

# Installation Instructions

## Nu•Tree Wall Guard

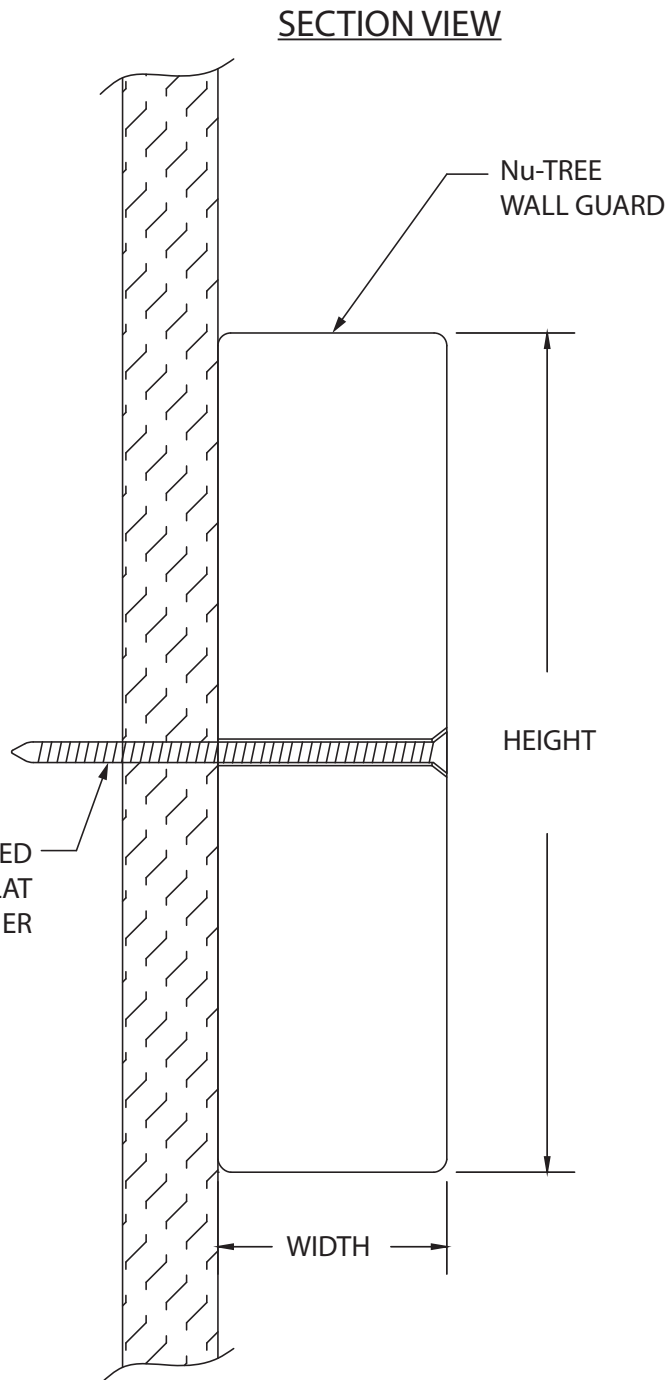
Please read all instructions before installing wallguard.

### Important

1. Acclimate materials 24 hrs before installation. Maintain temperature controlled environment after installation
2. Install in accordance with manufacturer's installation instructions. Failure to do so will void the warranty.

**NOTE:** HEIGHT AND WIDTH DEPENDENT ON PART NUMBER. CHART SUPPLIED ON NEXT PAGE

INSTALLER SUPPLIED  
3/16" DIAMETER FLAT  
HEAD FASTENER



### Recommended tools

Safety Glasses, Tape Measure, Level, Power Drill, Drill Bits, Power Miter Saw, 10" Blade with 60-80 Carbide Tipped Teeth

IPC.379/REV.5

Cape Cod Systems Corporation  
100 Ripley Rd. | P.O. Box 276 | Cohasset, MA 02025  
Phone/Text: 508-888-8555 | Fax: 508-888-8140  
ccs@capecodsystemscompany.com

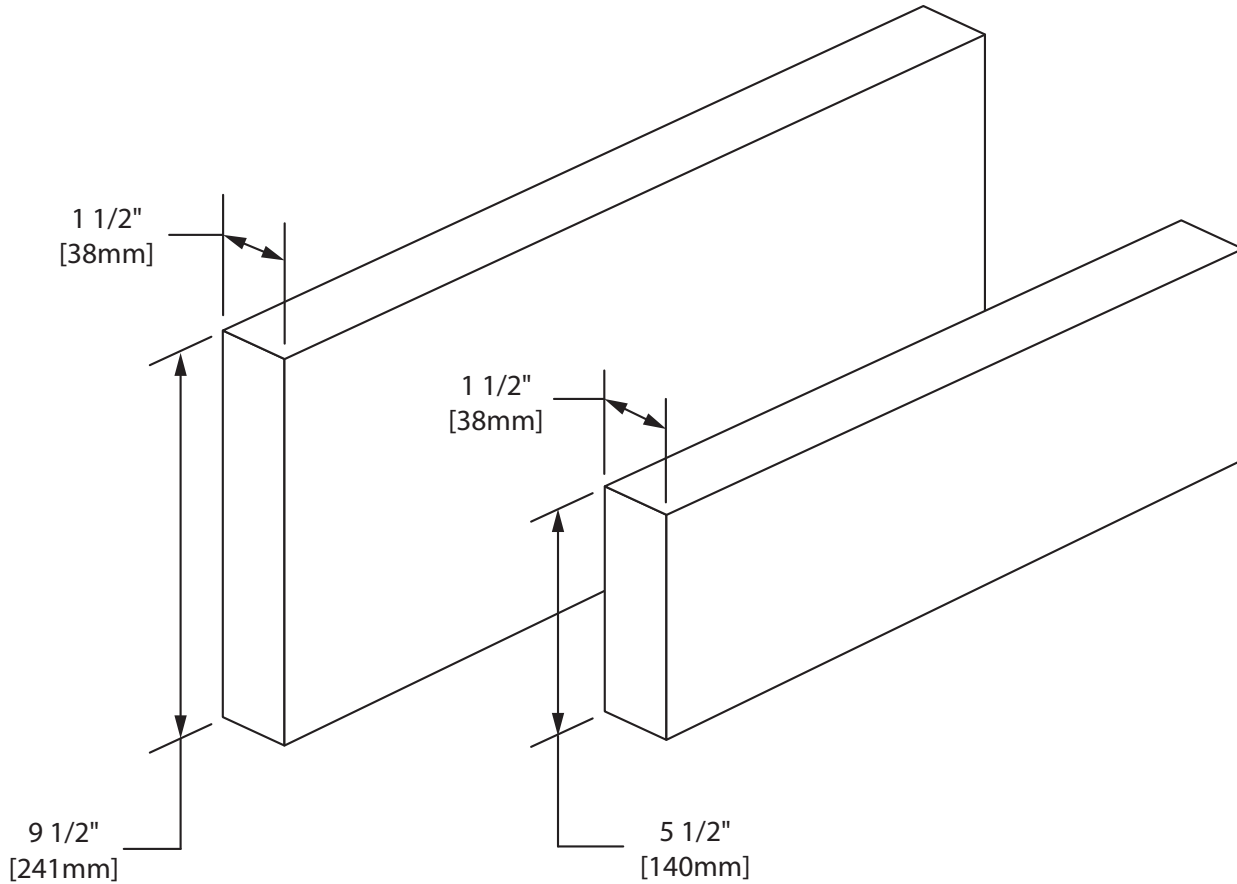


# Installation Instructions

## Nu•Tree Wall Guard

Please read all instructions before installing wallguard.

### COMPONENTS AND FASTENERS



Part Number	Width	Height	Length
NT-140	1/2"	8"	12'
NT-518	1"	5 1/2"	12'
NT-690	1 1/2"	5 1/2"	12'
NT-694	1 1/2"	7 1/2"	12'
NT-695	1 1/2"	9 1/2"	12'

Cape Cod Systems Corporation  
100 Ripley Rd. | P.O. Box 276 | Cohasset, MA 02025  
Phone/Text: 508-888-8555 | Fax: 508-888-8140  
ccs@capecodsystemscompany.com

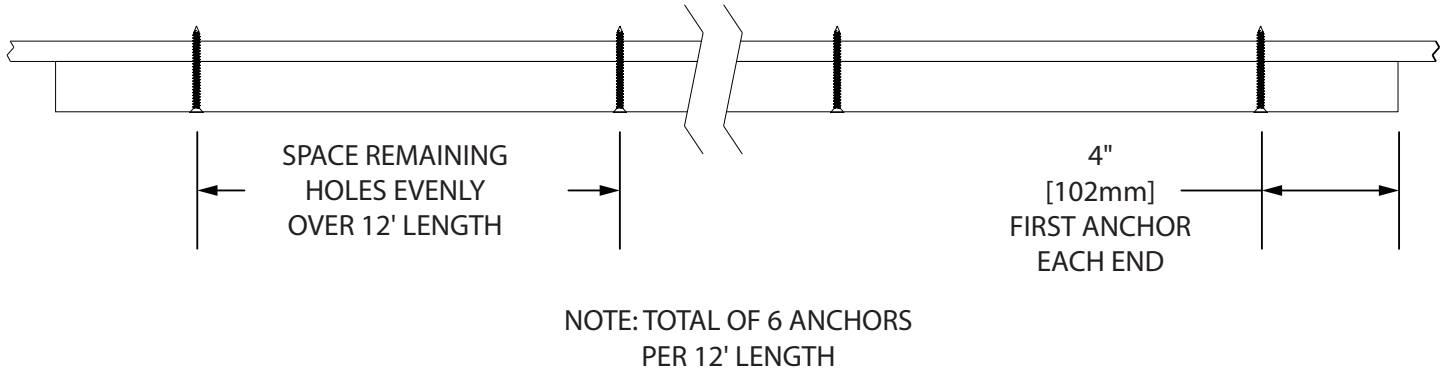


# Installation Instructions

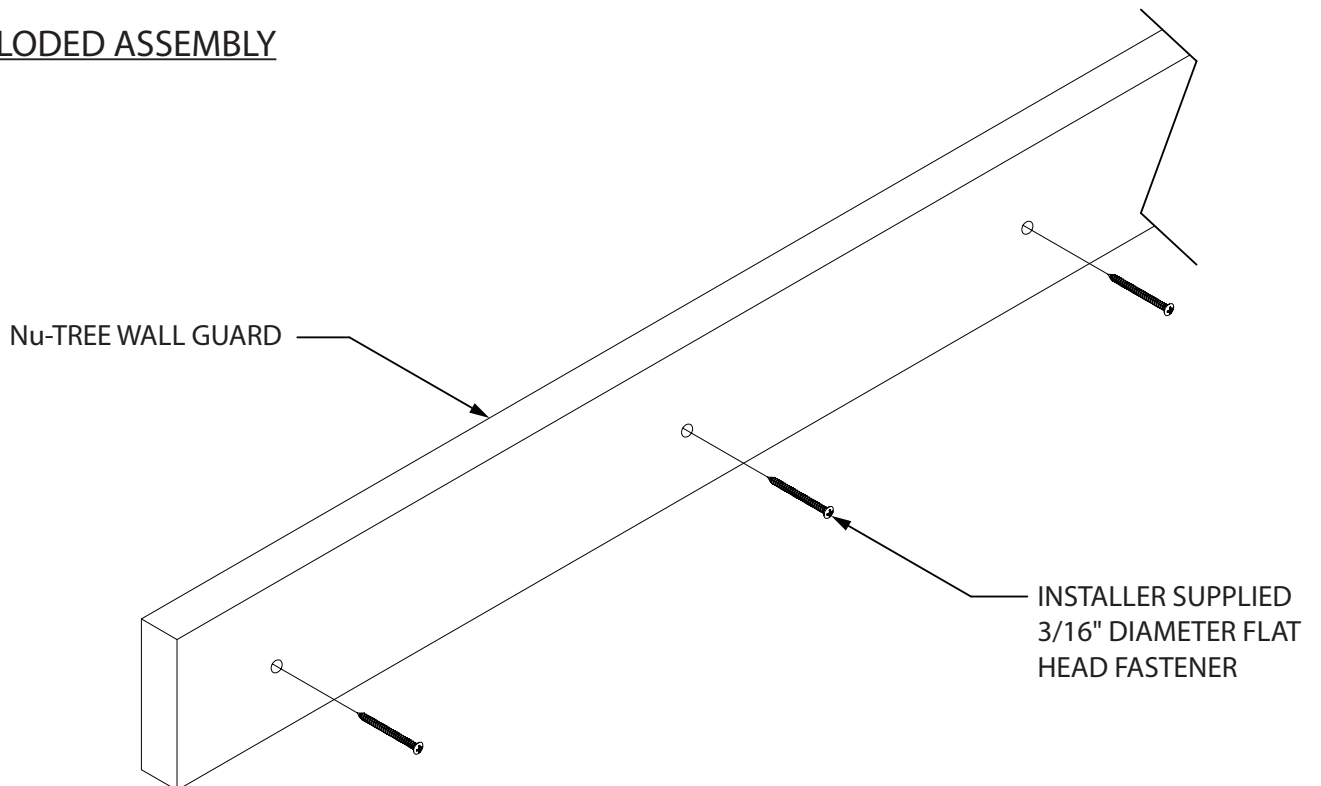
## Nu•Tree Wall Guard

Please read all instructions before installing wallguard.

### LAYOUT VIEW



### EXPLODED ASSEMBLY



Cape Cod Systems Corporation  
100 Ripley Rd. | P.O. Box 276 | Cohasset, MA 02025  
Phone/Text: 508-888-8555 | Fax: 508-888-8140  
ccs@capecodsystemscompany.com



