



CAPE COD SYSTEMS CORPORATION

Division of Acorn Engineering Company®



A MEMBER OF



LIGATURE RESISTANT TOILET PAPER HOLDER

The BestCare® Dignity Suite™ is a curated collection of ligature-resistant bathroom fixtures and accessories. Designed to create a peaceful and well-balanced environment, the Dignity Suite™ is stylish and sleek while simultaneously protecting patients' safety.

The Dignity Suite™ Toilet Paper Holder combines safety with patient friendly looks and function. The exposed portion is constructed of Blanco Gloss (OCC11) color Corterra® solid surface polymer resin to provide strength while eliminating sharp corners and is Greenguard Gold listed. The unit is designed to hold an industry standard issue roll of toilet paper. The exposed solid surface Toilet Paper Holder unit mounts to a concealed, in-wall galvanized steel Mounting Frame to reduce the possibility of removal from wall. Unit is intended for installation on a finished wall from the front side.



MODEL NUMBER AND OPTIONS SELECTION:

BASE MODEL NUMBER

WHD-TP Toilet Paper Holder Assembly

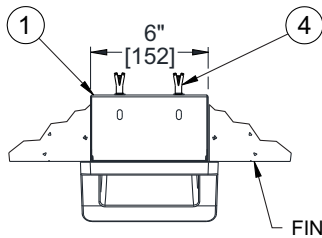
OPTIONS

-OCC Optional Corterra® Color - Specify _____
 (Refer to <https://www.whitehallmfg.com/product.aspx?ProductId=982> for available colors)

CAPE COD SYSTEMS CORPORATION

TEL. 1-888-227-8555

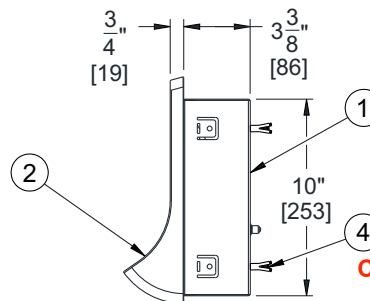
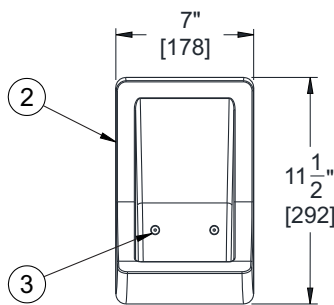
www.capecodsystems.com



NOTES:

1. Stainless Steel Mounting Frame Assembly
2. Corterra Toilet Paper Holder
3. 1/4" Vandal Resistant Fasteners
4. Wall Mounting Anchors (By Others)

FINISHED WALL



WHD-TP

CAPE COD SYSTEMS CORPORATION
TEL. 1-888-227-8555



Member of U.S. Green Building Council



Recyclable Product

DISCLAIMER:

This product is designed to decrease the probability that it may be utilized as an apparatus for ligature. It is not a replacement for professionals who are trained in the proper evaluation, management and supervision of persons at risk of suicide.

⚠ WARNING: Cancer and Reproductive Harm - www.P65Warnings.ca.gov

SELECTION SUMMARY & APPROVAL FOR MANUFACTURING

Model Number & Options _____ Quantity _____
 Company _____ Date _____
 Contact _____ Title _____
 Approval for Manufacturing/Signature _____

All dimensions are nominal and subject to manufacturer's change without notice. Whitehall assumes no responsibility for use of void or superseded data © Whitehall Manufacturing, Member of Morris Group International. Please visit www.whitehallmfg.com for most current specifications.