



**Whitehall**  
Manufacturing™

A MEMBER OF  
MORRIS GROUP  
INTERNATIONAL

**CAPE COD SYSTEMS  
CORPORATION  
TEL. 1-888-227-8555**

**Whitehall  
Ligature Resistant  
ADA & CBC (Calif. Title 24)  
Compliant Wall Shower  
with Fixed Showerhead**

**Models:  
WH418ADA-CSHS  
WH418ADA-CSHS-LRD**

**Best-Care™ Healthcare and Ligature  
Resistant Products**



WH418ADA-CSHS-R

Fixture May Show Some Available Options

**Ligature Resistant Accessible Shower**

**Shower assembly** includes Control Valve, Diverter Valve, dual Conical Showerheads with Swivel adjustment, and Recessed Soap Dish option. Lower Shower Head is provided in lieu of Hand Held Shower [ADA and CBC 11B: 608.6; Exception(\*See Note)]. Shower is to be installed on a finished wall and serviced through a removable front Panel. When installed properly and in accordance with all other Shower Stall Type requirements, unit will conform with 2010 ADA Standards and 2019 California Access Compliance Reference Manual with DSA Access Compliance Code Cycle Supplement, Effective July 1, 2021.

*\*Note: Exception does not apply to "Medical Care and Long-term Care Facilities". Refer to applicable Accessibility Guidelines for complete details.*

**Note: Compliance is subject to the interpretation and requirements of the local Code Authority.**

**Shower Panel** is fabricated from 18 gage, type 304 stainless steel with a white powder coat finish. In-wall stainless steel Mounting Frame is provided. Controls are 38" to 48" from the finished floor and should be located on wall in accordance with shower stall type and configuration [ADA & CBC 11B: 608.5.1, 608.5.2, 608.5.3]. A stainless steel Recessed Soap Dish is offered and located at 40" (max) from the finished [CBC 11B-608.10].

**Conical Showerheads with Swivel Adjustment** are provided at 6'-0" and 48" (max) discharge height. Ligature resistant Swivel Nozzle provides both vertical and horizontal adjustment [CBC 11B: 608.3.6, Exception]. Showerheads are chrome plated brass and provided with 1.5 GPM flow restrictor.

**Temperature / Pressure Balancing Mixing Valve**

is IAPMO Certified and delivers blended water to meet performance requirements of ASSE 1016-2011. Control Handle is patented Tri-lever Ligature Resistant design. Valve conforms with lead free requirements of NSF61, Section 9, 1997 and CHSC 116875. Refer to WHSV16 series submittal for additional Data.

**Diverter Valve** is provided to allow Upper Showerhead and Handheld Shower Spray to be operated independently [CBC 11B.608.6]. Includes patented ligature resistant compliant Tri-Lever Handle.

**Vandal Resistant Stainless Steel Fasteners** are provided to complete shower assembly. Wall Fasteners and Wall Anchors are not furnished.

**GUIDE SPECIFICATION**

Provide and install Best-Care™ Ligature Resistant ADA and CBC (California Title 24) Compliant Accessible Shower. Front Mounted Shower Panel provides access and shall be fabricated of 18 gage type 304 stainless steel, powder coated white. Wall Mounting Frame with Plaster Flanges shall be fabricated from type 304 stainless steel. Fixture shall be furnished with upper and lower ligature resistant Showerheads with Swivel Nozzle adjustment and 1.5 GPM flow rate. Provide Diverter Valve and ASSE 1016 Compliant Temperature/Pressure Balance Mixing Valve. Both Controls shall be provided with Chrome Plated, Patented ADA Compliant Ligature Resistant Tri-Lever Handles. Housing shall include stainless steel Recessed Soap Dish (Specify). Fixture shall be furnished with necessary fasteners for proper installation.

Please visit [www.whitehallmfg.com](http://www.whitehallmfg.com) for most current specifications.



Complies with the following standards:



Whitehall Mfg. > P.O. Box 3527 > City of Industry, CA 91744 > (800) 782-7706 > (626) 968-6681 > Fax (626) 855-4862

**WH418ADA-CSHS**

New: 01/14/2022



**CAPE COD SYSTEMS CORPORATION**

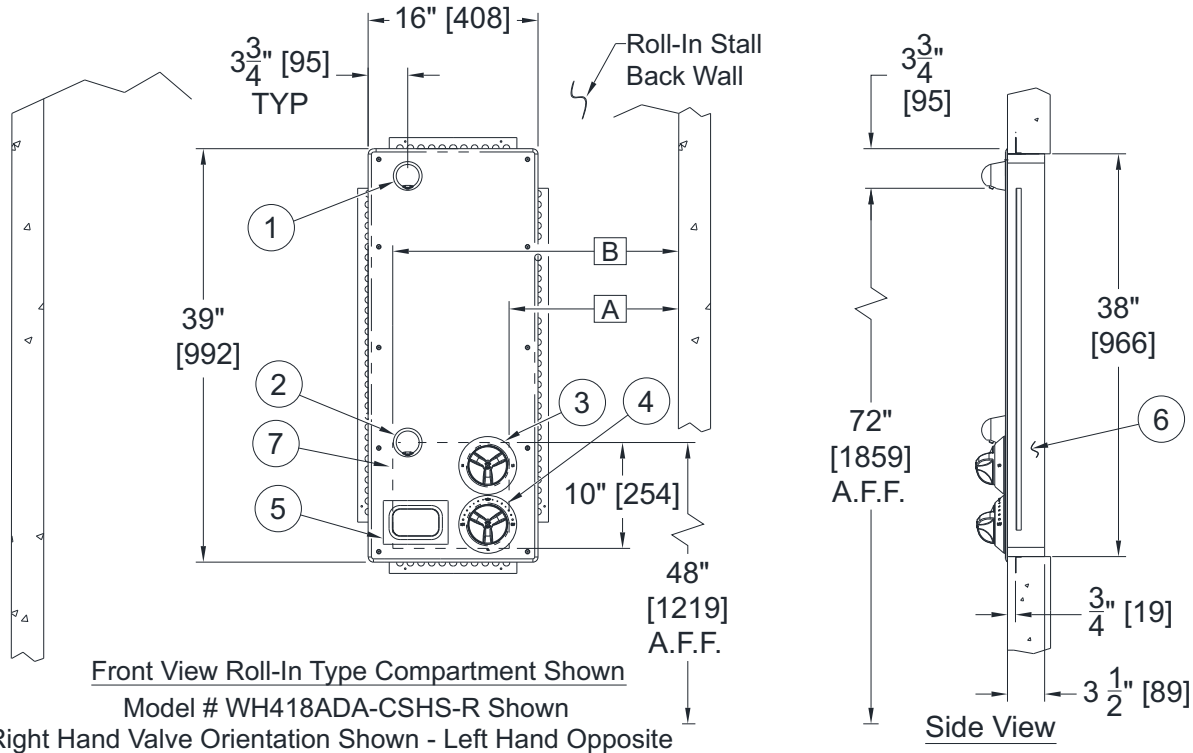
**TEI. 1-888-227-8555**

**www.capecodsystems.com**

**MODEL NUMBER AND OPTIONS SELECTION:**

**BASE MODEL NUMBER**

- WH418ADA-CSHS-L Flush Mount ADA/CBC Wall Shower with Fixed Showerhead - Left Hand Valves
- WH418ADA-CSHS-R Flush Mount ADA/CBC Wall Shower with Fixed Showerhead - Right Hand Valves
- WH418ADA-CSHS-LRD-L Flush Mount ADA/CBC Wall Shower with Fixed Head, Less Recessed Soap Dish - L.H. Valves
- WH418ADA-CSHS-LRD-R Flush Mount ADA/CBC Wall Shower with Fixed Head, Less Recessed Soap Dish - R.H. Valves



**Front View Roll-In Type Compartment Shown**

Model # WH418ADA-CSHS-R Shown

Right Hand Valve Orientation Shown - Left Hand Opposite

**Side View**

**NOTES:**

1. Conical Shower Head with Swivel Adjustment: CSHS series at 72" Discharge.
2. Conical Shower Head with Swivel Adjustment: CSHS series at 48" Discharge max.
3. Diverter Valve: WHDIV with Tri-Lever Handle (Standard).
4. Control Valve: WHSV16 Mixing Valve with Tri-Lever Handle (Standard).
5. Recessed Soap Dish: WH1832 series (Specify).
6. Wall Mounting Frame with Plaster Flanges.
7. Control Area: CBC Standard Roll-In Stall Type Shown. See Dimensional Details.



**WH-CSHS Detail**

Dimensional Details		
	A Min.	B Max.
ADA	0"	*27"
CBC	16"	27"

\*ADA dim shown is Roll-In Stall with Seat. Refer to Guidelines for complete details.

**DISCLAIMER:**

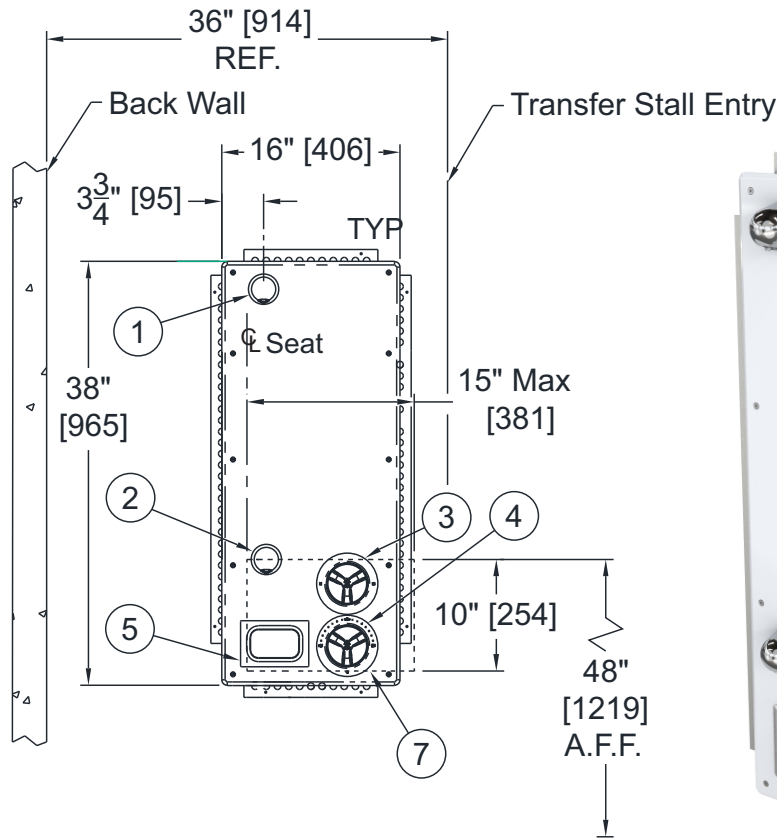
This product is designed to decrease the probability that it may be utilized as an apparatus for ligature. It is not a replacement for professionals who are trained in the proper evaluation, management and supervision of persons at risk of suicide.

**WARNING:** Cancer and Reproductive Harm - [www.P65Warnings.ca.gov](http://www.P65Warnings.ca.gov)

**SELECTION SUMMARY & APPROVAL FOR MANUFACTURING**

Model Number & Options \_\_\_\_\_ Quantity \_\_\_\_\_  
 Company \_\_\_\_\_ Date \_\_\_\_\_  
 Contact \_\_\_\_\_ Title \_\_\_\_\_  
 Approval for Manufacturing/Signature \_\_\_\_\_

**Compliance Subject to Local Code Authority.**  
 All dimensions are nominal and subject to manufacturer's change without notice. Whitehall assumes no responsibility for use of void or suspended data © Whitehall Manufacturing, Member of Morris Group International.



Front View Transfer Type Compartment Shown  
 Model # WH418ADA-CSHS-R Shown  
 Right Hand Valve Orientation Shown - Left Hand Opposite

**NOTES:**

1. Conical Shower Head with Swivel Adjustment: CSHS series at 72" Discharge.
2. Conical Shower Head with Swivel Adjustment: CSHS series at 48" Discharge max.
3. Diverter Valve: WHDIV with Tri-Lever Handle (Standard).
4. Control Valve: WHSV16 Mixing Valve with Tri-Lever Handle (Standard).
5. Recessed Soap Dish: WH1832 series (Specify).
6. Wall Mounting Frame with Plaster Flanges.
7. Control Area: ADA/CBC Standard Transfer Stall Type Shown.

\* Dimensions shown are Transfer Stall Type with Seat.  
 Refer to appropriate Accessibility Guidelines for complete details.

**CAPE COD SYSTEMS CORPORATION**  
 TEL. 1-888-227-8555  
[www.capecodsystems.com](http://www.capecodsystems.com)

**DISCLAIMER:**

This product is designed to decrease the probability that it may be utilized as an apparatus for ligature. It is not a replacement for professionals who are trained in the proper evaluation, management and supervision of persons at risk of suicide.

**⚠ WARNING:** Cancer and Reproductive Harm - [www.P65Warnings.ca.gov](http://www.P65Warnings.ca.gov)

**SELECTION SUMMARY & APPROVAL FOR MANUFACTURING**

Model Number & Options \_\_\_\_\_ Quantity \_\_\_\_\_  
 Company \_\_\_\_\_ Date \_\_\_\_\_  
 Contact \_\_\_\_\_ Title \_\_\_\_\_  
 Approval for Manufacturing/Signature \_\_\_\_\_

**Compliance Subject to Local Code Authority.**  
 All dimensions are nominal and subject to manufacturer's change without notice. Whitehall assumes no responsibility for use of void or suspended data © Whitehall Manufacturing, Member of Morris Group International.