



**Whitehall Manufacturing®**  
 Manufacturer of Healthcare and Rehabilitation Products since 1946

**Dignity Suite™** Healthcare and Ligature Resistant Products

**CAPE COD SYSTEMS CORPORATION**  
**TEL. 1-888-227-8555**

**Whitehall  
 Ligature Resistant  
 Hydraulic Flush  
 Valve Access Panel  
 For Use With Ligature  
 Resistant Grab Bar**

Model WH2898D

[www.capecodsystems.com](http://www.capecodsystems.com)

Division of Acorn Engineering Company®



A MEMBER OF



WH2898D

The BestCare® Dignity Suite is a curated collection of ligature-resistant bathroom fixtures and accessories. Designed to create a peaceful and well-balanced environment, the Dignity Suite is stylish and sleek while simultaneously protecting patients' safety.

The Dignity Suite Hydraulic Operated Flush Valve Panel combines patient safety and function to allow the installer access to the flush valve without interference from the Ligature Resistant Grab Bar. The upper and lower removable Access Panels are fabricated of 14 gauge type 304 stainless steel and include 1/4" vandal resistant stainless steel fasteners. The Access Panels are secured to an in-wall mounting frame fabricated of 16 gauge type 304 stainless steel. All exposed surfaces include Snow White (EG10) Enviro-glaze™ color powder coated finish.

The assembly is provided with a concealed Hydraulic Operated Flush Valve complete with Union Angle Stop and includes a ligature resistant Hydraulic Pushbutton. The Flush Valve is available in both 1.28 and 1.6 gallons per flush (Must specify).

The assembly is intended for use with the Whitehall 36" wide Ligature Resistant Grab Bar to complete the installation. Refer to Whitehall Grab Bar model WHD-GB36. When installed at required dimensions, the entire assembly is intended to conform with ADA standards. (Note: ADA compliance is always subject to the Local Code Authority.)

**GUIDE SPECIFICATION**

Provide and install Whitehall WH2898D ADA compliant Hydraulic Operated Flush Valve Access Panel. Upper and lower removable Access Panels to be fabricated of 14 gauge type 304 stainless steel and include 1/4" vandal resistant stainless steel fasteners. The Access Panels are to secure to an in-wall mounting frame fabricated of 16 gauge type 304 stainless steel. All exposed surfaces shall include Snow White (EG10) Enviro-glaze™ color powder coated finish. Provided complete concealed Hydraulic Operated Flush Valve with ligature resistant Pushbutton. The Flush Valve shall be [1.28 GPF / 1.6 GPF] (Specify GPF). Install in accordance with ADA standards.



WH2898D SHOWN WITH WHD-GB36 GRAB BAR

Please visit [www.whitehallmfg.com](http://www.whitehallmfg.com) for most current specifications.



Member of U.S. Green Building Council



Recyclable Product



Water Conserving Product

Whitehall Mfg. • P.O. Box 3527 • City of Industry, CA 91744 • (800) 782-7706 • (626) 968-6681 • Fax (626) 855-4862

**WH2898D**

Revised: 09/28/21



**CAPE COD SYSTEMS CORPORATION**  
**TEL. 1-888-227-8555**

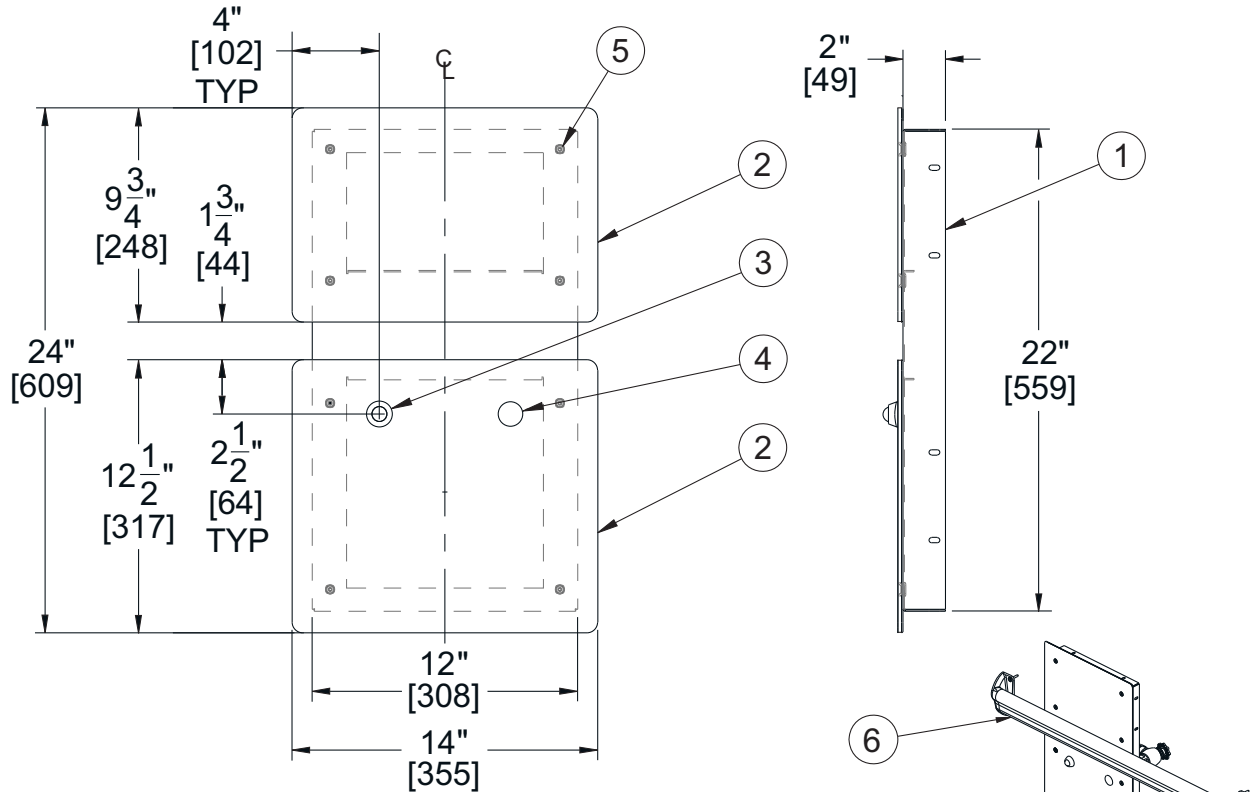
**MODEL AND OPTIONS SELECTION:**

**BASE MODEL NUMBER**

- WH2898D-1.28 Ligature Resistant Flush Valve Cover With 1.28 GPF Hydraulic Operated Flush Valve (EG10 Snow White)
- WH2898D-1.6 Ligature Resistant Flush Valve Cover With 1.6 GPF Hydraulic Operated Flush Valve (EG10 Snow White)

**OPTIONS**

- EG30 Dignity Blue Enviro-glaze™ color



**MODEL# WH2898D**

**NOTES:**

1. In-wall Mounting Frame
2. Upper and Lower Access Panels
3. Ligature Resistant Pushbutton
4. Stainless Steel Blank Escutcheon
5. 1/4" Vandal Resistant Fasteners
6. Whitehall WHD-GB36 Grab Bar (Shown for reference only)
7. Whitehall BestCare® Toilet WH2142-ADA-W (Shown for reference only)

All dimensions are nominal and subject to manufacturer's change without notice. Whitehall assumes no responsibility for use of void or superseded data © Whitehall Manufacturing, Member of Morris Group International. Please visit [www.whitehallmfg.com](http://www.whitehallmfg.com) for most current specifications.

**⚠ WARNING: Cancer and Reproductive Harm - [www.P65Warnings.ca.gov](http://www.P65Warnings.ca.gov)**

**DISCLAIMER:**

This product is designed to decrease the probability that it may be utilized as an apparatus for ligature. It is not a replacement for professionals who are trained in the proper evaluation, management and supervision of persons at risk of suicide.

**SELECTION SUMMARY & APPROVAL FOR MANUFACTURING**

Model Number & Options \_\_\_\_\_ Quantity \_\_\_\_\_  
 Company \_\_\_\_\_ Date \_\_\_\_\_  
 Contact \_\_\_\_\_ Title \_\_\_\_\_  
 Approval for Manufacturing/Signature \_\_\_\_\_