



Whitehall Manufacturing
 Manufacturer of Healthcare and Rehabilitation Products since 1946

BestCare
 Patients, Not Prisoners

**Healthcare and Ligature
 Resistant Products**

CAPE COD SYSTEMS CORPORATION

Division of
 Acorn Engineering Company



A MEMBER OF



**Ligature Resistant Surface Fire
 Extinguisher Cabinet**

The BestCare Fire Extinguisher Cabinets are designed to provide utility while ensuring patient's safety. Surface Mounted Cabinet is designed with 3 sloping edges that protrude 5-7/8" from the surface. Door and Trim are 20 gage steel. The cabinet doors are attached with a continuous hinge and equipped with a cylinder lock. The door is a solid door. The tub is constructed of 20 gage steel. All components are powder coated with an electrostatically-applied, thermally-fused, recoatable white polyester finish.



Patent Pending

WH1754-A

MODEL NUMBER AND OPTIONS SELECTION:

**CAPE COD SYSTEMS CORPORATION
 TEL. 1-888-227-8555**

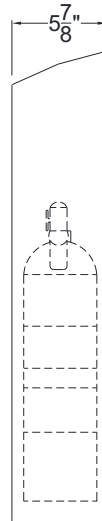
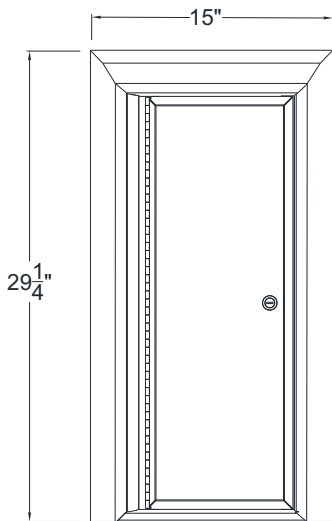
BASE MODEL NUMBER

WH1754-A

Ligature Resistant Surface Mounted Fire Extinguisher Cabinet



* Extinguisher Sold Separately



**Up to 5" Diameter
 Fire Extinguisher**

**CAPE COD SYSTEMS CORPORATION
 TEL. 1-888-227-8555
 www.capecodsystems.com**

DISCLAIMER:

This product is designed to decrease the probability that it may be utilized as an apparatus for ligature. It is not a replacement for professionals who are trained in the proper evaluation, management and supervision of persons at risk of suicide.

WARNING: Cancer and Reproductive Harm - www.P65Warnings.ca.gov

SELECTION SUMMARY & APPROVAL FOR MANUFACTURING

Model Number & Options _____ Quantity _____
 Company _____ Date _____
 Contact _____ Title _____
 Approval for Manufacturing/Signature _____



All dimensions are nominal and subject to manufacturer's change without notice. Whitehall assumes no responsibility for use of void or superseded data © Whitehall Manufacturing, Member of Morris Group International. Please visit www.whitehallmfg.com for most current specifications.

Whitehall Mfg. • P.O. Box 3527 • City of Industry, CA 91744 • (800) 782-7706 • (626) 968-6681 • Fax (626) 855-4862

WH1754-A

New 04/13/22