



**CAPE COD SYSTEMS CORPORATION**

Division of  
 Acorn Engineering Company®

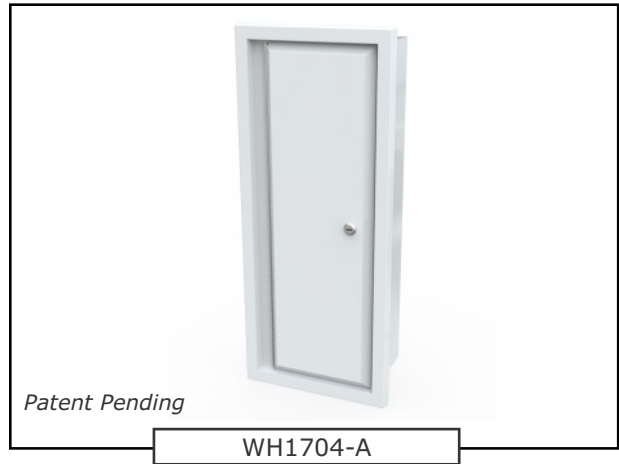


A MEMBER OF



**Ligature Resistant Recessed Fire  
 Extinguisher Cabinet**

The BestCare Fire Extinguisher Cabinets are designed to provide utility while ensuring patient's safety. Recessed Cabinet is designed with sloping edges that protrude 3/4" from the surface. Door and Trim are 20 gage steel. The cabinet doors are attached with a continuous hinge and equipped with a cylinder lock. The door is a solid door. The tub is constructed of 20 gage steel. All components are powder coated with an electrostatically-applied, thermally-fused, re-coatable white polyester finish.



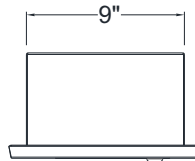
**MODEL NUMBER AND OPTIONS SELECTION:**

**CAPE COD SYSTEMS CORPORATION**  
**TEL. 1-888-227-8555**

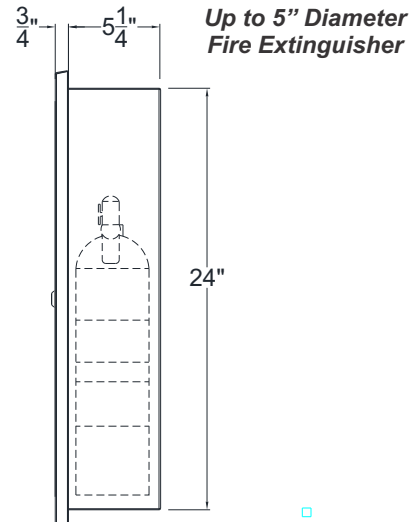
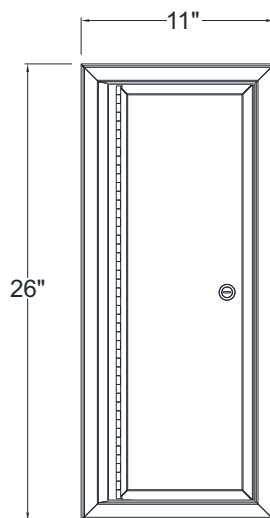
**BASE MODEL NUMBER**

- WH1704-A Ligature Resistant Recessed Fire Extinguisher Cabinet

All dimensions are nominal and subject to manufacturer's change without notice. Whitehall assumes no responsibility for use of void or superseded data © Whitehall Manufacturing, Member of Morris Group International. Please visit [www.whitehallmfg.com](http://www.whitehallmfg.com) for most current specifications.



\* Extinguisher Sold Separately



| Wall Opening Required |        |
|-----------------------|--------|
| Width                 | 10"    |
| Height                | 25"    |
| Depth                 | 5-1/2" |

**CAPE COD SYSTEMS CORPORATION**  
**TEL. 1-888-227-8555**  
**[www.capecodsystems.com](http://www.capecodsystems.com)**



Member of  
 U.S. Green  
 Building  
 Council



Recyclable  
 Product

**⚠ WARNING: Cancer and Reproductive Harm - [www.P65Warnings.ca.gov](http://www.P65Warnings.ca.gov)**

**SELECTION SUMMARY & APPROVAL FOR MANUFACTURING**

Model Number & Options \_\_\_\_\_ Quantity \_\_\_\_\_  
 Company \_\_\_\_\_ Date \_\_\_\_\_  
 Contact \_\_\_\_\_ Title \_\_\_\_\_  
 Approval for Manufacturing/Signature \_\_\_\_\_