

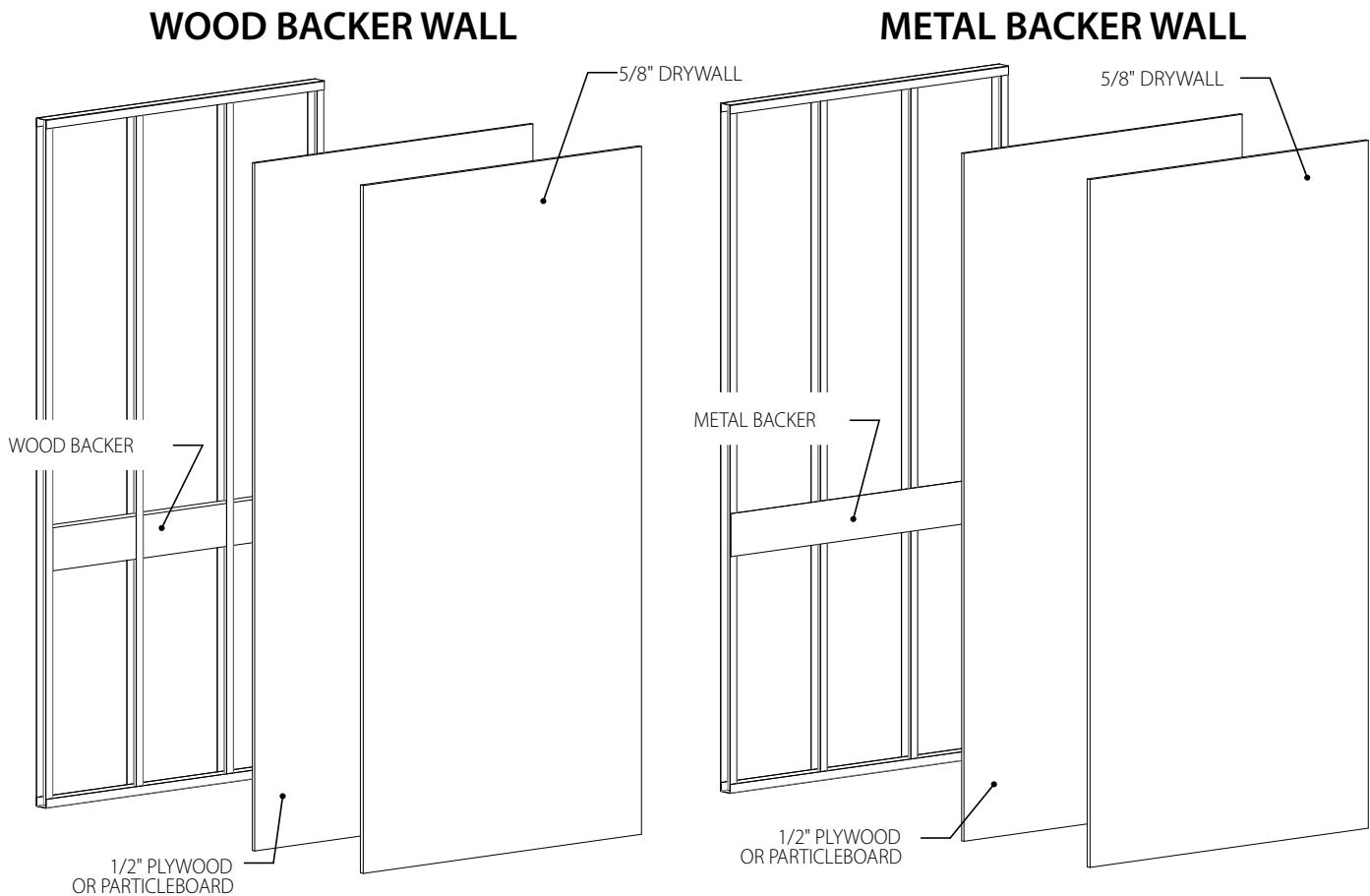
Installation Instructions

B900 Handrail

Please read all instructions before installing handrail. Note: Install product in environmentally controlled conditions. Acclimate the product to room temperature 24 hours before installation.

Wall Construction: There are two options for wall construction when installing a bariatric handrail. See Figure 1.

FIG. 1



Wood Backer: Construct walls with 20-gauge metal framing with vertical studs spaced 16" on center. Horizontal wood strapping to be 2x6 board attached to studs with 1/2" pan head framing screw. Attach a single layer of 1/2" plywood or particleboard to the metal framing with #8 x 2-1/2" coarse thread drywall screws followed by 5/8" gypsum board.

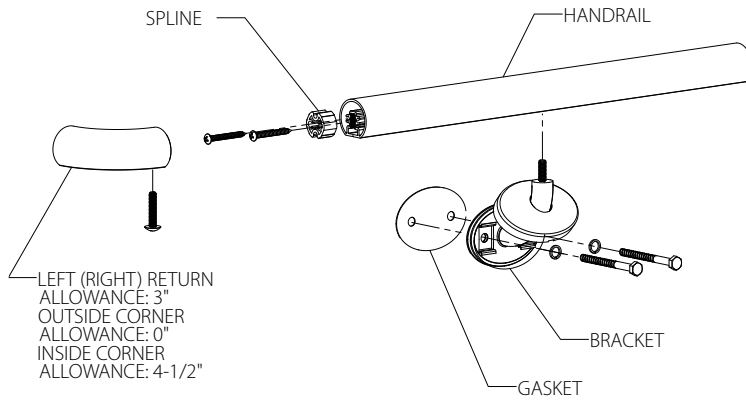
Metal Backer: Construct walls with 20-gauge metal framing with vertical studs spaced 16" on center. Horizontal metal strapping is to be 16 gauge x 6" wide attached to studs with 1/2" pan head framing screw. Attach a single layer of 1/2" plywood or particleboard to the metal framing with #8 x 2-1/2" coarse thread drywall screws, followed by 5/8" gypsum board.

IPC.1518/REV.2

Installation Instructions

B900 Handrail

FIG. 2



Handrail Installation

1. Cut the aluminum handrail to the desired lengths leaving allowances for returns, outside corners and inside corners. Break sharp edges with fine Emory cloth. **See Figure 2**

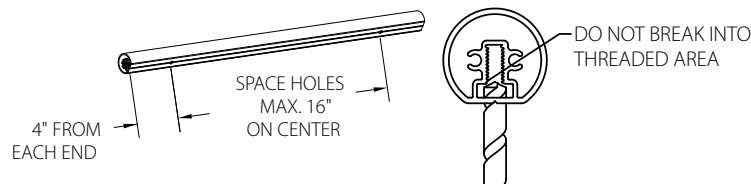
Handrail Allowances:

Return – 3"

Inside corner – 4-1/2"

Outside corner – 0"

FIG. 3



2. Bracket Spacing: Use brackets 4" from each end and spaced a maximum of 16" (406mm). Drill 1/4" holes on the bottom of the handrail aluminum for brackets. Be careful to drill only through the outer wall of the handrail aluminum. **See Figure 3.**

FIG. 4a

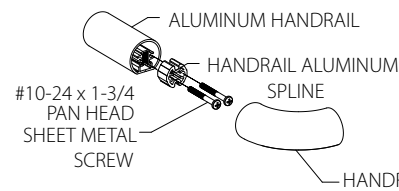
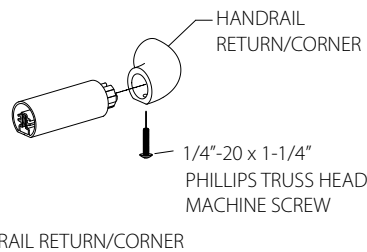


FIG. 4b

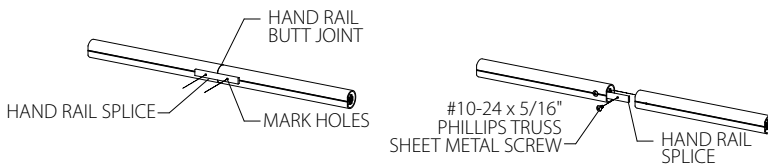


3. To attach returns and corners: a. Attach splines to handrail using two #10 x 1-3/4" sheet metal screws per spline. **See Figure 4a.**

b. Attach returns and corners to handrail by sliding component over the spline and secure with a 1/4"-20 X 1-1/4" Phillip Truss Head Machine Screw.

See Figure 4b.

FIG. 5

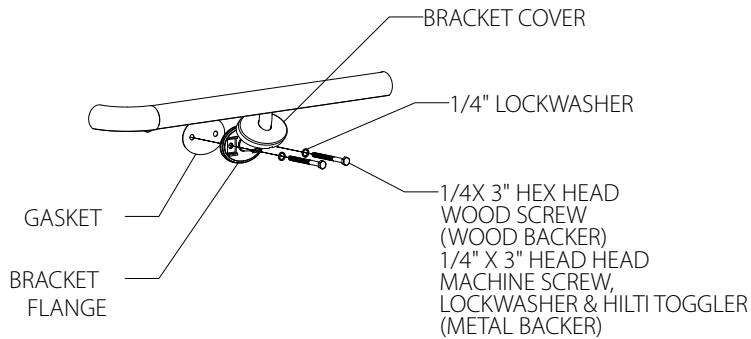


4. For lengths longer than 12', use a splice to join sections. Butt the two sections together, using a splice as a template, mark the hole locations. Drill 1/4" holes on the bottom of the handrail aluminum for the splice. Connect the two pieces using the splice and two #10-24 x 5/16" Phillips truss head screws. (Note: splice must be positioned inside handrail). **See Figure 5.** When using a splice, install brackets 4" on either side of splice.

Installation Instructions

B900 Handrail

FIG. 6



- Slip stainless steel cover over the bracket post. Screw brackets into the holes on the bottom of the rail and align mounting flanges.
- Snap a chalk line on the wall 3-9/16" below the top of the handrail. Drill 1/8" pilot hole (wood backer installation-**See Figure 6a**) or 3/4" holes for toggle bolts (metal backer installation-**See Fig. 6b**) Position a black gasket on the back of each bracket. Attach the stainless steel brackets and handrail assemble to the wall. Level and tighten bracket to the wall. Snap stainless steel bracket cover on the bracket flange. **See Figure 6.**

Fig. 6a. WOOD BACKER

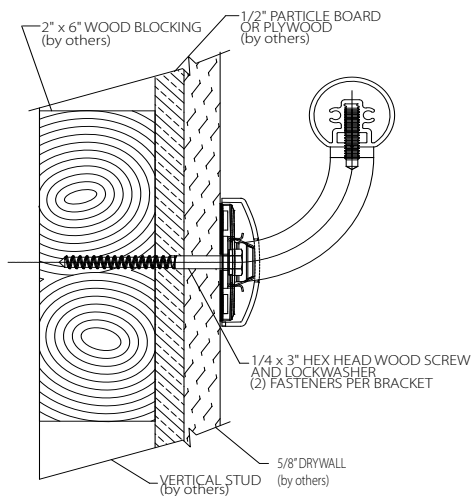


Fig. 6b. METAL BACKER

