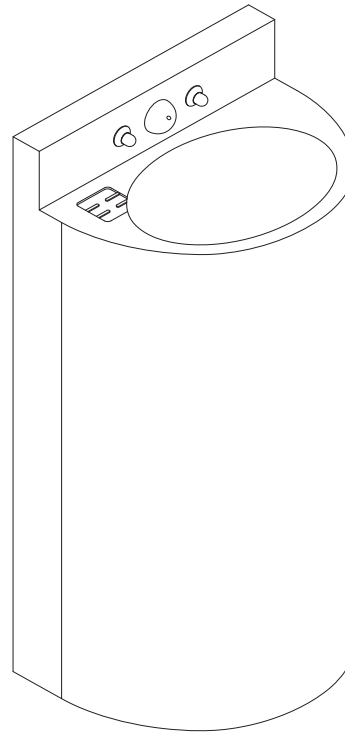


ASHS-1013-06 18" Wide Rear Mounted Ligature-resistant Lavatory

**CAPE COD SYSTEMS
CORPORATION
TEL: 1-888-227-8555**



(Unit may be shown with optional features)

To specify fixture and accessories, use the Model Number and Options page.

Example: To specify an 18" Wide, Rear Mounted, Ligature-resistant Lavatory with ligature-resistant bubbler and dual temp. pneumatic metering valve, ligature-resistant pneumatic push buttons, and elbow waste

Use the following Willoughby Model Number:

ASHS-1013-06-BPH-PML2-PBH-EB

Recommended Specifications

18" Wide, Rear Mounted, Ligature-resistant Lavatory shall be:
Willoughby Model No. **ASHS-1013-06**
(Select from model number and options list on next page)

Fixture shall be fabricated from 14 GA., Type 304 stainless steel. The construction shall be all welded, with exposed stainless surfaces polished to a #4 satin finish.

Standard lavatory shall include:

- Oval-shaped bowl, 13" x 9-1/2" x 6" deep
- Stainless steel ligature-resistant bubbler/filler
- Slow drain with air vent
- Elbow waste (1-1/2" F.I.P.)
- Self-draining soap dish

Anchoring shall be by standard 4-point system: threaded rods, nuts and washers shall be furnished for walls up to 8" thick.
Unit shall require chase area for installation and maintenance.

MODEL NUMBER AND OPTIONS:

1.) Base Model Number:

- ASHS-1013-06 18" Wide, Rear Mounted, Ligature-resistant Lavatory

2.) Bubblers Selection:

- BPH Ligature-resistant Bubbler/Filler (Standard)
 FLH Ligature-resistant Lav. Filler

3.) Lavatory Valve Selection:

- NV No Valve
 PSL1 Single Temp. Pneumatic Non-metering
 PSL2 Dual Temp. Pneumatic Non-metering
 PML1 Single Temp. Pneumatic Metering
 PML2 Dual Temp. Pneumatic Metering
 E1L1 Single Temp. Electronic (pick control)*
 E1L2 Dual Temp. Electronic (pick control)*

Valve Manifold Options:

Pneumatic or Electronic Only:

- MA2 MA3 MA4

4.) Lavatory Valve Actuation:

- PBH Ligature-resistant Push Buttons
 EPBH Ligature-resistant Electronic Push Buttons*
 PZPB Piezo Electronic Push Buttons*

5.) Electronic Controls* (Must Use Electronic Push Button):

- WUCC-3010 Pneutronic WMSII

(The WUCC-3010 Control can be used to pair a Lavatory with a Toilet)

6.) Lavatory Waste:

- EB Elbow Waste (Standard)
 PT Integral 'P'-Trap
 LWE Lavatory Waste Extension
 OV Lavatory Overflow
 LW1 Thru-Wall Extension, 'P'-Trap
 LW2 Thru-Wall Extension and Clean-Out
 SLOW Slow Drain (Standard)

7.) Options:

- MT Wall Template
 TF24H Hard-wired Transformer, 110VAC to 24VAC*
 TF24P Plug-in Transformer, 110VAC to 24VAC*
 TH1 Single Towel Hook
 Right Left
 TH2 Dual Towel Hook
 Right Left
 WS Wall Sleeve (Requires Accessible Chase)
 Other: _____
 Other: _____

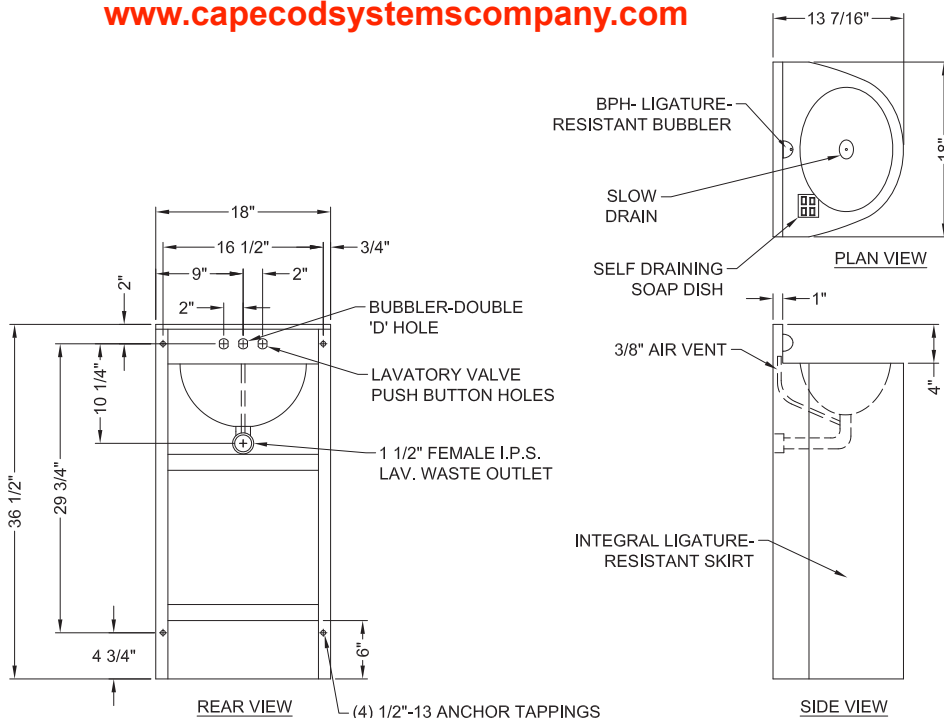
*(Req. 110V power through ground fault interrupter (GFCI) receptacle)

**CAPE COD SYSTEMS
CORPORATION**
TEL: 1-888-227-8555

Approved For Manufacturing By: _____ Date: _____ Company: _____
 Wall Thickness: _____ Wall Type: _____

www.capecodsystemscompany.com

VERIFY ALL DIMENSIONS WITH FACTORY PRIOR TO ROUGH-IN
 WILLOUGHBY RESERVES THE RIGHT TO MAKE CHANGES IN DESIGN AND DIMENSIONS WITHOUT FORMAL NOTICE AND WITHOUT INCURRING OBLIGATION.



visit our website at www.willoughby-ind.com

5105 West 78th Street • Indianapolis, IN. 46268

