

Installation Instructions

5000/5055/G2-5000 Wall Guard

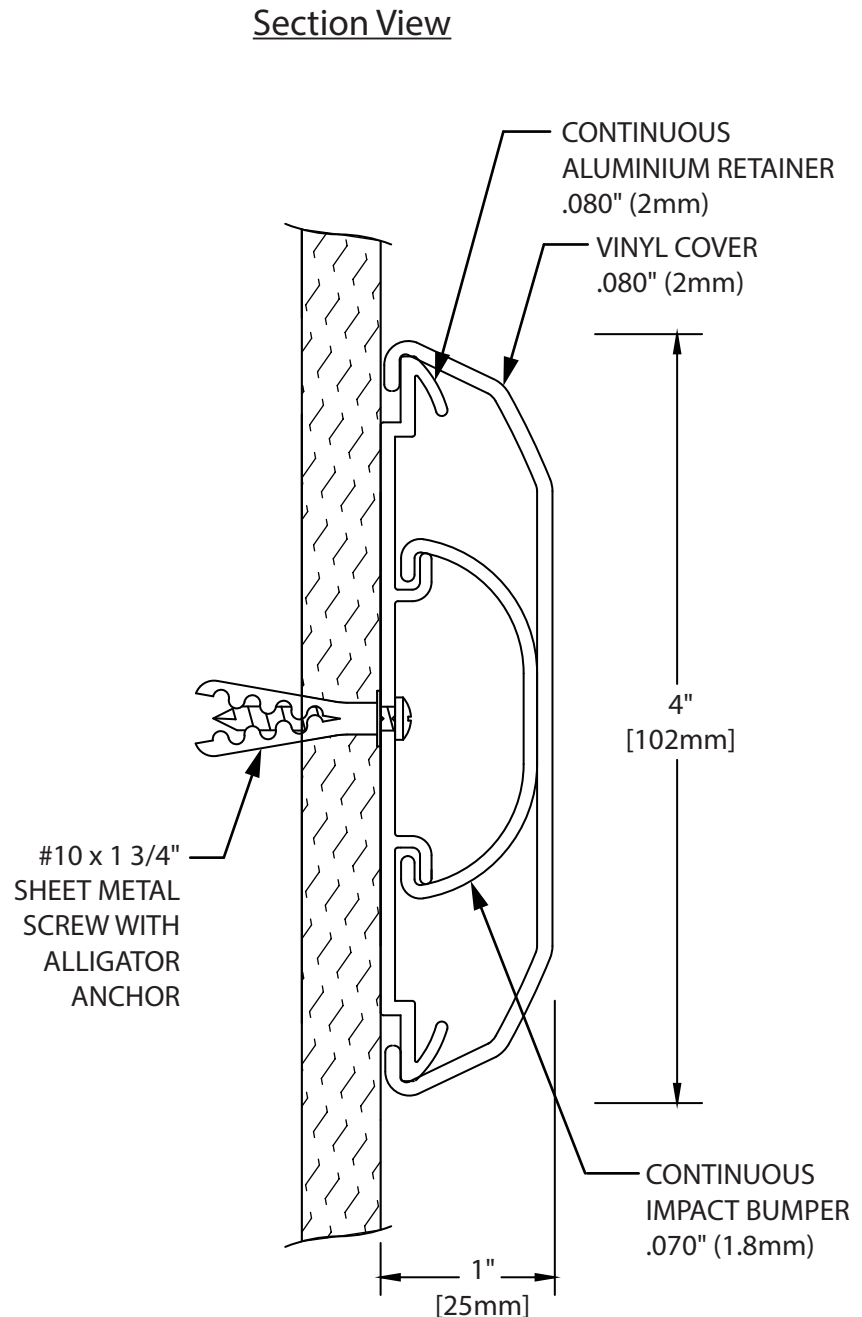
Please read all instructions before installing wallguard.

Important

1. Acclimate materials 24 hrs before installation. Maintain temperature controlled environment after installation
2. Install in accordance with manufacturer's installation instructions. Failure to do so will void the warranty.

Installation tips

1. Cut covers up to 1/16" (1.6mm) longer to ensure a tight fit.
2. Lubricate blades when cutting aluminum to reduce burrs.



Recommended tools

Safety Glasses, Tape Measure, 3/8" socket for machine screw hex bolt, 7/16" socket for wood screw hex bolt Level, Power Drill, Drill Bits - 1/4" masonry (concrete/concrete block), Power Miter Saw, 10" Blade with 60-80 Carbide Tipped Teeth

IPC.567/REV.7

Installation Instructions

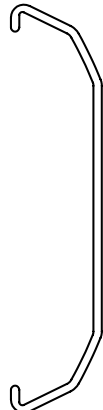
5000/5055/G2-5000 Wall Guard

Please read all instructions before installing wallguard.

Components and fasteners



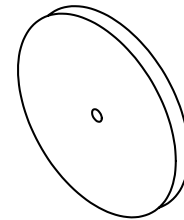
5000A
CONTINUOUS
ALUMINUM RETAINER



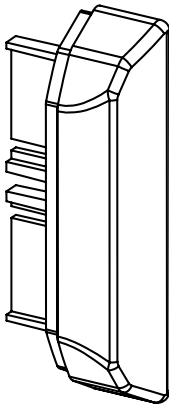
5000V
VINYL COVER



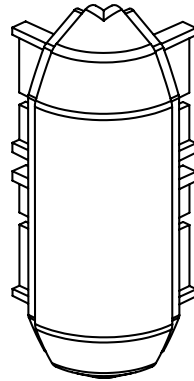
1400B
CONTINUOUS
IMPACT BUMPER



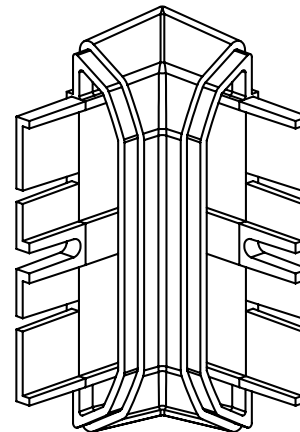
501
1/2" THICK
RUBBER SPACER



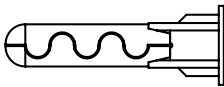
5001
END CAP



5002
OUTSIDE CORNER



5007
INSIDE CORNER



1/4"
ALLIGATOR
ANCHOR



#10 x 1 3/4"
PHILLIPS PAN HEAD
SHEET METAL SCREW



#8 x 1 1/2"
PHILLIPS INDENTED HEX
WASHER SELF DRILLING

Wall Condition	Specified Fasteners	Inpro Part #
Profile Hardware Kit	#10 x 1 3/4" Phillips Pan Head Sheet Metal Screw and 1/4" Alligator Anchor x6	HWK-WG/CR
Corner Hardware Kit - Concrete	#10 x 1 3/4" Phillips Pan Head Sheet Metal Screw and 1/4" Alligator Anchor x2	HWK-CC
Corner Hardware Kit - Drywall	#8 x 1 1/2" Phillips Indented Hex Washer Self Drilling Screw x2	HWK-CDW

Cape Cod Systems Corporation
100 Ripley Rd. | P.O. Box 276 | Cohasset, MA 02025
Phone/Text: 508-888-8555 | Fax: 508-888-8140
ccs@capecodsystemscompany.com

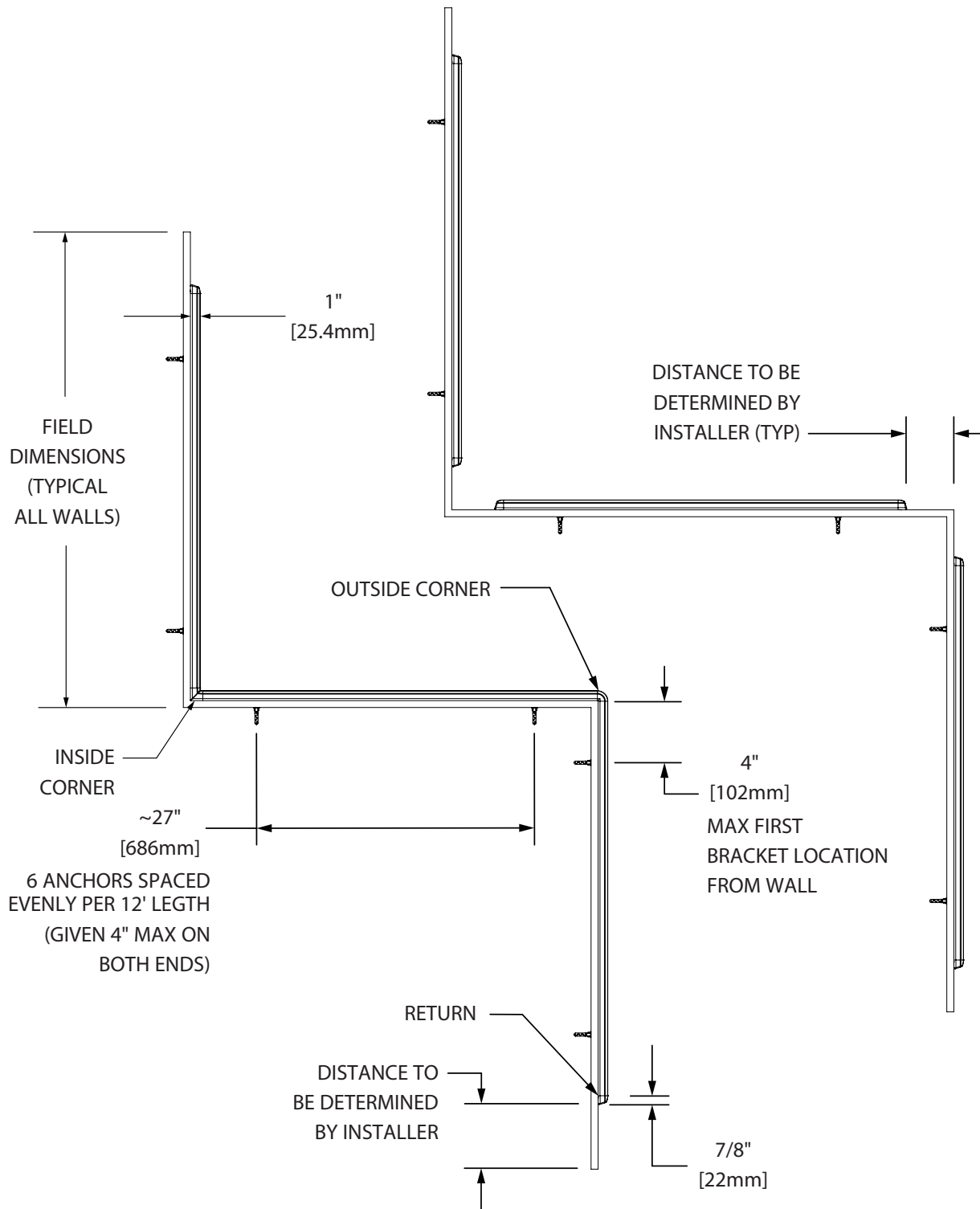


Installation Instructions

5000/5055/G2-5000 Wall Guard

Please read all instructions before installing wallguard.

Layout Views



Cape Cod Systems Corporation

100 Ripley Rd. | P.O. Box 276 | Cohasset, MA 02025

Phone/Text: 508-888-8555 | Fax: 508-888-8140

ccs@capecodsystemscompany.com

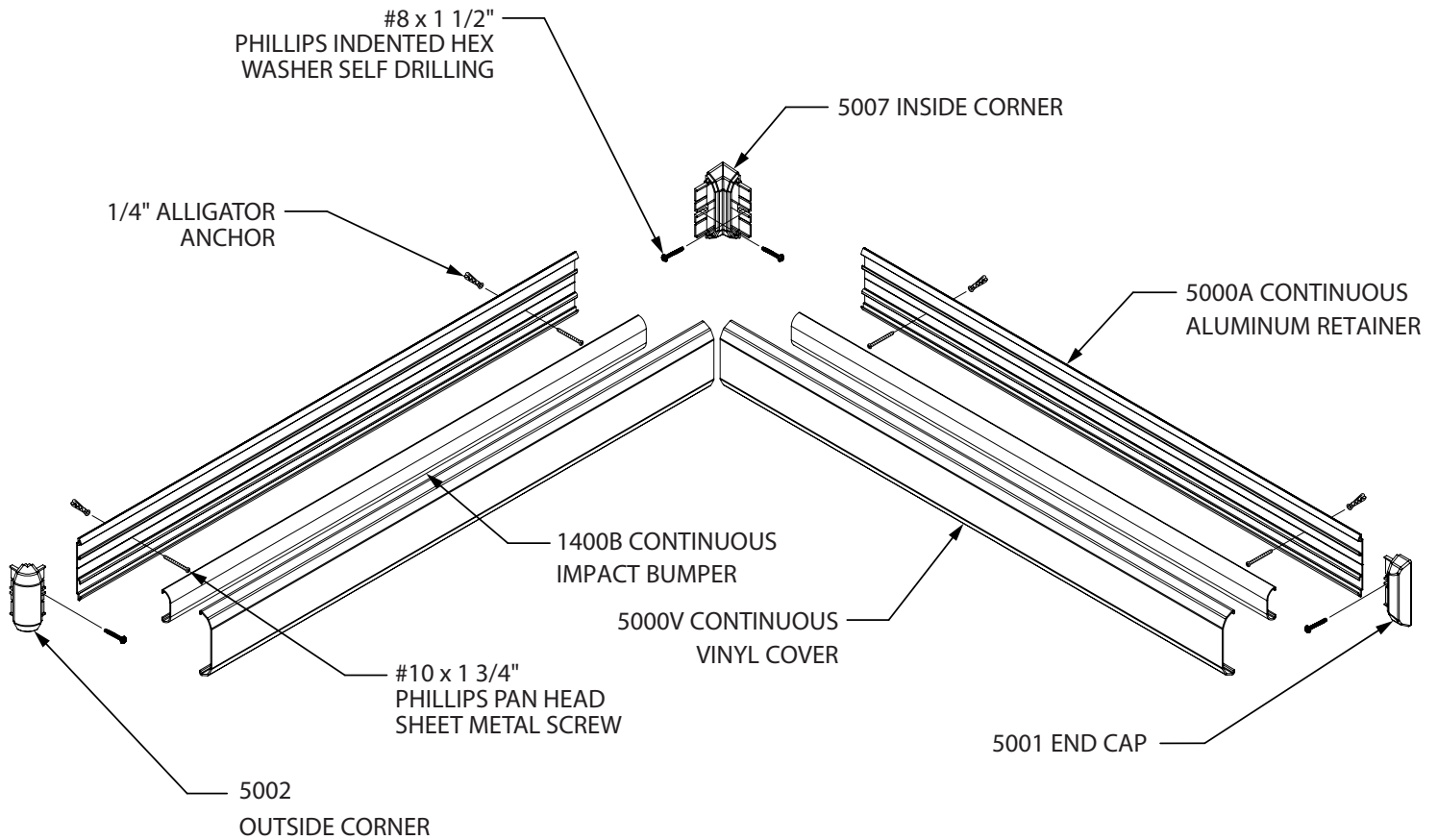


Installation Instructions

5000/5055/G2-5000 Wall Guard

Please read all instructions before installing wallguard.

Exploded Assembly

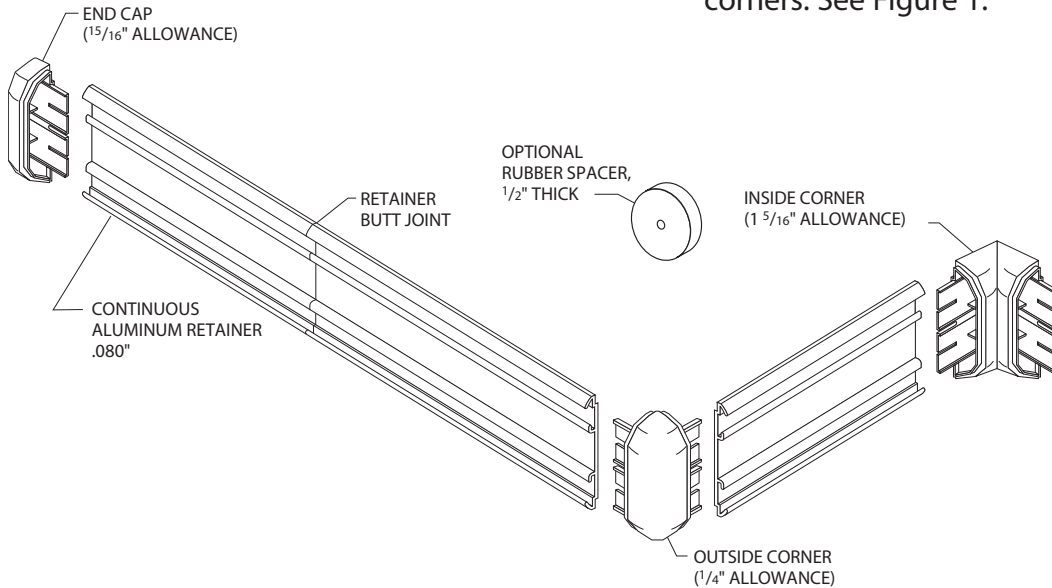


Installation Instructions

5000/5055/G2-5000 Wall Guard

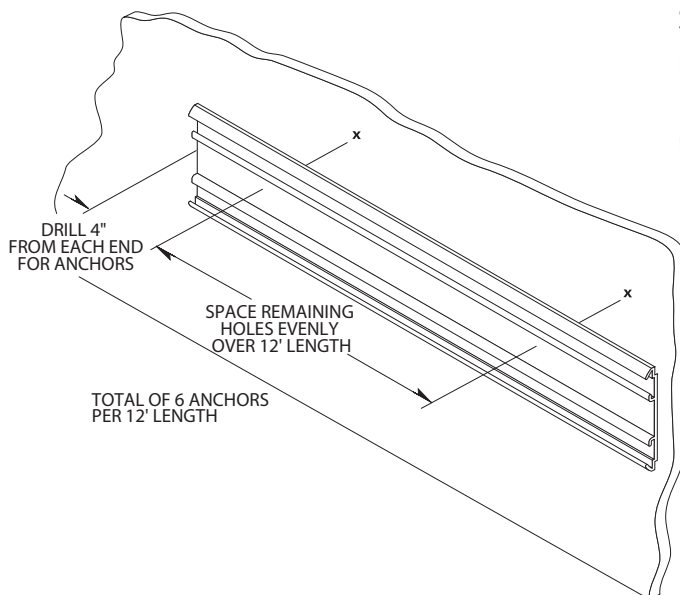
Please read all instructions before installing wallguard.

FIG. 1



1. Cut aluminum retainer to desired length, leaving allowance for end caps, inside corners and outside corners. See Figure 1.

FIG. 2



2. Drill holes in centerline of retainer using 1/4" [6mm] drill bit. Position retainer on wall allowing for end caps/corners. Level and mark holes.

See Figure 2.

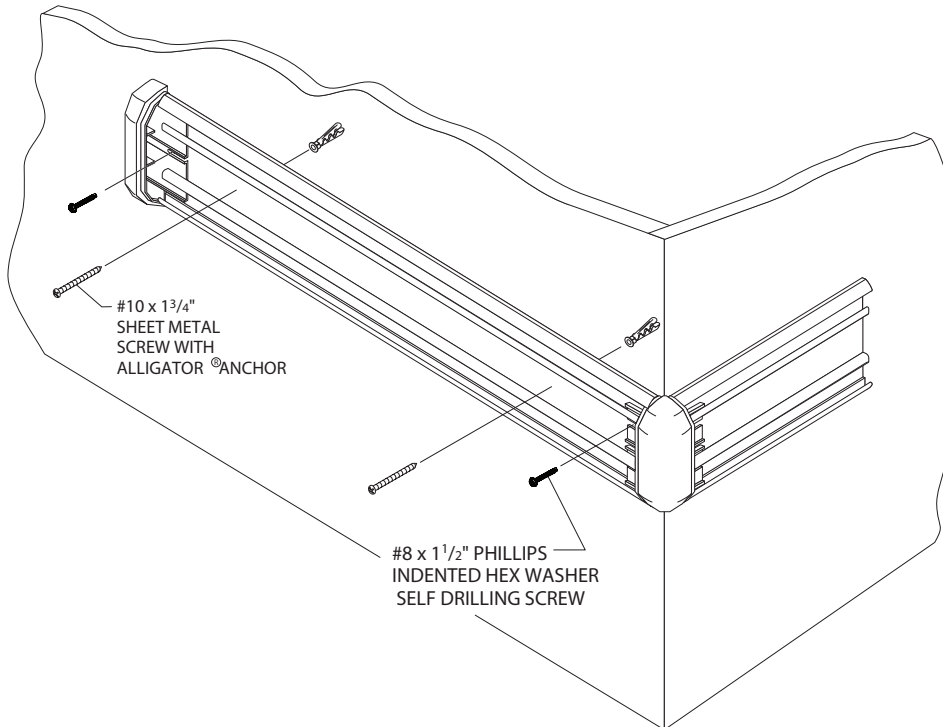
NOTE: For concrete or brick wall installation, drill 1/4" [6mm] holes, 3/8" [10mm] from each end of retainer for end caps/corners.

Installation Instructions

5000/5055/G2-5000 Wall Guard

Please read all instructions before installing wallguard.

FIG. 3

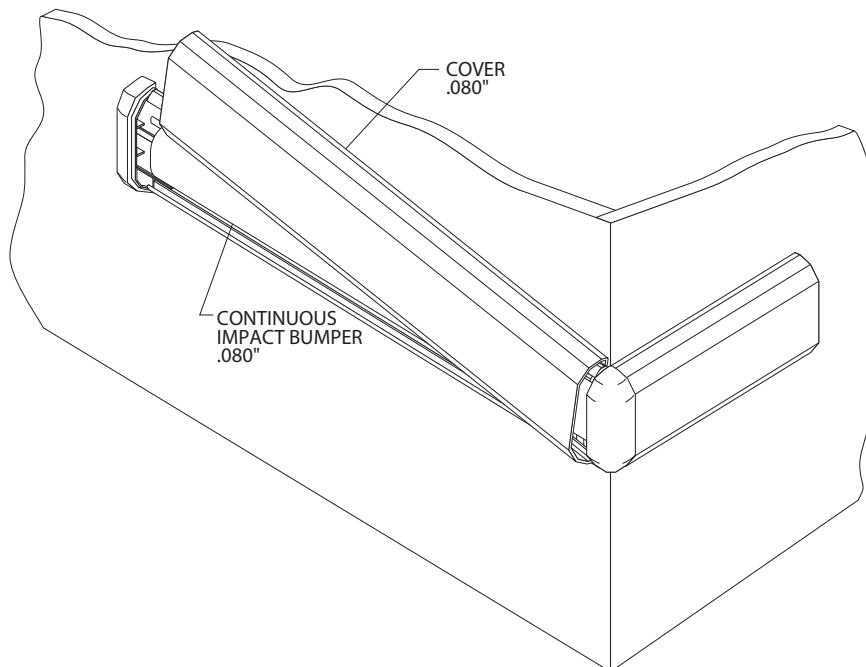


3. Drill marked holes on wall using a 1/4" [6mm] drill bit and position Alligator anchors into holes. Mount retainer on wall and tighten screws to secure. Slide end caps and corners onto the retainer and secure, leaving a 1/16" [1.5mm] gap between returns/corners and retainer to allow for adjustment. See Figure 3.

NOTE: For concrete or brick wall installation, use #10 x 1 3/4" Phillips pan head screws to secure end caps and corners.

NOTE: If rubber spacers are used, attach them behind the retainer at all mounting hole locations including those for end caps and corners.

FIG. 4



4. Cut the impact bumper to the length between the inside edge of the end caps/corners. Position and snap bumper in place. Cut the cover to length between end caps and/or corners. (Note: Trim factory edges square before installation). Position cover on retainer and adjust returns and/or corners for a tight fit. Push cover over the retainer until it snaps into place. See Figure 4.

NOTE: For 5055 Vinyl Only - When continuous runs are over 12', vinyl covers should be installed in consecutive order using the numbers found on the back of covers. This ensures proper alignment of the accent strip.