





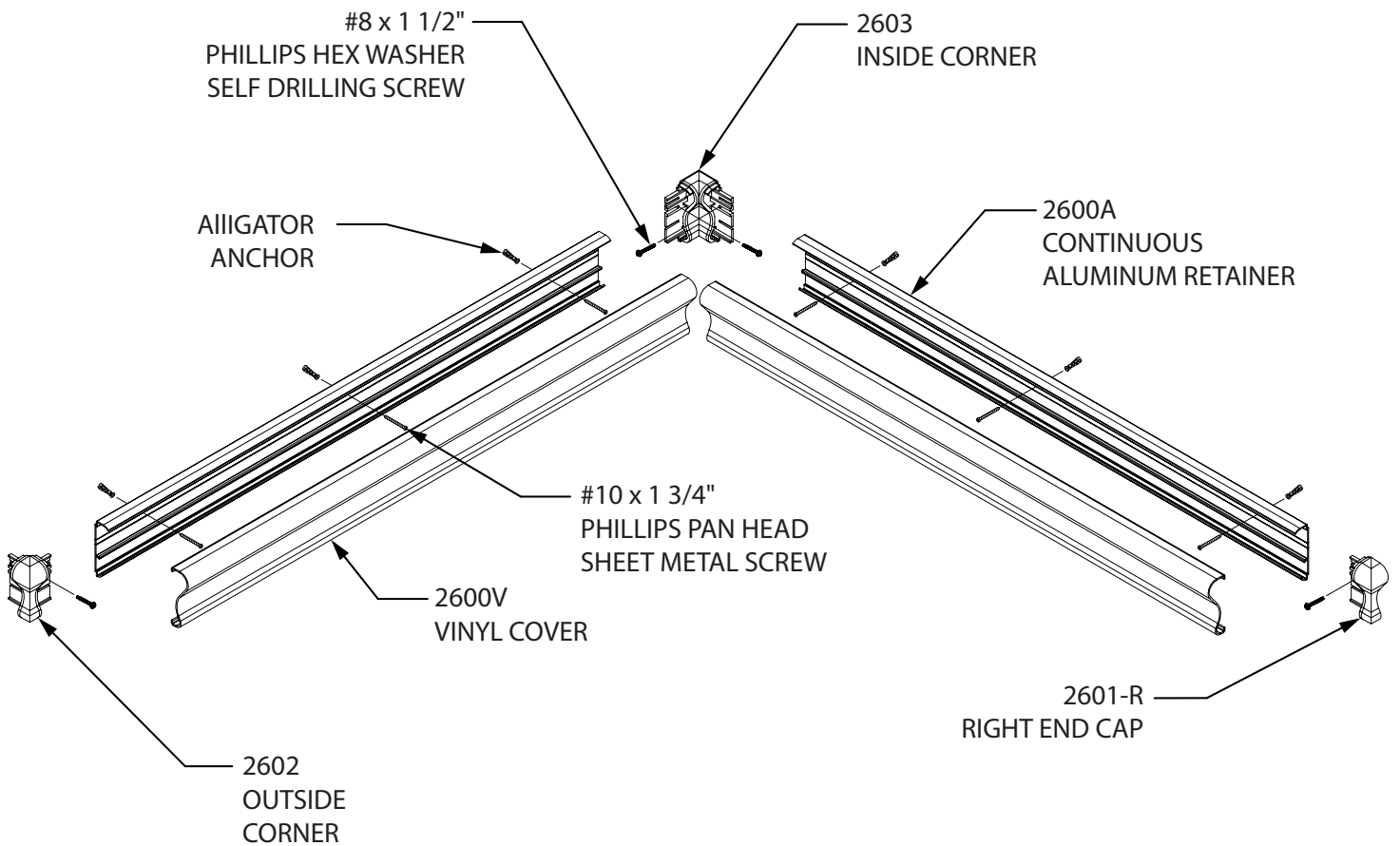


# Installation Instructions

## 2600/G2-2600 Chair Rail

Please read all instructions before installing wallguard.

### Exploded Assembly View



IPC® Door + Wall Protection

[inpro.com](http://inpro.com) • 800.222.5556 • 262.679.9010

World Headquarters S80 W18766 Apollo Drive, Muskego, WI 53150 USA

Installation Hotline: 866.394.6776

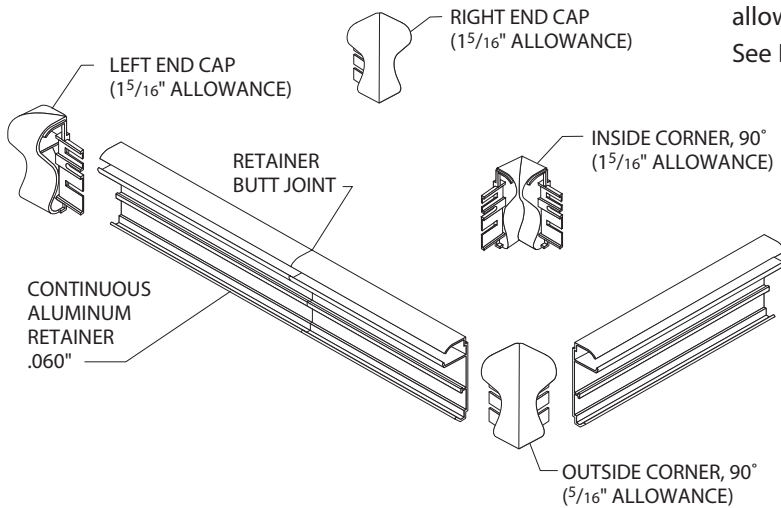
**inpro**®

# Installation Instructions

## 2600/G2-2600 Chair Rail

Please read all instructions before installing wallguard.

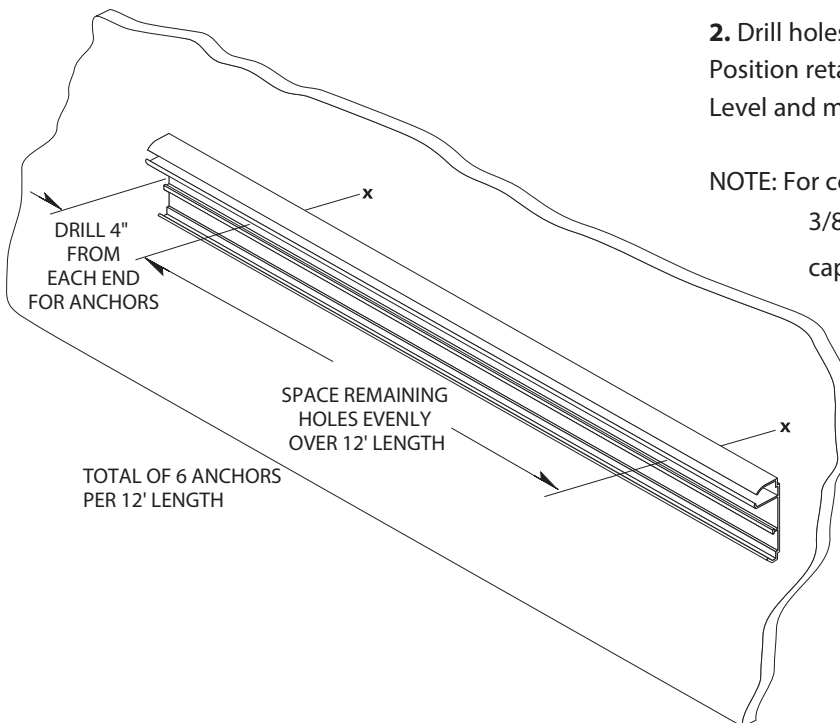
FIG. 1



Please read all instructions before installing chair rail.

1. Cut aluminum retainer to desired length, leaving allowance for end caps, inside corners and outside corners. See Figure 1.

FIG. 2



2. Drill holes in centerline of retainer using 1/4" drill bit. Position retainer on wall allowing for end caps/corners. Level and mark holes. See Figure 2.

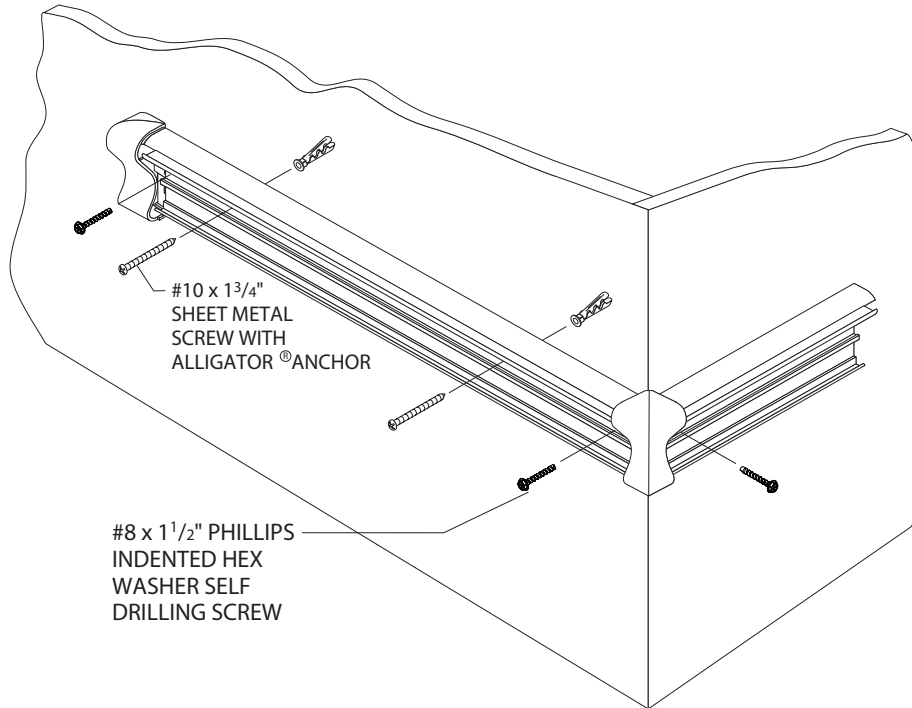
NOTE: For concrete or brick wall installation, drill 1/4" holes, 3/8" [10mm] from each end of retainer for end caps/corners.

# Installation Instructions

## 2600/G2-2600 Chair Rail

Please read all instructions before installing wallguard.

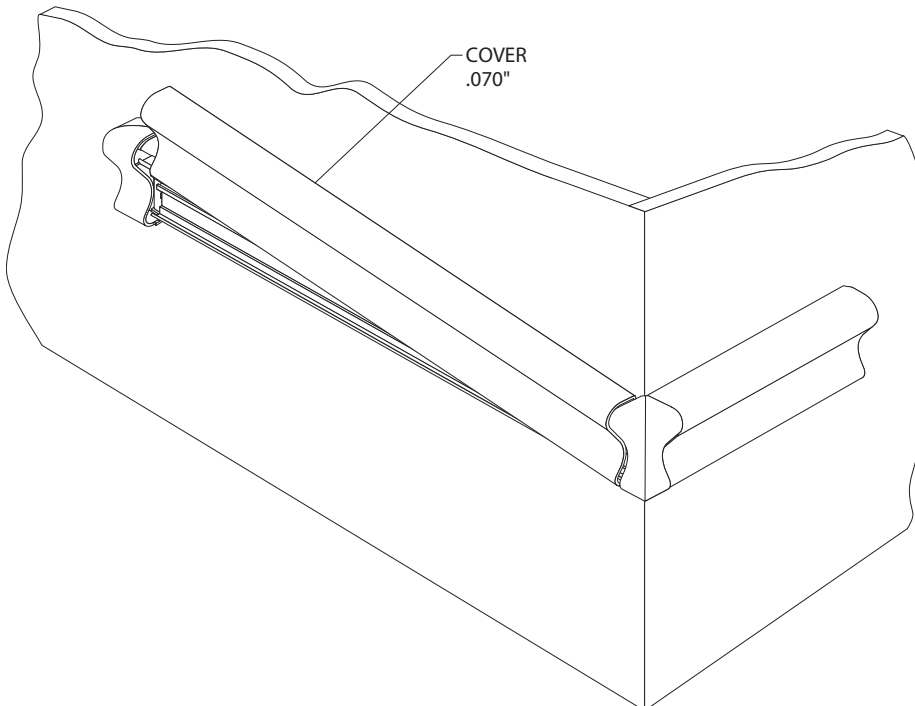
FIG. 3



3. Drill marked holes on wall using a 1/4" drill bit and position Alligator anchors into holes. Mount retainer on wall and tighten screws to secure. Slide end caps and corners onto the retainer and secure, leaving a 1/16" [1.5mm] gap between returns/corners and retainer to allow for adjustment. See Figure 3.

NOTE: For concrete or brick wall installation, use #10 x 1 3/4" Phillips pan head screws to secure end caps and corners.

FIG. 4



4. Cut the cover to length between end caps and/or corners. (Note: Trim factory edges square before installation). Position cover on retainer and adjust end caps and/or corners for a tight fit. Starting at one end, push cover onto retainer until it snaps into place. See Figure 4.