

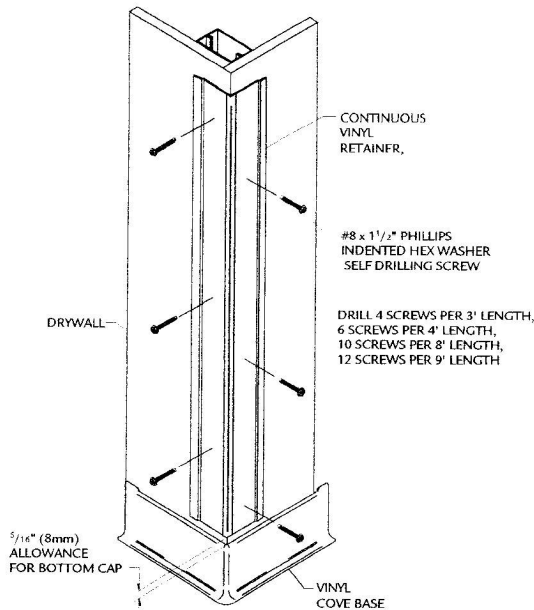
# Installation Instructions

## BluNose High Impact Corner Guards

Models: 150BN, 160BN, 170BN, 130BN

**CAPE COD SYSTEMS COMPANY**  
 25 Crestview Drive • P.O. Box 839  
 East Sandwich, MA 02537  
 Tel: (508) 888-8555/Fax: (508) 888-8140  
[www.capecodsystemscompany.com](http://www.capecodsystemscompany.com)

FIG. 1



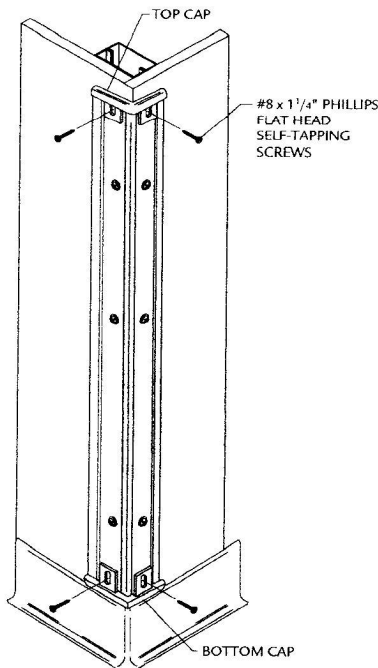
Please read all instructions before installing corner guards. Material must be stored, installed and used in environmentally controlled conditions.

1. Position vinyl retainer against wall, leaving allowance for bottom cap. Secure retainer to the wall by staggering fasteners on each wing of the retainer. See Figure 1.

Note for concrete installation: Use the slotted tabs on the top and bottom caps to transfer and drill 1/4" (6.5mm) holes into the ends of the retainer. Also drill 1/4" (6.5mm) holes staggered on each wing of the retainer. Drill 4 holes per 3' (.91m) length, 6 holes per 4' (1.22m) length, 10 holes per 8' (2.44m) length or 12 holes per 9' (2.74m) length. Transfer the location of the mounting holes to the wall. Drill marked holes on wall using a 1/4" drill bit and position Alligator anchors into holes. Mount retainer on wall with #10 x 1 3/4" phillips pan head screws and tighten to secure.

Note for 170BN Blunose 90° Bullnose Corner Guard: Corner bead of wall must be 3/4" (19mm) radius to accommodate retainer.

FIG. 2

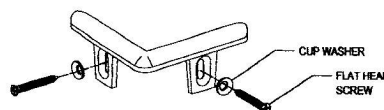


2. Overlap the retainer with the mounting tabs of the top and bottom caps and attach them to retainer. Stagger the fasteners on each wing of the cap. See Figure 2.

When installing flexible top caps on custom angle corner guards, use cup washers and flat head screws to fasten the top caps to the retainer. See Figure 2a.

Note for concrete installation: Overlap the retainer with the mounting tabs of the top and bottom caps and attach them to retainer and into the Alligator anchors using two, #8 x 1 1/2" phillips flat head screws per cap.

FIG. 2a



## CAPE COD SYSTEMS COMPANY

25 Crestview Drive • P.O. Box 839

East Sandwich, MA 02537

Tel: (508) 888-8555/Fax: (508) 888-8140

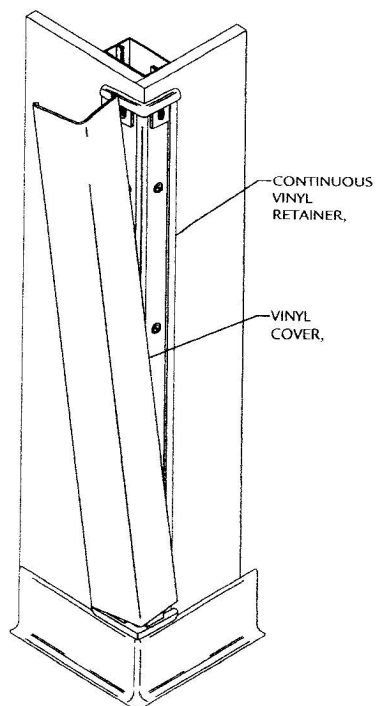
[www.capecodsystemscompany.com](http://www.capecodsystemscompany.com)

# Installation Instructions

## BluNose High Impact Corner Guards

Models: 150BN, 160BN, 170BN, 130BN

FIG. 3



3. Position cover on retainer and adjust the top cap for a tight fit. Starting at the top, push cover onto retainer pressing over the entire length until it snaps into place. See Figure 3.