

# Installation Instructions

1000/1000W/G2-1000 Handrail

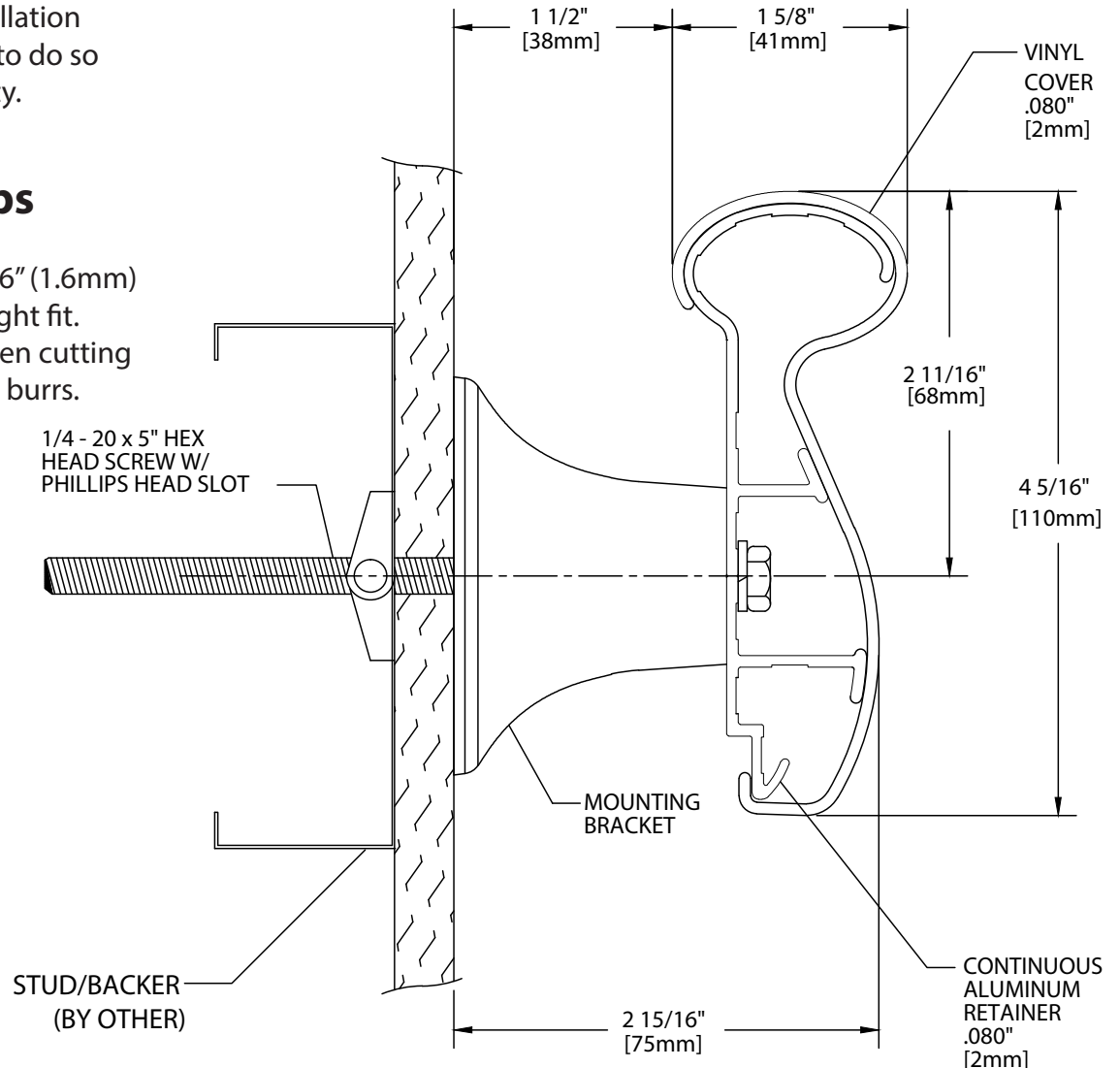
Please read all instructions before installing handrail.

## Important

1. Acclimate materials 24 hrs before installation. Maintain temperature controlled environment after installation
2. Install in accordance with manufacturer's installation instructions. Failure to do so will void the warranty.

## Installation tips

1. Cut covers up to 1/16" (1.6mm) longer to ensure a tight fit.
2. Lubricate blades when cutting aluminum to reduce burrs.



### Recommended tools

### SECTION VIEW

Safety Glasses, Tape Measure, 3/8" socket for machine screw hex bolt, 7/16" socket for wood screw hex bolt Level, Power Drill, Drill Bits - 1/4" masonry (concrete/concrete block), Power Miter Saw, 10" Blade with 60-80 Carbide Tipped Teeth

IPC.1685/REV.2

Cape Cod Systems Corporation  
100 Ripley Rd. | P.O. Box 276 | Cohasset, MA 02025  
Phone/Text: 508-888-8555 | Fax: 508-888-8140  
ccs@capecodsystemscompany.com

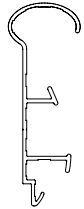


# Installation Instructions

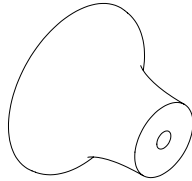
Please read all instructions before installing handrail.

1000/1000W/G2-1000 Handrail

## Components and fasteners



1000A  
CONTINUOUS  
ALUMINUM RETAINER



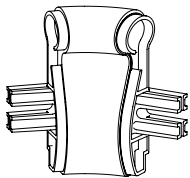
1001  
MOUNTING BRACKET



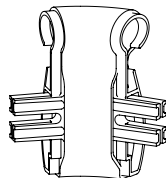
1000V  
COVER



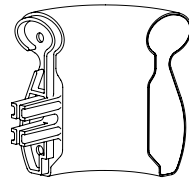
1000HR REVEAL  
STANDARD ON  
2000W, G2-2000



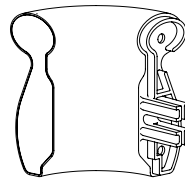
1005135  
135° INSIDE  
CORNER



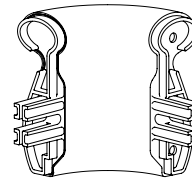
1004135  
135° OUTSIDE  
CORNER



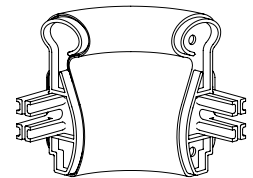
1002  
LEFT RETURN



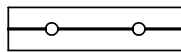
1003  
RIGHT RETURN



1004  
OUTSIDE  
CORNER



1005  
INSIDE  
CORNER



804  
SPLICE



1/4"  
LOCK WASHER  
SPRING REGULAR



1/4-20  
FLANGED SCREW  
HEX NUT



1/4-20 X 1  
HEX WASHER  
SCREW

Wall Condition	Specified Fasteners	Inpro Part #
Steel Stud/Gypsum Wall	1/4-20 x 5" Phillips hex head Bolt with toggle wing and lock washer	HWK-801D
Concrete/Concrete Block	1/4-20 x 5" Phillips hex head bolt with lead anchor and lock washer	HWK-801C
Wood Stud/Gypsum Wall	1/4" x 5" Hex Head Wood Screw and lock washer	HWK-801W
16 gauge steel Backer/Gypsum wall	#14 X 4" Indented hex washer, zink-plated TEK SCREW	HW69
Steel Stud or Metal Backer/Drywall (OSHDP)	1/4-20 x 5" Phillips hex head Bolt with lock washer and 1/4" Hilti Toggler	HWK-8010D
Concrete/Concrete Block (OSHDP)	1/4" x 4" Torx Hex Washer Head Screw (Hilti Kwik-Con II) and lock washer	HWK-8010C
Wood Stud or Wood Backer/Gypsum Wall (OSHDP)	1/4" x 5" Hex Head Wood Screw and lock washer	HWK-8010W

Cape Cod Systems Corporation  
100 Ripley Rd. | P.O. Box 276 | Cohasset, MA 02025  
Phone/Text: 508-888-8555 | Fax: 508-888-8140  
ccs@capecodsystemscompany.com

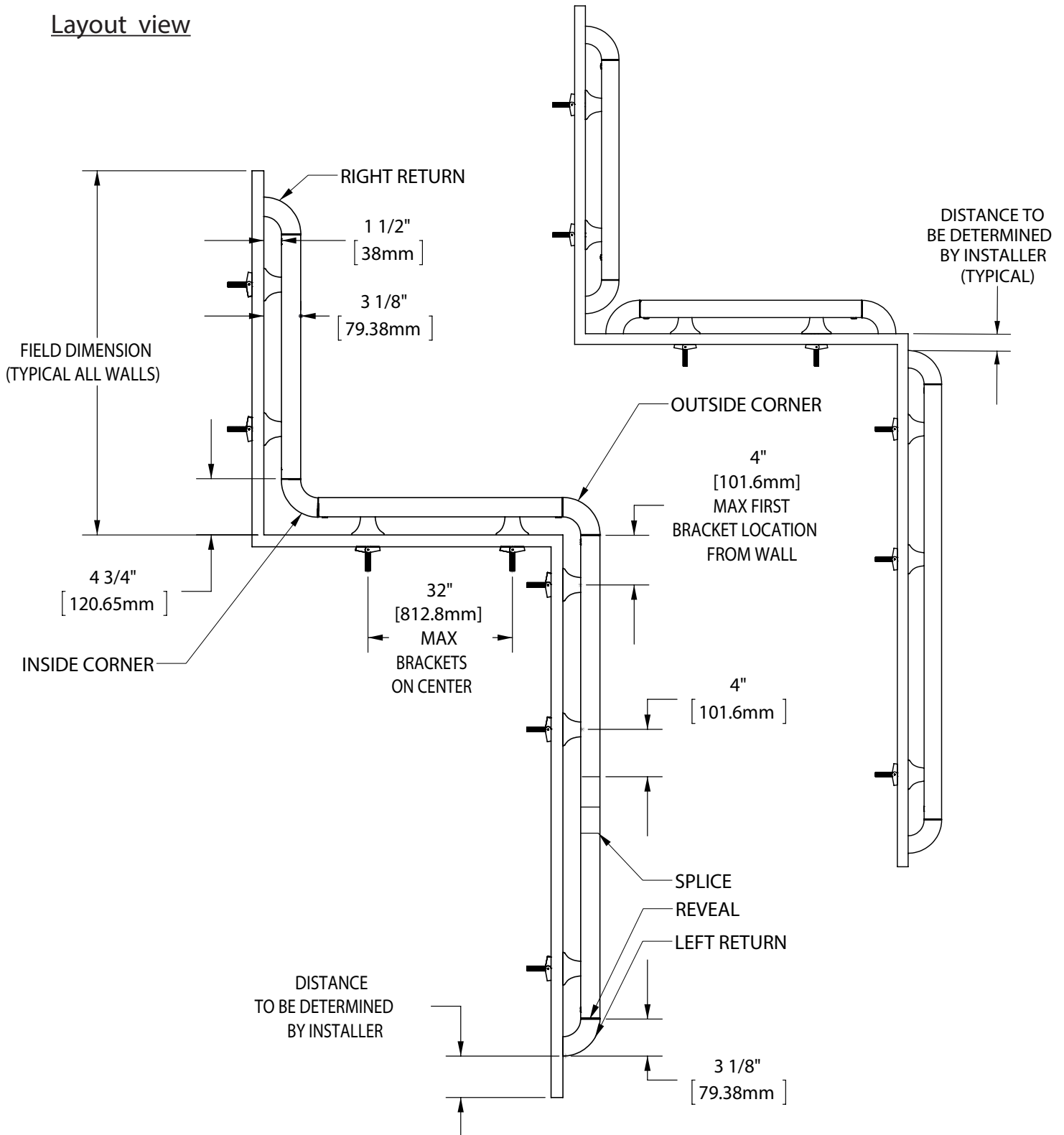


# Installation Instructions

1000/1000W/G2-1000 Handrail

Please read all instructions before installing handrail.

## Layout view



Cape Cod Systems Corporation

100 Ripley Rd. | P.O. Box 276 | Cohasset, MA 02025

Phone/Text: 508-888-8555 | Fax: 508-888-8140

ccs@capecodsystemscompany.com

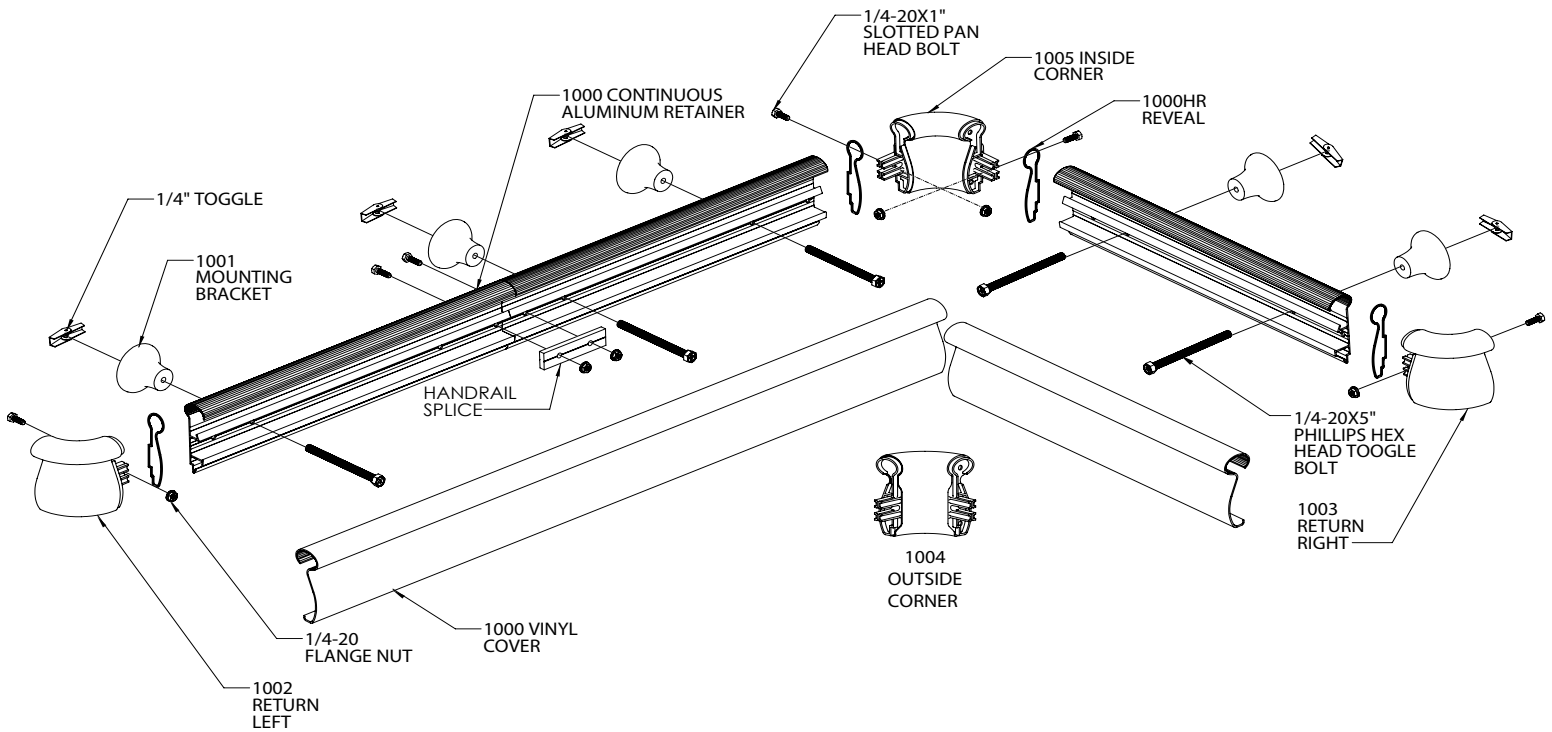


# Installation Instructions

1000/1000W/G2-1000 Handrail

Please read all instructions before installing handrail.

## Exploded view assembly



Cape Cod Systems Corporation  
100 Ripley Rd. | P.O. Box 276 | Cohasset, MA 02025  
Phone/Text: 508-888-8555 | Fax: 508-888-8140  
ccs@capecodsystemscompany.com



# Installation Instructions

1000/1000W/G2-1000 Handrail

Please read all instructions before installing handrail.

FIG. 1

1. Cut aluminum retainer to desired length, leaving allowance for returns, outside corners and inside corners. See Fig. 1.

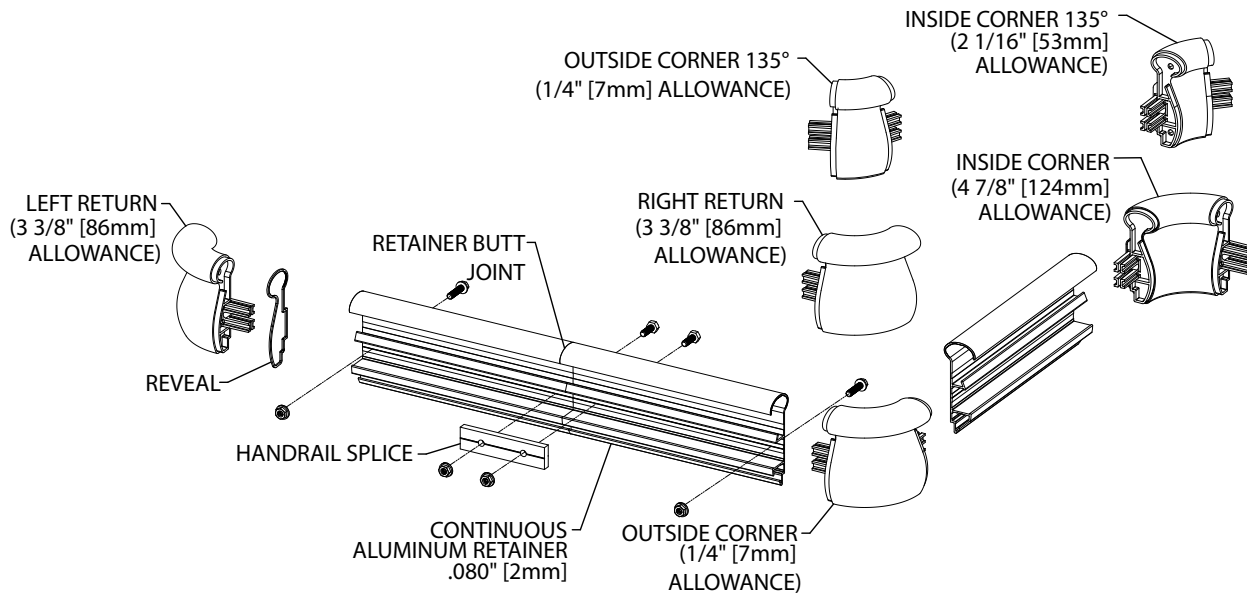
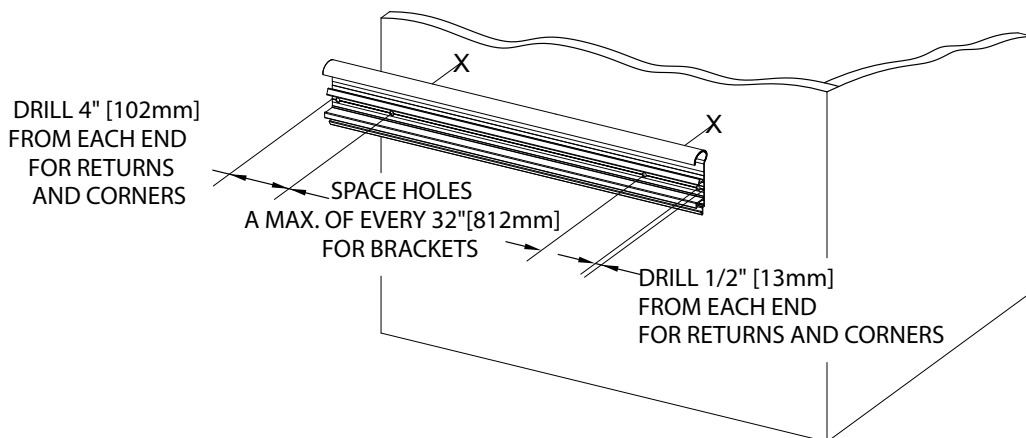


FIG. 2

2. Drill holes in centerline of aluminum retainer for brackets, returns and corners using 1/4" drill bit. Position aluminum retainer against wall at desired height allowing for returns and corners. Level and mark bracket holes on wall. Drill marked holes with 3/4" drill bit for toggle bolts (drywall installation) or 1/2" drill bit for lead anchor (concrete wall installation). See Fig. 2.



Cape Cod Systems Corporation  
 100 Ripley Rd. | P.O. Box 276 | Cohasset, MA 02025  
 Phone/Text: 508-888-8555 | Fax: 508-888-8140  
 ccs@capecodsystemscompany.com



# Installation Instructions

## 1000/1000W/G2-1000 Handrail

Please read all instructions before installing handrail.

3. Attach returns and corners to retainer leaving a 1/16" (1.5mm) gap between returns/corners and retainer to allow for adjustment. Loosely attach brackets to retainer. Mount on wall, level retainer and tighten screws to secure. See Fig. 3.

Note: See I000HR Reveal Installation Instructions to install reveals..

FIG. 3

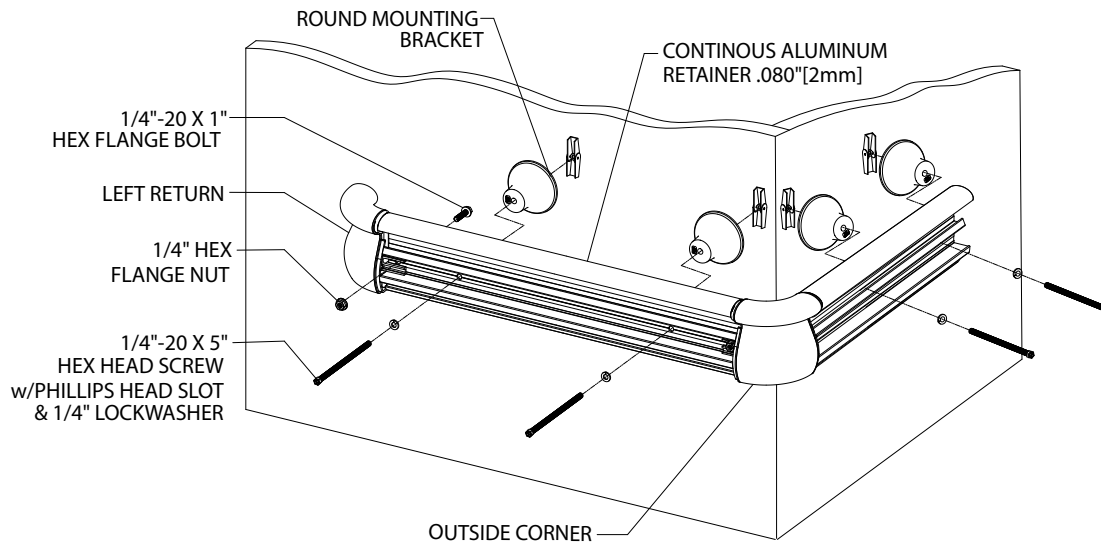
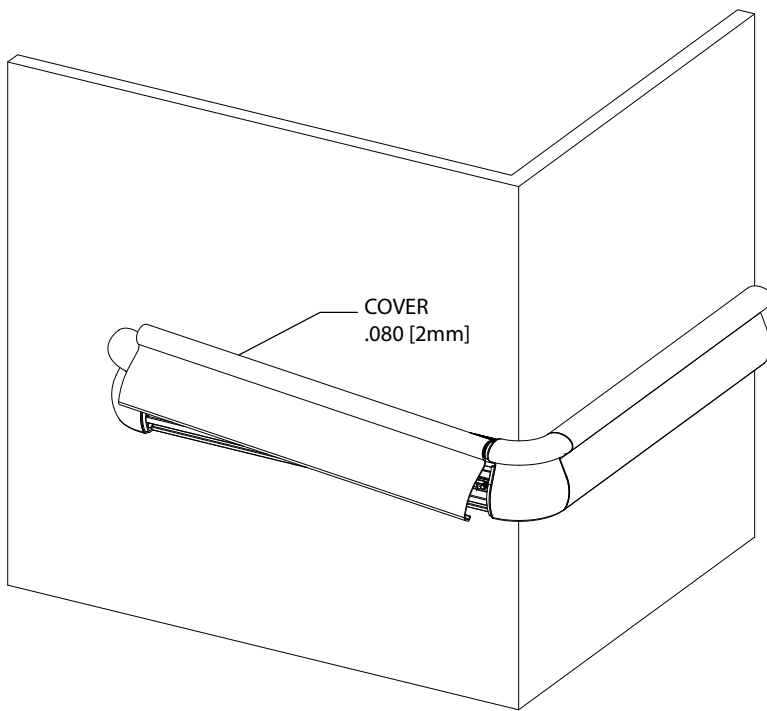


FIG. 4



4. Cut cover to length between returns and/or corners. (Note: Trim factory edges square before installation). Position cover on retainer and adjust returns and/or corners for a tight fit. Snap cover on retainer by starting at top and pivoting over the bottom of retainer. See Fig. 4.

Cape Cod Systems Corporation  
100 Ripley Rd. | P.O. Box 276 | Cohasset, MA 02025  
Phone/Text: 508-888-8555 | Fax: 508-888-8140  
ccs@capecodsystemscompany.com

