

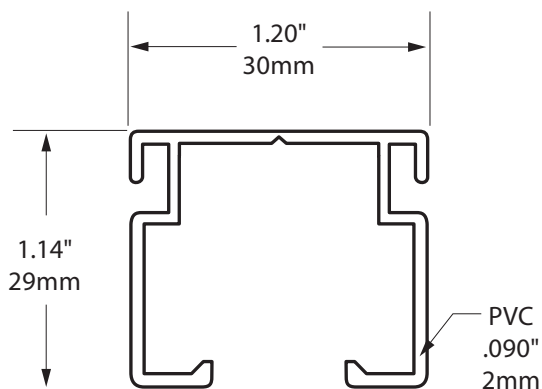
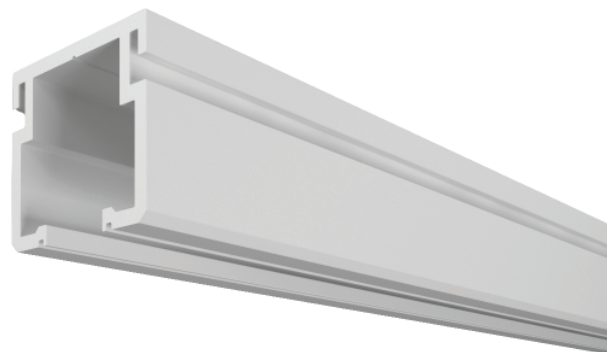
Whisper Cube®

CAPE COD SYSTEMS CORPORATION

TEL. 1-888-227-8555

Curtain Track

www.capecodsystems.com



- Extruded white PVC vinyl track offers quieter operation providing a more peaceful environment for patients and residents
- Exclusive Gridclips which allow fastening of the track to suspended ceilings without the use of screws or backing, are included with every order
- Splices and bends available for quick on-site installation
- Manufactured in 7' (2.1m), 8' (2.44m), 9' (2.74m) or 12' (3.66m) lengths to accommodate any application

Whisper Cube® Curtain Track

Suggested Specifications

PART 1 - GENERAL

1.01 SUMMARY

A. Cubicle Tracking Systems

1.02 SECTION INCLUDES

A. Whisper Cube Cubicle Tracking System

1. Overhead rigid vinyl curtain track and guides

2. Track accessories and attachments

1.03 SUBMITTALS

A. Product Data: Manufacturer's printed product data for each type of cubicle tracking system specified.

B. Detail Drawings: Mounting details with the appropriate fasteners for specific project substrates.

C. Samples: Verification samples of cubicle track, 4" (102mm) long, in full size, with carriers and end cap.

D. Manufacturer's Installation Instruction: Printed installation instructions for each cubicle tracking system.

1.04 DELIVERY, STORAGE AND HANDLING

A. Deliver materials in unopened factory packaging to the jobsite.

B. Inspect materials at delivery to assure that specified products have been received.

C. Store in original packaging in a climate controlled location away from direct sunlight.

1.05 PROJECT CONDITIONS

A. Environmental Requirements: Products must be installed in an interior climate controlled environment.

1.06 WARRANTY

A. Standard Clickeze® Limited Lifetime Warranty against material and manufacturing defects.

PART 2 - PRODUCTS

2.01 MANUFACTURER

A. Acceptable Manufacturer: Clickeze® Privacy Systems, Inpro Corporation, PO Box 406 Muskego, WI 53150 USA; Telephone: 800.222.5556, Fax: 888.715.8407, www.inprocorp.com

B. Substitutions: Not permitted

C. Provide all cubicle tracking systems from a single source.

2.02 TRACK MATERIAL

A. Cubicle Tracking System

1. Whisper Cube, extruded rigid vinyl cubicle track with white finish. Dimensions: height 1.14" (29mm), width 1.2" (30mm).

CE900007 - 7 foot length (2.1m)

CE900008 - 8 foot length (2.44m)

CE900009 - 9 foot length (2.74m)

CE900012 - 12 foot length (3.66m)

2. Bent sections: Provide factory bent track sections with one-foot radii to mate with straight track sections:

CE9042 - 2' x 2', 45° bend

CE9043 - 3' x 3', 45° bend

CE9062 - 2' x 2', 60° bend

CE9092 - 2' x 2', 90° bend

CE9093 - 3' x 3', 90° bend

CE9094 - 4' x 4', 90° bend.

2.03 TRACK COMPONENTS

A. Track Attachment: Provide appropriate attachment accessories as required for ceiling grid members.

1. Flush Gridclip: Flush panel T-bar gridclip;

CE9270 - Standard

CE9272 - Swivel

2. Tegular Gridclip: Tegular edge gridclip;

CE9271 - Standard

CE9273 - Swivel

B. Track Splice: Provide extruded aluminum splice, with white powder coat finish, to join track sections.

CE9SPLICE - Track Splice

C. End Caps: Provide molded thermoplastic end caps for end of track section.

CE9080 End Cap

CE9100 End Cap with hook

D. Wands: Provide wand to move curtain along the track.

CE9224: Adjustable Chain Wand

24" (609mm)

CE100699: Drapery Wand 30"

CE100697: Drapery Wand 36"

CE100698: Drapery Wand 48"

E. Curtain Carriers: Provide carriers with non-binding nylon rollers to accurately fit track. Carriers to be fitted to curtain to prevent accidental curtain removal. 2.2 carriers per lineal foot of track length, plus one extra carrier.

CE9025 - Solid Hook Carrier

CE9038 - Ball and Chain Carrier

F. Ligation Resistant Curtain Carriers: Provide non-binding canted wheel carrier of self-lubricating Acetal, fitted to curtain with ligation resistant hook for safety. 2.2 carriers per lineal foot of track length.

CE9026-LR - Ligation Resistant* Carrier.

*While these products are designed for behavioral health applications, they do not guarantee patient safety.

G. Adjustable Drop Chain: Provide drop chain and adjust to accommodate curtain at desired height for air/steam circulation.

CE9039 - Adjustable Drop Chain

H. Tie Backs: Provide curtain tie back to hold curtain back.

CE9251 - Beaded Plastic Curtain Tie Back - 48" (1.22m)

long chain

CE9252 - Beaded Nickel-Plated Curtain Tie Back - 48"

(1.22m) long chain

Fabric Tie Back - 3" x 18", 3/4" white velcro each end.

I. Wall Brackets: Provide Wall Brackets to install track on wall. Bracket dimensions: 4.25" (108mm) deep x 1.75 (44mm) high x 1.25 (32mm) wide. Space brackets a maximum of 24" (610mm) on center.

CE5082 Wall Bracket, white.

CE5082-AN Wall Bracket, zinc plated.

PART 3 - EXECUTION

3.01 EXAMINATION

A. Examine areas and conditions in which the cubicle tracking systems will be installed.

1. Complete all finishing operations, including painting, before beginning installation of cubicle tracking system materials.

2. Verify that surface and above ceiling supports are ready to receive work.

3.02 PREPARATION

A. General: Prior to installation, clean substrate to remove dust, debris and loose particles.

3.03 INSTALLATION

A. General: Locate the cubicle track as indicated on the approved detail drawing for the appropriate substrate and in compliance with the Clickeze® installation instructions.

B. Installation of Cubicle Tracking Systems:

1. Install cubicle track, secure, rigid, and true to ceiling line.

2. Slide carriers onto the track.

3. Install end cap or stop device.

4. Secure or suspend track to ceiling system. Install with mechanical fasteners or Gridclips.

5. Install curtains on carriers ensuring smooth operation.

3.04 CLEANING

A. At completion of the installation, remove any debris and clean surfaces in accordance with the Clickeze® clean up and maintenance instructions.