



CWC150 Series

CWC150-AST

Behavioral Healthcare Toilet

Dimensions	Water Use	Certifications	Technical	Barrier Free
15 ^{7/8} " x 20 ^{5/8} " x 17 ^{1/2} "	Required waterflow: 0.48 - 0.52 gal/sec	ISO EN 19712-3-2007 - Rated 5 UK Ministry of Justice Safer Cell Approval BREEAM Rated	Drain: 4" Flush Inlet: 1½"	ADA TAS BC Building Code Ontario Barrier Free

Material & Construction

The CWC-150 series is a ligature and vandal resistant solid surface back-to-wall toilet. It comes with hidden activations and is intended for through-the-wall installation.

The CWC150-AST is made of highly damage-resistant, high grade solid surface material. All models are of domestic appearance to assist in normalising the environment. Where necessary they are anti-ligature in design. The -AST models have a permanently bonded non-movable, anti-ligature solid surface seat.

The CWC range of toilets has been used throughout secure environments for over 10 years.

Standard Equipment

Fixture in solid surface material, steel mounting hardware, inlet seal and straight waste adaptor. The water management controller and the flush valve need to be ordered separate.

Water Management

The water is most effectively managed by Wallgate by AquaDesign's comprehensive WDCA range of electronic controllers in conjunction with the piezo or sensor activation of the DF3KIT.

The electronic controllers include timed flow, flow regulators and lockout programs. Flow restrictors ensure that the flow of water is precisely regulated allowing to contribute to LEED credits.

Flushing

The CWC-150 toilet is designed for up 1.58 gallon flushes.

The CWC-150 is compatible with all flush methods and can be activated by mechanical, electronic, pneumatic or infrared methods.

Flush control is most effectively managed by Wallgate by AquaDesign's WDCA range of electronic controllers which include dual flush, timed flow and lockout programs, enabling maximum contribution to LEED credits.

Technical Specifications

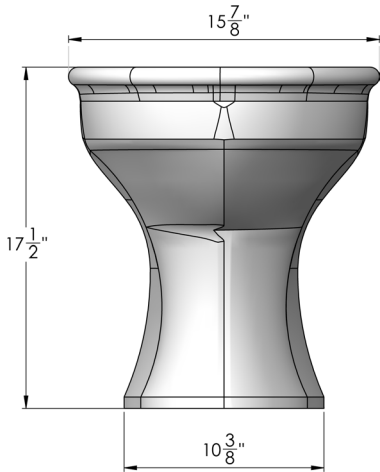
- Drainsize: 4"
- Flush pipe inlet: 1 1/2" pipe and seal
- ISO EN 19712-3-2007 rated 5 for durability, stain resistance, cigarette burns, etc
- Use of flushvalve by others: requires a waterflow between 0.48 and 0.52 gal/sec
- Color pan: polar white
- Color seat: polar white or dark grey



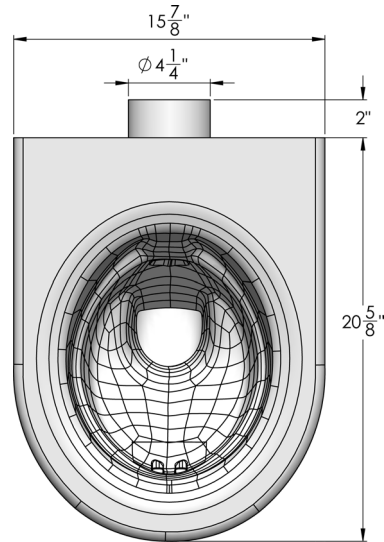
WARNING: Cancer and Reproductive Harm
www.P65Warnings.ca.gov

Cape Cod Systems
888-227-8555
www.capecodsystems.com

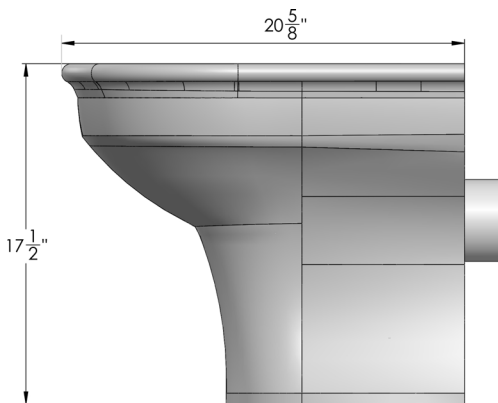
Front View



Top View



Side View

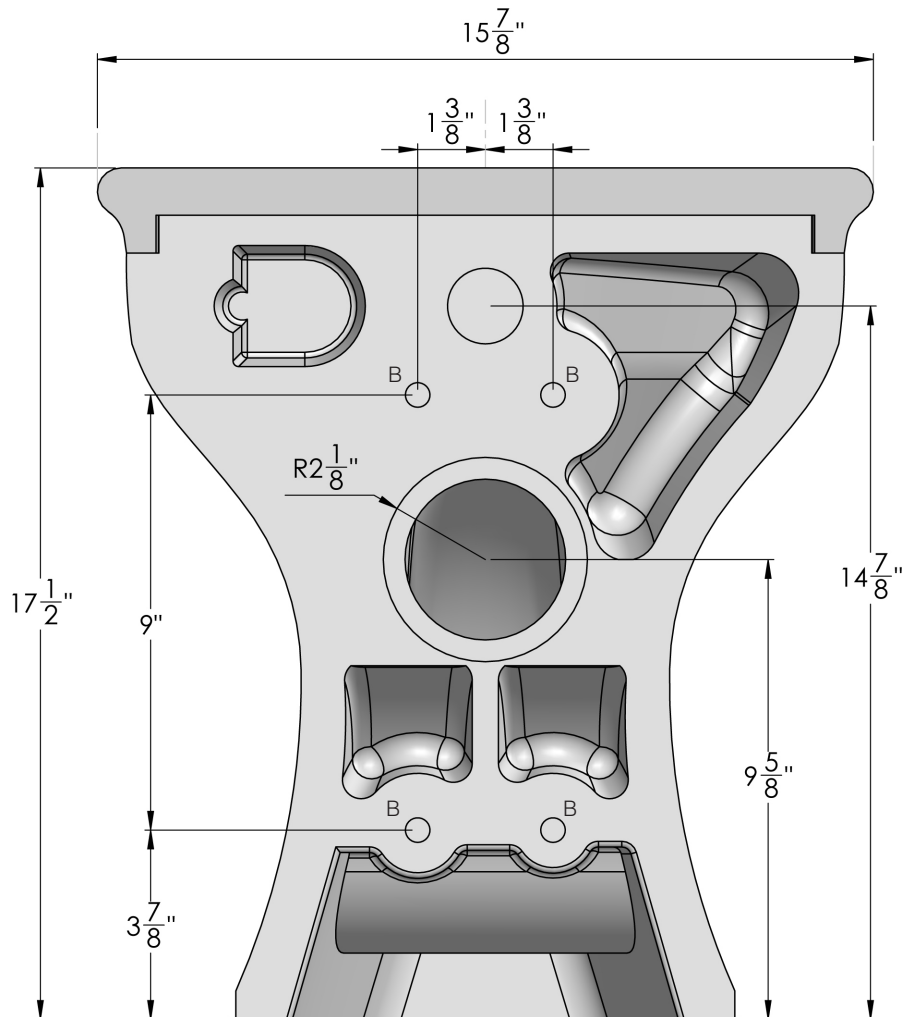


Cross Section



Rough-In Dimensions

Cape Cod Systems
 888-227-8555
www.capecodsystems.com



RECOMMENDED HOLE SIZES IN WALL:

(B) toilet anchoring holes. Ø4/8" (4 off)

Cape Cod Systems
888-227-8555
www.capecodsystems.com

001 Base Model Number (must specify)	<input type="checkbox"/> CWC150-AST Behavioral Healthcare Toilet
002 Color Fixed Seat (must specify)	<input type="checkbox"/> -G Dark Grey <input type="checkbox"/> -W Polar White
003 Color Bowl	<input checked="" type="checkbox"/> Polar White
004 Installation Option	<input type="checkbox"/> -BBS Solid Surface Back Box <input type="checkbox"/> -BBA Powder Coated Aluminum Back Box
005 Flushing Options	<input type="checkbox"/> DFKIT03-PDS Flush Valve, Airbreak, Piezo Activation, Double Flush, No Control Box <input type="checkbox"/> DFKIT03-PSS-WDC Flush Valve, Airbreak, Piezo Activation, Single Flush, Single Control Box <input type="checkbox"/> DFKIT03-PSS Flush Valve, Airbreak, Piezo Activation, Single Flush, No Control Box <input type="checkbox"/> CFV Concealed Flush Valve with Push Button Activation
006 Water Control System	<input type="checkbox"/> WDCA100 Electronic Water Control (4 valves, 1 room) <input type="checkbox"/> WDCA200 Electronic Water Control (8 valves, 2 rooms)

In the absence of a legal or industry definition of anti-ligature or ligature resistant products, when we use these terms, we are referring to products that are designed and manufactured with the intention of reducing the risk of ligature attachment to the product(s). Wallgate and PSD LLC will always endeavour to design and test our anti-ligature product(s) to reduce the risk of product ligature attachment that may result in serious injury or death. Whilst all reasonable measures are taken at the time of design, the anti-ligature design of the products are not intended to and will not:

- a. Replace protective measures that need to be taken in the specific circumstances of usage;
- b. Substitute the need for supervision of those who may be at risk;
- c. Protect and or prevent those at risk against any self-harm instances that may occur when installed; and
- d. Protect and or prevent injury when the risks were unknown to us at the time of the design of the product(s).

PSD LLC does not offer and does not represent or warrant that any product(s) for sale that are ligature-free. Therefore, PSD LLC will not be liable for any claims, loss, or damages arising from ligature attachment on our products. It is the purchaser's responsibility to ensure that products purchased and installed are suitable for the environments in which they are installed, and suitable supervision and protective measures are in place to protect those at risk.

Whilst all reasonable care has been taken in compiling the information in this document, the designs, dimensions and products shown are indicative only and should not be relied upon without our prior approval. Due to our policy of continuous development, we reserve the right to alter any details of specifications or products without notice. All information, drawings, technical specifications and product designs remains the property of PSD LLC.

All information including dimensions, changes in design and material are subject to manufacturer's change without formal notice and without obligation. AquaDesign assumes no responsibility for use of superseded or voided information. Verify all rough-in information before installation. It is the responsibility of the installer to conform with local and national codes.