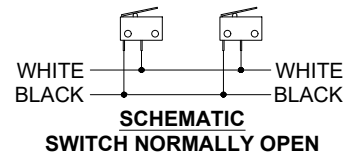
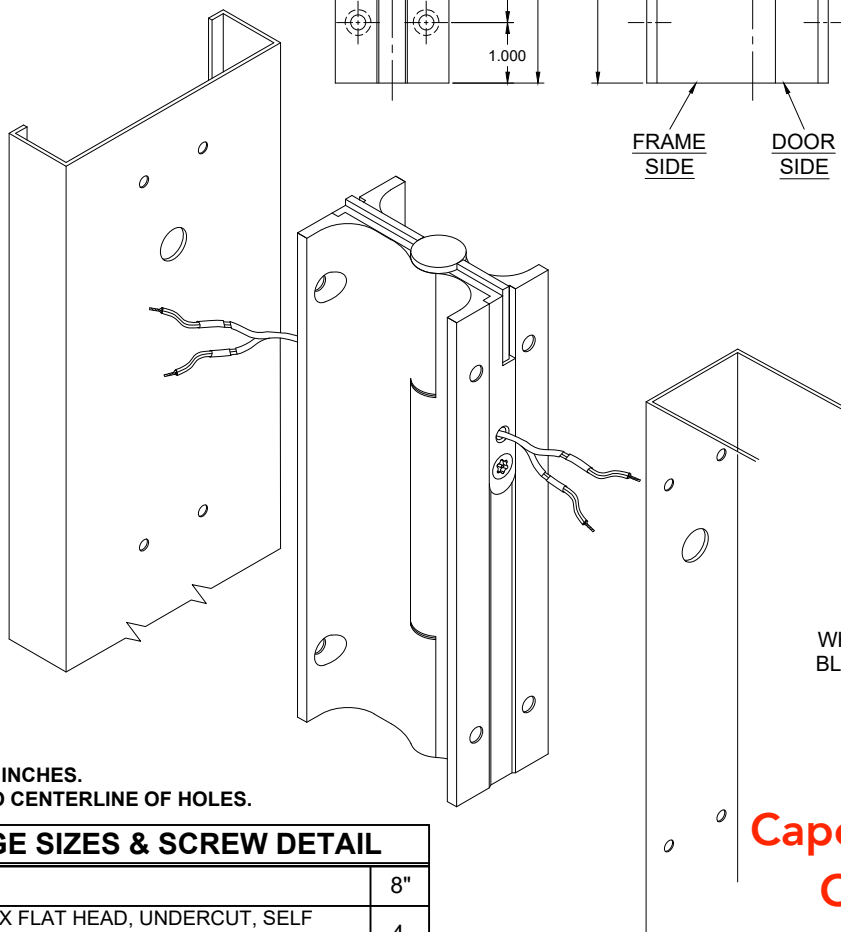
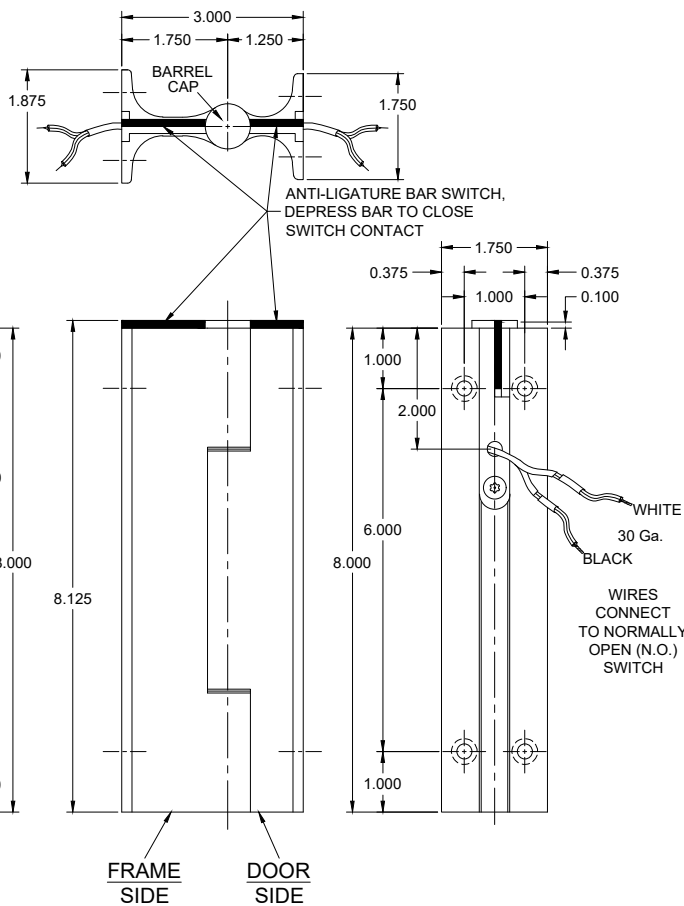
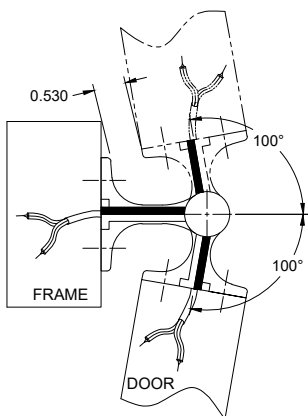
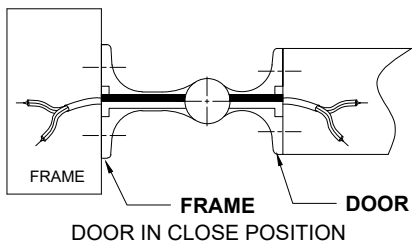


# A507- 8 INCH ANTI-LIGATURE DOUBLE SWING ALUMINUM HINGE W/ ALARM TOP



**NOTES:**

1. ALL DIMENSIONS ARE IN INCHES.
2. ALL DIMENSIONS ARE TO CENTERLINE OF HOLES.

**STANDARD HINGE SIZES & SCREW DETAIL**

ACTUAL HINGE LENGTH	8"
FRAME	12-24 x 3/4" PIN TORX FLAT HEAD, UNDERCUT, SELF DRILLING, THREAD FORMING TEK MACHINE SCREW
DOOR	12-24 x 3/4" PIN TORX FLAT HEAD, UNDERCUT, SELF DRILLING, THREAD FORMING TEK MACHINE SCREW

**Cape Cod Systems  
Corporation**  
Tel. 1-888-227-8555