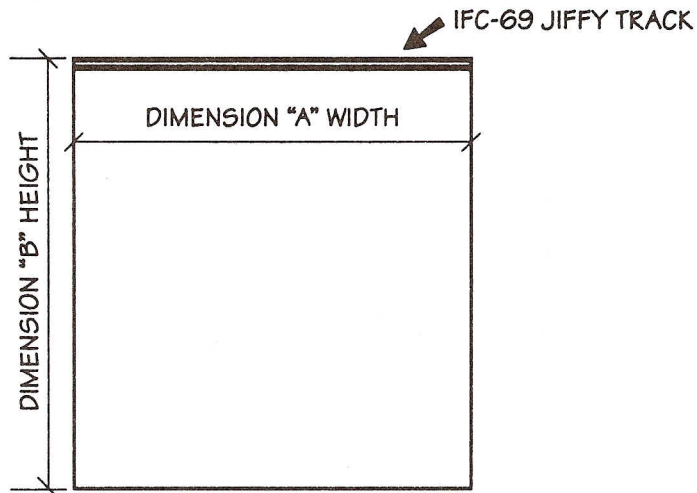


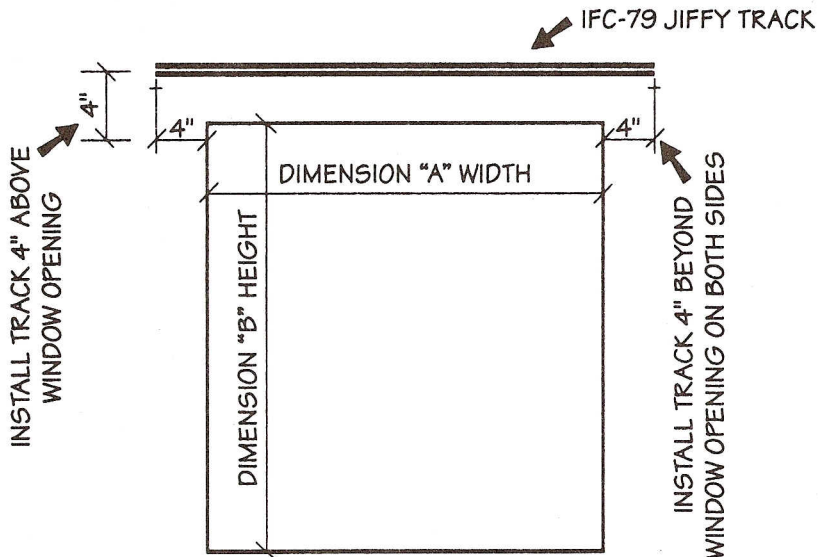
# IFC 69 JIFFY BREAK-A-WAY™ TRACK CEILING MOUNTED - INSIDE WINDOW INSTALLATION

CAPE COD SYSTEMS  
CORPORATION  
TEL. 1-888-227-8555



1. TAKE MEASUREMENT "A" INSIDE WINDOW FRAME - LEFT TO RIGHT
  2. TAKE MEASUREMENT "B" INSIDE WINDOW FRAME - TOP TO BOTTOM
- NOTE! FINISHED CURTAIN WILL HANG ½" ABOVE WINDOW SILL.

# IFC 79 JIFFY BREAK-A-WAY™ TRACK WALL MOUNTED ABOVE WINDOW INSTALLATION



1. TAKE MEASUREMENT "A" INSIDE WINDOW FRAME - LEFT TO RIGHT
  2. TAKE MEASUREMENT "B" INSIDE WINDOW FRAME - TOP TO BOTTOM
- NOTE! FINISHED CURTAIN WILL HANG 4" BELOW WINDOW SILL.

PROJECT IFC 69 CEILING MOUNT &  
IFC 79 WALL MOUNT INSTRUCTION SHEET

DWG# M 69-79

SCALE NONE