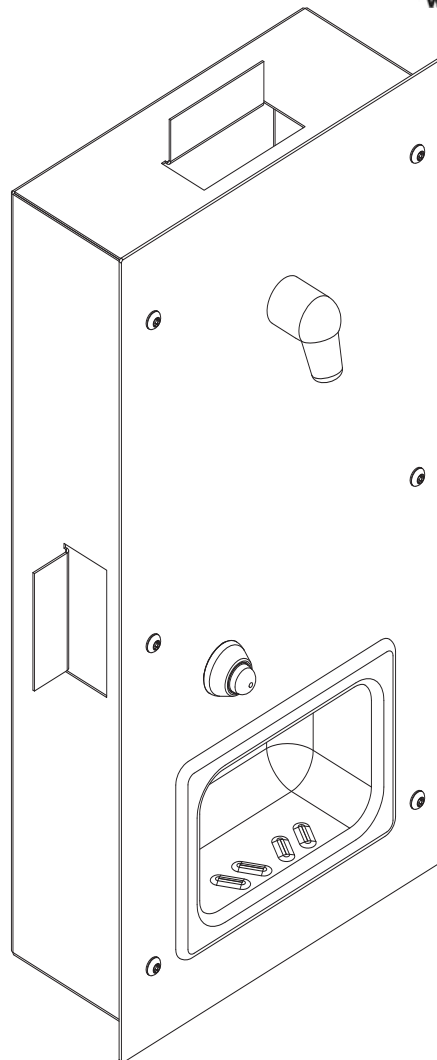


WRS-FA Series Front Mounted Recessed Shower Panel

CAPE COD SYSTEMS CORPORATION
TEL. 1-888-227-8555



(Unit may be shown with optional features)

Recommended Specifications

Front Mounted Recessed Shower Panel shall be:
Willoughby Model No. **WRS-FA**
(Select from model number and options list on next page)

Shower panel shall be fabricated from 14 gauge, Type 304 stainless steel with exposed stainless surfaces polished to a #4 satin finish. Mounting frame shall be fabricated from 18 gauge galvanized steel.

Standard equipment shall include:

- Shower valve (Select from Valve Selection options list)
- (NPS) non-adjustable penel shower head
- In-wall mounting frame

Shower panel shall attach to mounting frame with vandal resistant stainless steel screws. Unit requires no chase area for installation and maintenance.

Optional WaterSense Labeled ligature-resistant shower head available (LRSH).

To specify fixture and accessories, use the Model Number and Options page.

Example: To specify a Front Mounted Recessed Shower Panel with single temp. pneumatic metering valve, standard ligature-resistant pneumatic push button, standard 2.5 GPM flow rate, standard (NPS) shower head, in-line thermostatic mixing valve, and recessed mounted soap dish

Use the following Willoughby Model Number:

WRS-FA-PML1-PBH-2.5GPM-NPS-TMV-RD

CAPE COD SYSTEMS CORPORATION
TEL. 1-888-227-8555
www.capecodsystems.com



WARNING: Cancer and Reproductive Harm

- www.P65Warnings.ca.gov



MODEL NUMBER AND OPTIONS:

1.) Base Model Number:

- WRS-FA Front Mounted Recessed Shower Panel

2.) Valve Selection:

- NV No Valve
 PML1 Single Temp. Pneumatic Metering Ⓢ Ⓜ
 PML2 Dual Temp. Pneumatic Metering Ⓢ Ⓜ
 E1L1 Single Temp. Electronic (Pick Control)* Ⓢ Ⓜ
 E1L2 Dual Temp. Electronic (Pick Control)* Ⓢ Ⓜ
 PBV Pressure-Balancing Mixing Valve
 TPV Temperature/Pressure-Balancing Mixing Valve
 TPLR Ligature-resistant Temp/Pressure-balancing Mixing Valve Ⓜ
 SVC Single Temp. Compression Valve
 DVC Dual Temp. Compression Valves

3.) Push Button Selection:

Pneumatic or Electronic Valves Only:

- PBH Ligature-resistant Pneumatic Push Buttons Ⓢ Ⓜ
 PZPB Ligature-resistant Piezo Electronic Push Buttons* Ⓢ Ⓜ

4.) Flow Rates:

- 2.5 GPM (Standard)
 2.0 GPM
 1.5 GPM

5.) Electronic Controls* (Must Use Electronic Push Button):

- WUSC-2200 WUSC-2400 Pneutronic WMS II

6.) Shower Head Selection:

- NPS Non-adjustable Penal Shower Head (Standard) Ⓢ
 APS Adjustable Penal Shower Head
 UBJ Universal Ball Joint Shower Head
 LBJ Lockable Ball Joint Shower Head
 CSH Ligature-resistant Shower Head Ⓢ Ⓜ
 FX Hand-held Flexshower Head (w/ quick disconnect, vacuum breaker, and (1) hook)
 LRSH Ligature-resistant Shower Head, WaterSense Labeled, 2.0 GPM Max Flow Rate Ⓜ

7.) Options:

- TMV In-line Thermostatic Mixing Valve
 TF24H Hard-wired Transformer, 110VAC to 24VAC*
 TF24P Plug-in Transformer, 110VAC to 24VAC*
 RD Recessed Mounted Soap Dish Ⓢ Ⓜ
 SD Surface Mounted Soap Dish
 HL Hi-Lo (2 Hooks For Flexshower, Wall Mounted)
 SLB24 24" Adjustable Slide Bar (for Flexshower, Wall Mounted)
 Other _____
 Other _____

* (Req. 110V power through ground fault interrupter (GFCI) receptacle / breaker)

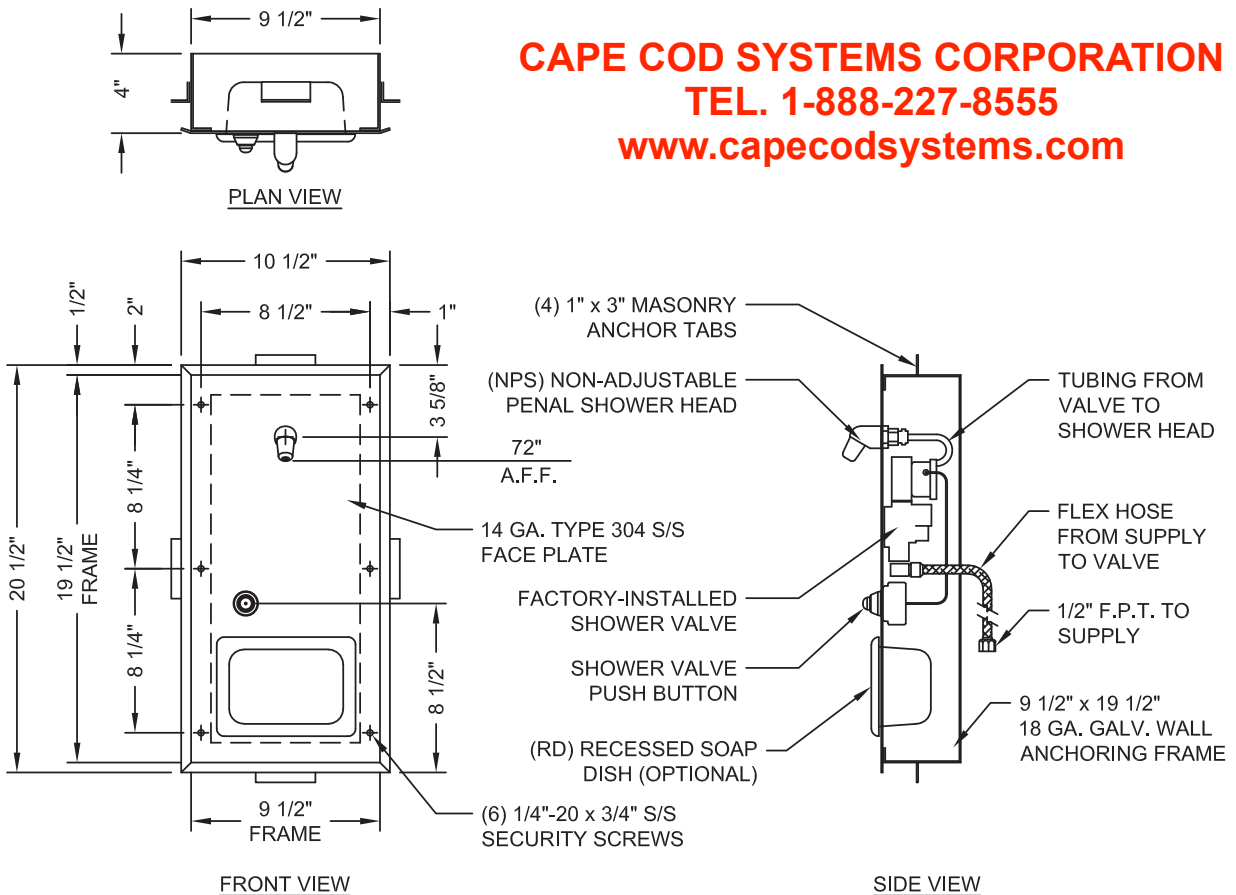
- Ⓢ For security applications
 Ⓜ Ligature-resistant option**

**LIGATURE-RESISTANT DISCLAIMER

This product is designed to minimize ligature points. While every effort has been made to reduce the possibility of ligature points, this product does not eliminate all risks. Ligature-Resistant products by Willoughby Industries are to be used in conjunction with, not as a replacement for, trained professionals.

Approved For Manufacturing By: _____ Date: _____ Company: _____
 Wall Thickness: _____ Wall Type: _____

VERIFY ALL DIMENSIONS WITH FACTORY PRIOR TO ROUGH-IN
 WILLOUGHBY RESERVES THE RIGHT TO MAKE CHANGES IN DESIGN AND DIMENSIONS WITHOUT FORMAL NOTICE AND WITHOUT INCURRING OBLIGATION.



CAPE COD SYSTEMS CORPORATION
TEL. 1-888-227-8555
www.capecodsystems.com

