



CAPE COD SYSTEMS CORPORATION

Division of
 Acorn Engineering Company®



A MEMBER OF



Ligature Resistant Linear Drain for Vinyl Floor

BestCare Ligature Resistant Linear Floor Drain is recommended for patient bathrooms and facilities where accommodation for at risk patients is required. The WHLVD series is designed specifically for Vinyl Flooring or similar water-resistant materials. The Drain system incorporates a Clamping Collar to mechanically clamp the vinyl in place to provide a water-resistant seal. Clamping Collar is 16-gauge type 304 stainless steel with #4 satin finish. Drain Grate has elongated 1/16" wide drain slots to increase ligature resistance and is fabricated of 14-gauge type 304 stainless steel, polished to a #4 satin finish and provided with 1/4-20" vandal resistant, countersunk, stainless steel fasteners. Drain Body is fabricated of 16-gauge type 304 stainless steel and includes Adjustable Height Legs to assist with installation and includes a centered 2" IPS no-hub drain outlet.



WHLVD-24

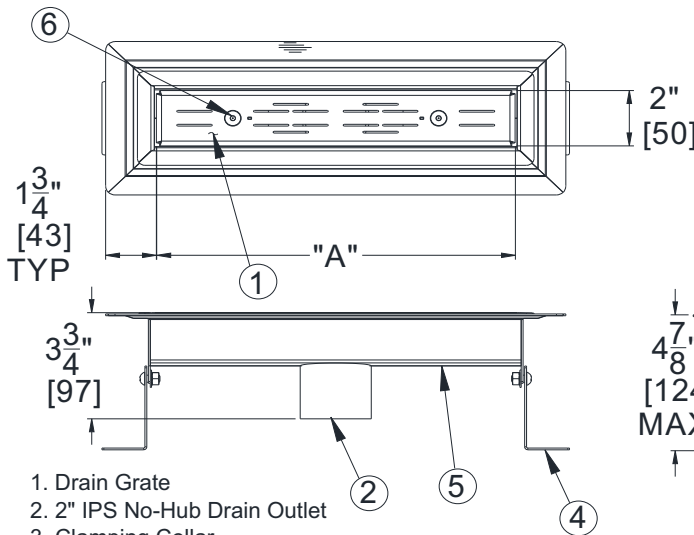
www.capecodsystems.com

MODEL NUMBER AND OPTIONS SELECTION:

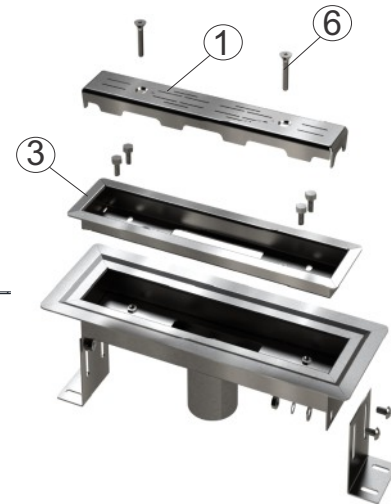
BASE MODEL NUMBER

- WHLVD-12 12" Linear Vinyl Clamping Drain
- WHLVD-24 24" Linear Vinyl Clamping Drain
- WHLVD-36 36" Linear Vinyl Clamping Drain
- WHLVD-48 48" Linear Vinyl Clamping Drain

MODEL NO.	"A"	OPEN AREA
WHLVD-12	12" [305]	3.00 sq. in.
WHLVD-24	24" [610]	5.90 sq. in.
WHLVD-36	36" [914]	9.27 sq. in.
WHLVD-48	48" [1219]	12.50 sq. in.



1. Drain Grate
2. 2" IPS No-Hub Drain Outlet
3. Clamping Collar
4. Adjustable Height Legs
5. Drain Body
6. Vandal Resistant, Countersunk, Stainless Steel Fasteners



CAPE COD SYSTEMS CORPORATION
 TEL. 1-888-227-8555
www.capecodsystems.com

DISCLAIMER:

This product is designed to decrease the probability that it may be utilized as an apparatus for ligature. It is not a replacement for professionals who are trained in the proper evaluation, management and supervision of persons at risk of suicide.

WARNING: Cancer and Reproductive Harm - www.P65Warnings.ca.gov

SELECTION SUMMARY & APPROVAL FOR MANUFACTURING

Model Number & Options _____ Quantity _____
 Company _____ Date _____
 Contact _____ Title _____
 Approval for Manufacturing/Signature _____



All dimensions are nominal and subject to manufacturer's change without notice. Whitehall assumes no responsibility for use of void or superseded data © Whitehall Manufacturing, Member of Morris Group International. Please visit www.whitehallmfg.com for most current specifications.