



**Whitehall Manufacturing**  
 Manufacturer of Healthcare and Rehabilitation Products since 1946

**Dignity Suite™** Healthcare and Ligature Resistant Products

**CAPE COD SYSTEMS CORPORATION**  
**TEL. 1-888-227-8555**

Division of Acorn Engineering Company®



A MEMBER OF



MORRIS GROUP INTERNATIONAL

**Whitehall  
 Ligature Resistant  
 Corterra™ Basin  
 ADA Compliant**

Model WHD-BSN



WHD-BSN-WH3375-SO

[www.capecodsystems.com](http://www.capecodsystems.com)

Fixture May Show Some Available Options

The **BestCare® Dignity Suite** is a curated collection of ligature-resistant bathroom fixtures and accessories. Designed to create a peaceful and well-balanced environment, the Dignity Suite is stylish and sleek while simultaneously protecting patients' safety.

**Dignity Suite Ligature Resistant Corterra™ Basin** is engineered to combine the look and feel of commercial grade designer Basins with durability and economy in mind. Each standard height Washbasin complies with ANSI, UFAS, and ADA requirements. Compliance is subject to the interpretation and requirements of the local code authority.

**Basin** is constructed of Corterra™ Solid Surface Polymer Resin and conforms with ANSI Z124.3 and ANSI Z124.6 and is ANSI/ICPA SS-1 compliant. Color furnished is Blanco OCC11 (White). Unit includes ligature resistant grid strainer with waste piping and 1-1/2" Brass P-Trap.

**Optional Ligature Resistant Faucet** (WH3375-SO shown) is available. **See Individual BestCare Specification Sheets for 4" Centerset Faucet.**

**Optional Mixing Valve WHST70-12** delivers tempered water flow by compensating for pressure and temperature fluctuations and is ASSE 1070 compliant. Valve is factory set to 105° Fahrenheit. Operating range is 30 PSI to 100 PSI.

**Enclosure** conceals P-Trap and optional valve assembly and is fabricated from Corterra Solid Surface with contoured front panel and removable side access panels. Vandal resistant fasteners are provided to facilitate installation. Enclosure assembly is Enviro-glaze™ Snow White (EG-10) powder coat finish.

**GUIDE SPECIFICATION**

Provide Whitehall Ligature Resistant Corterra™ Washbasin. Unit with 34" standard rim height to conform with ANSI, UFAS and ADA Accessibility Standards. Basin, Backsplash and Sidesplashes to be constructed of Corterra™ Solid Surface Polymer Resin. Basin shall include Ligature Resistant Sidesplashes, Ligature Resistant Grid Strainer, Waste Piping and 1-1/2" P-Trap. Washbasin shall conform to ANSI Z124.3 and ANSI Z124.6. P-Trap Enclosure to be constructed of heavy gage, type 304 stainless steel and powder coated white.

Please visit [www.whitehallmfg.com](http://www.whitehallmfg.com) for most current specifications.



Member of U.S. Green Building Council



Recyclable Product



Water Conserving Product



Federal Public Law 111-380 (No Lead)



Whitehall Mfg. • P.O. Box 3527 • City of Industry, CA 91744 • (800) 782-7706 • (626) 968-6681 • Fax (626) 855-4862

**WHD-BSN**

New: 06/28/2021



**CAPE COD SYSTEMS CORPORATION**  
 TEL. 1-888-227-8555  
[www.capecodsystems.com](http://www.capecodsystems.com)

**MODEL NUMBER AND OPTIONS SELECTION:**

**BASE MODEL NUMBER**

WHD-BSN Ligature Resistant Corterra™ Dignity Basin

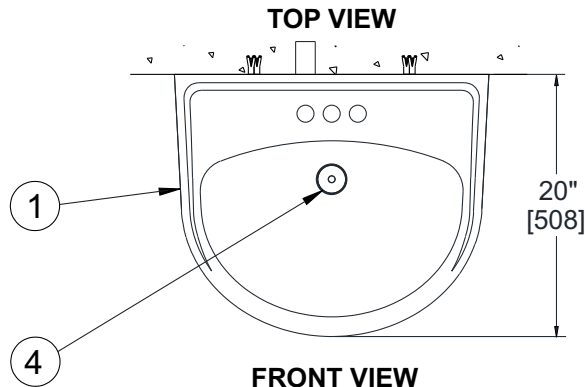
**VALVE SELECTION**

See Individual BestCare Specification Sheets for 4" Centerset Faucet

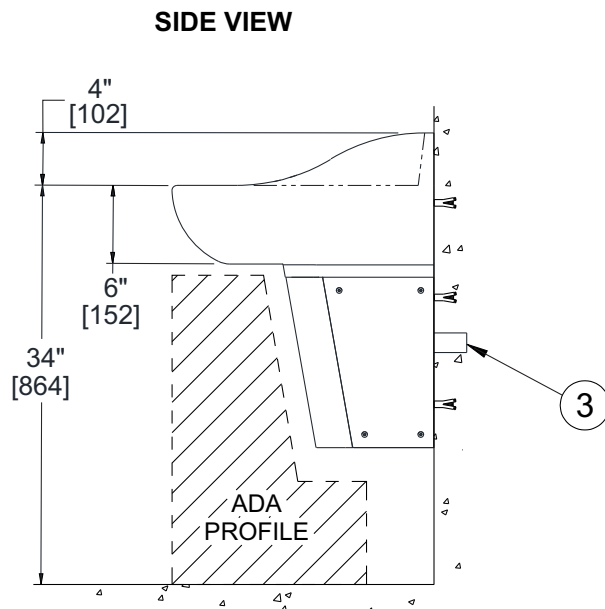
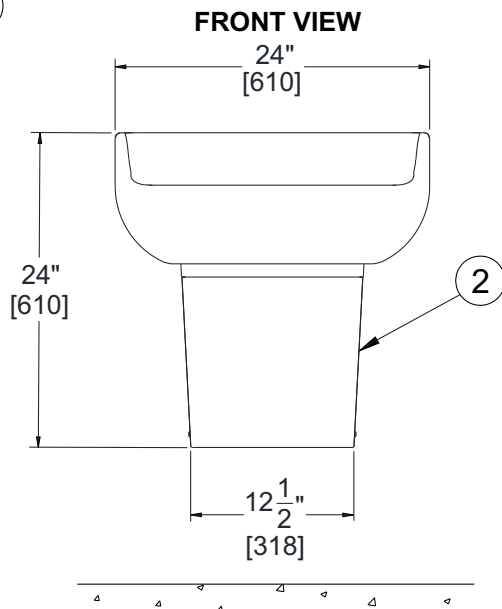
Refer to link: (<https://www.whitehallmfg.com/faucets>)

**PRODUCT OPTIONS**

- MXTP Temperature-Pressure Balancing Mixing Valve (ASSE 1070 Compliant)
- OCC Optional Corterra™ Color - Specify \_\_\_\_\_



- NOTES:**
1. Dignity Basin Assembly
  2. Basin Trap Enclosure Assembly
  3. 1-1/2" OD P-Trap
  4. Ligature Resistant Drain



**WHD-BSN**

**DISCLAIMER:**

This product is designed to decrease the probability that it may be utilized as an apparatus for ligature. It is not a replacement for professionals who are trained in the proper evaluation, management and supervision of persons at risk of suicide.

**⚠ WARNING: Cancer and Reproductive Harm - [www.P65Warnings.ca.gov](http://www.P65Warnings.ca.gov)**

**SELECTION SUMMARY & APPROVAL FOR MANUFACTURING**

Model Number & Options \_\_\_\_\_ Quantity \_\_\_\_\_

Company \_\_\_\_\_ Date \_\_\_\_\_

Contact \_\_\_\_\_ Title \_\_\_\_\_

Approval for Manufacturing/Signature \_\_\_\_\_



All dimensions are nominal and subject to manufacturer's change without notice. Whitehall assumes no responsibility for use of void or superseded data © Whitehall Manufacturing, Member of Morris Group International. Please visit [www.whitehallmfg.com](http://www.whitehallmfg.com) for most current specifications.