



**Whitehall Ligature Resistant
 Shower Bases**

Division of
 Acorn Engineering Company®



A MEMBER OF



WHCSB3636ADA-LRRD-C



WHCSB3636ADA-TD-L

CAPE COD SYSTEMS CORPORATION

Ligature Resistant Shower Base

Ligature Resistant Corterra® Solid Surface Shower Bases combine attractive looks with a spacious, easy to maintain shower receptacle that features a non-slip, matte finish. Shower Base sizes and configurations provide flexibility to best suit the building requirements. Units are designed for versatility, durability and ease of installation. Custom sizes and colors are also available (contact Factory Representative).

Construction is Corterra® cast solid surface, color furnished is Blanco Matte (White) and is Greenguard Gold listed, cUPC certified by IAPMO R&T and complies to ASTM F 462-79 (R-2007), "Standard Consumer Safety Specification for Slip-Resistant Bathing Facilities."

The 3" wide Integral Threshold allows for installation of a Shower Door (provided by others). The three (non-threshold) sides are provided with Integral Tiling Flanges. ADA Compliant Shower Bases are offered for both Transfer and Roll-in shower stalls. These bases are provided with a lowered threshold height and must be recessed into the finished floor to facilitate ADA compliance. Base includes coved interior corners and are pitched to the Drain Outlet to ensure positive drainage.

Standard Drain includes a Ligature Resistant Removable, Stainless Steel Strainer and Vandal Resistant Fasteners and Optional Trench Drain styles include a Ligature Resistant Removable, Stainless Steel Trough Style Grate with vandal resistant fasteners. All units are provided with a 2" No-caulk Drain Connection.

GUIDE SPECIFICATION

Provide and install Ligature Resistant Solid Surface Shower Base (Specify Model Number and Options). Shower Base shall be made of Corterra® Cast Solid Surface and be Greenguard Gold listed, cUPC certified and comply with ASTM F 462-79 (R-2007), "Standard Consumer Safety Specification for Slip-Resistant Bathing Facilities." The three (non-threshold) sides are to be provided with Integral Tiling Flanges. Base shall have coved corners and non-slip, matte finish floor, pitched to the Drain Outlet for positive drainage. No air holes or pits shall be allowed on the finished surface. Drain shall have a <Specify> [Ligature Resistant Removable Stainless Steel Strainer] or [Ligature Resistant Removable Stainless Steel Grate] and shall be provided with a No-caulk Drain connection for a 2" pipe.

Please visit www.whitehallmfg.com for most current specifications.



Member of
 U.S. Green
 Building
 Council



Recyclable
 Product



SteriTouch® (Optional AMA)



MODEL NUMBER AND OPTIONS SELECTION:

BASE MODEL NUMBER: Must Specify

- WHCSB3636
- WHCSB3636ADA
- WHCSB6030
- WHCSB6030ADA

CAPE COD SYSTEMS CORPORATION

TEL. 1-888-227-8555

www.capecodsystems.com

DRAIN OPTIONS: Must Specify

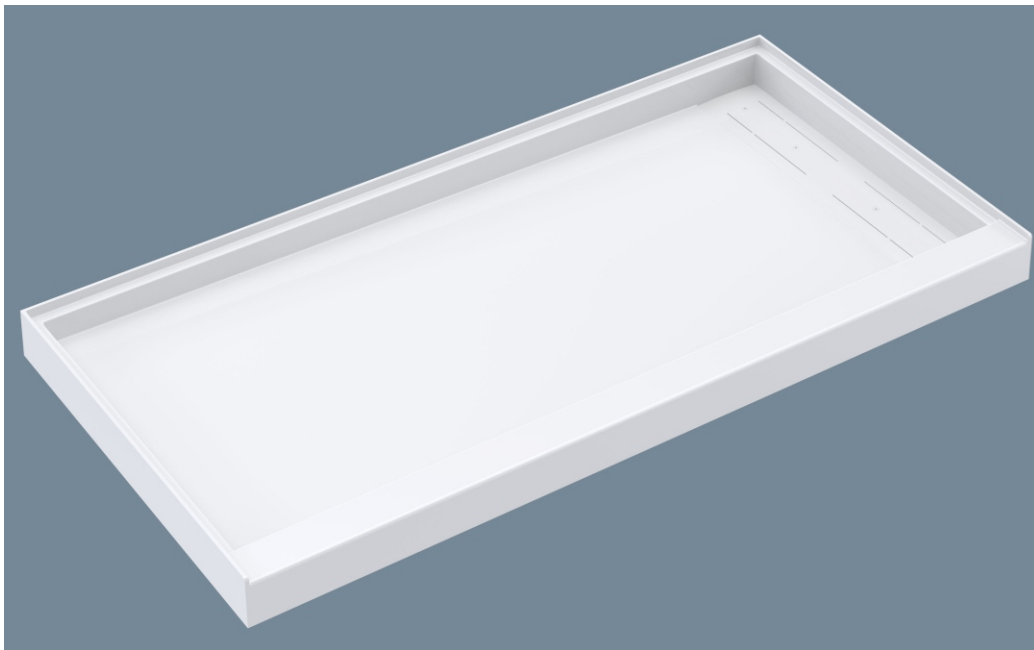
- LRRD Ligature and Vandal Resistant Round Drain
- LRTD Ligature and Vandal Resistant Trench Drain

DRAIN LOCATION: Must Specify

- C Centered Drain (N/A With Optional -TD Trench Drain)
- L Left Hand Drain (From Entry)
- R Right Hand Drain (From Entry)

PRODUCT OPTIONS:

- AMA SteriTouch® Anti-Microbial Additive
- OCC Optional Corterra® Color - Specify _____
 (Refer to <https://www.whitehallmfg.com/product.aspx?ProductId=982>
 for available colors)



WHCSB6036-TD-R

DISCLAIMER:

This product is designed to decrease the probability that it may be utilized as an apparatus for ligature. It is not a replacement for professionals who are trained in the proper evaluation, management and supervision of persons at risk of suicide.

⚠ WARNING: Cancer and Reproductive Harm - www.P65Warnings.ca.gov

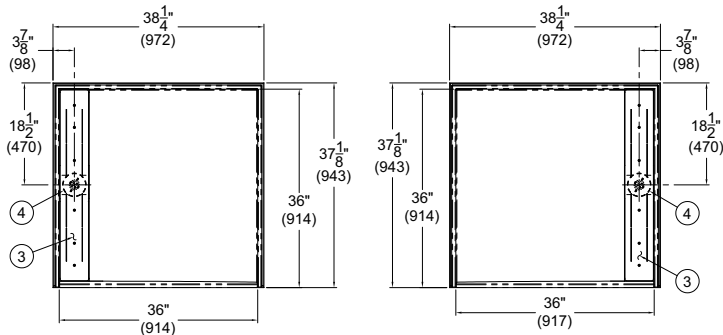
SELECTION SUMMARY & APPROVAL FOR MANUFACTURING

Model Number & Options _____ Quantity _____
 Company _____ Date _____
 Contact _____ Title _____
 Approval for Manufacturing/Signature _____

All dimensions are nominal and subject to manufacturer's change without notice. Whitehall assumes no responsibility for use of void or superseded data Whitehall Manufacturing®, Member of Morris Group International. Please visit www.whitehallmfg.com for most current specifications.



ADA Shower Base Dimensional Information

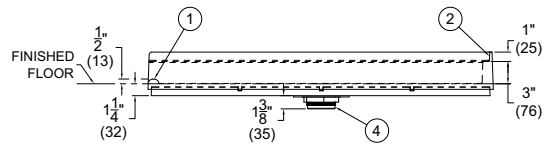


WHCSB3636ADA-TD-L

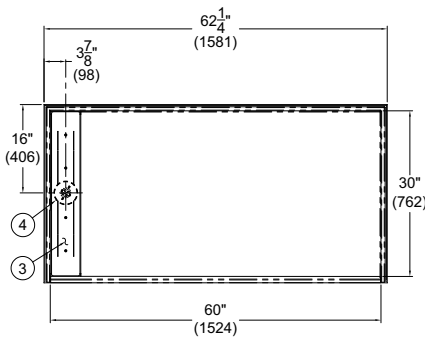
WHCSB3636ADA-TD-R

NOTES:

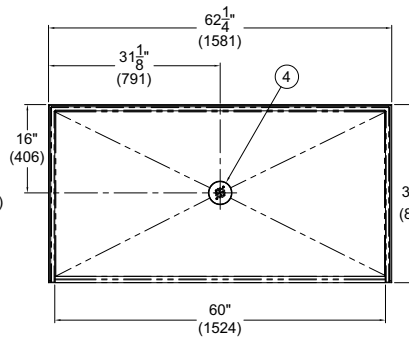
1. THRESHOLD
2. INTEGRAL TILING FLANGE
3. LIGATURE RESISTANT GRATE COVER WITH VANDAL RESISTANT FASTENERS
4. 2" NO-CAULK WASTE CONNECTION WITH LIGATURE RESISTANT STRAINER AND VANDAL RESISTANT FASTENERS



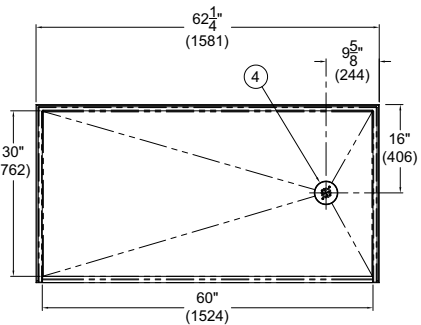
**SIDE VIEW OF ADA TRENCH BASE
 DETAIL NOT TO SCALE**



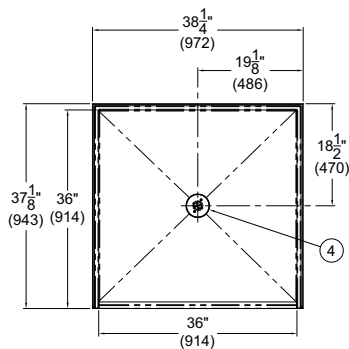
**WHCSB6030ADA-TD-L
 WHCSB6030ADA-TD-R OPPOSITE**



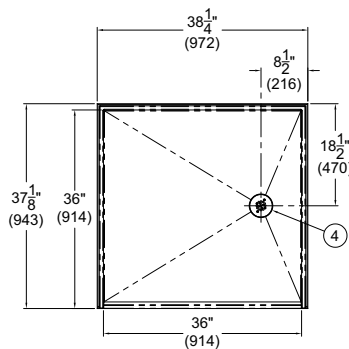
WHCSB6030ADA-C



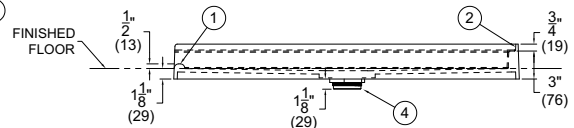
**WHCSB6030ADA-R
 (WHCSB6030ADA-L OPPOSITE)**



WHCSB3636ADA-C



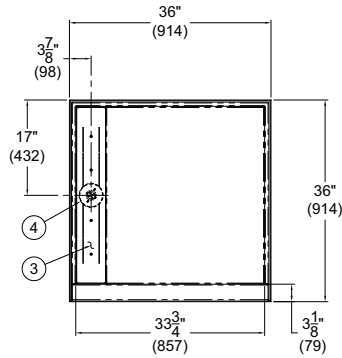
**WHCSB3636ADA-R
 WHCSB3636ADA-L OPPOSITE**



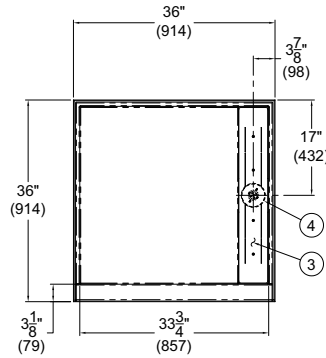
**SIDE VIEW OF ADA BASE
 DETAIL NOT TO SCALE**



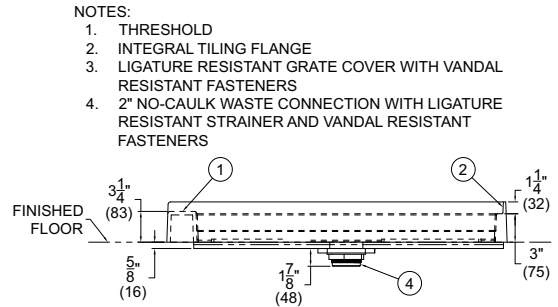
Shower Base Dimensional Information



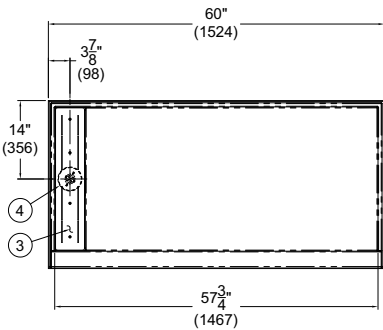
WHCSB3636-TD-L



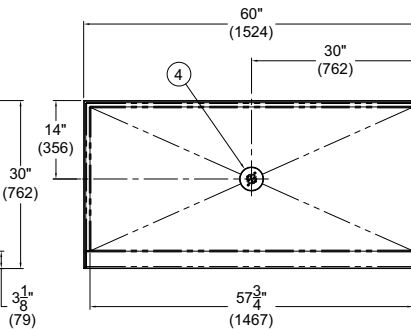
WHCSB3636-TD-R



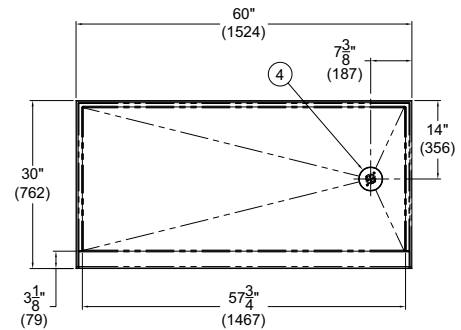
**SIDE VIEW OF TRENCH BASE
 DETAIL NOT TO SCALE**



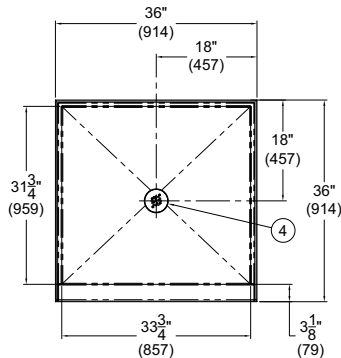
**WHCSB6030-TD-L
 (WHCSB6030-TD-R OPPOSITE)**



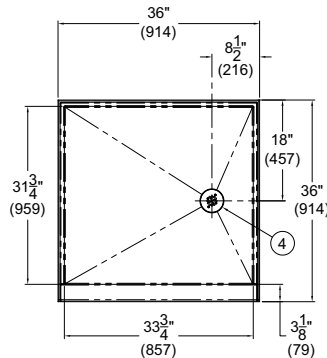
WHCSB6030-C



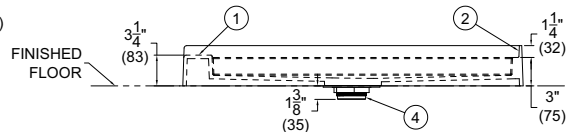
**WHCSB6030-R
 (WHCSB6030-L OPPOSITE)**



WHCSB3636-C



**WHCSB3636-R
 WHCSB3636-L OPPOSITE**



**SIDE VIEW OF STANDARD BASE
 DETAIL NOT TO SCALE**