



Division of  
 Acorn Engineering Company®



A MEMBER OF



# WHBF3 Series

## MODEL WHBF3

SEMI-RECESSED PUSHBUTTON OPERATED  
 LIGATURE RESISTANT CUP FILLER

### STANDARD FEATURES

- 100 mesh inlet strainer
- Laminar Flow Water Supply
- 1 G.P.M. Fill Rate
- Lead Free
- Hinged Door
- Key Latch
- Meets ADA Forward and Side Reach Requirements
- Ligature-Resistant Design
- Vandal-Resistant Design
- White Powder Coating Finish

### SUGGESTED SPECIFICATIONS

Model WHBF3 is a Semi-Recessed Pushbutton operated Ligature Resistant Cup Filler. Cup Filler can be mounted in a 4" or larger wall space for simple installation virtually anywhere. Housing has a slim and trim look that blends into your environment. Unit also has a strong, Ligature Resistant, and Vandal-Resistant design for years of trouble-free service. When installed properly, the Cup Filler complies with ADA forward and side reach requirements. Cup Filler is fabricated of type 304 stainless steel and provided with EG10 White powder coating. Unit is certified to ANSI A117.1, Public Law 111-380 (NO-LEAD), CHSC 116875 and NSF/ANSI 61, Section 9.



Model WHBF3 Shown

**"INDOOR USE ONLY"**

### MODEL:

(Must Specify)

- WHBF3 18 Gage 304 Stainless Steel, with EG10 White Powder Coating

### OPTIONS

(additional costs may be incurred)

- CG1 Custom Graphics
- WF1 1500 gallon capacity, NSF 42+53, 1 micron lead reduction water filter

**Cape Cod Systems**  
**888-227-8555**  
[www.capecodsystems.com](http://www.capecodsystems.com)

Please visit [www.whitehallmfg.com](http://www.whitehallmfg.com) for most current specifications.

Complies with the following standards:



Federal Public Law 111-380 (No Lead)



Member of U.S. Green Building Council



Recyclable Product



Water Conserving Product

⚠ WARNING: Cancer and Reproductive Harm - [www.P65Warnings.ca.gov](http://www.P65Warnings.ca.gov)

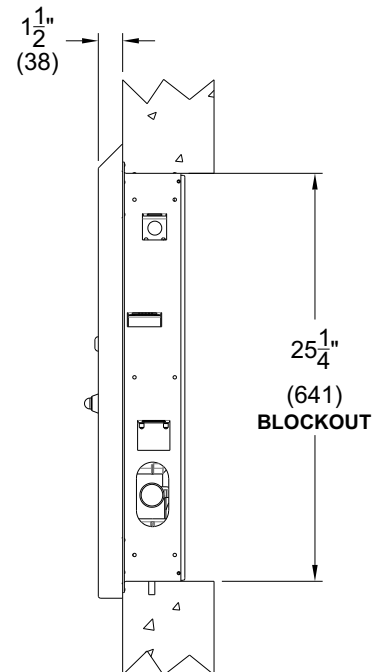
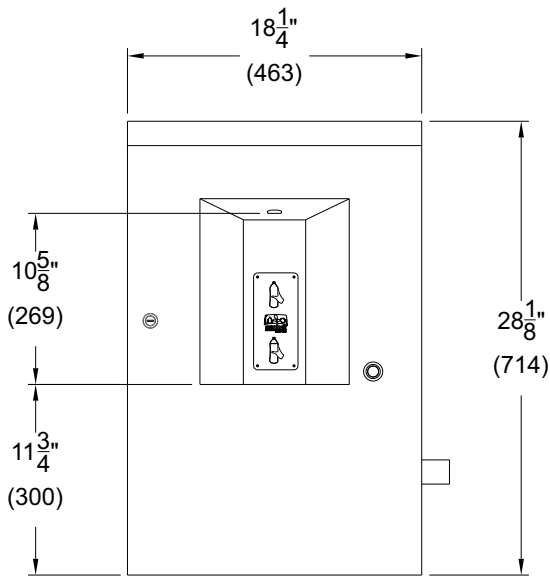
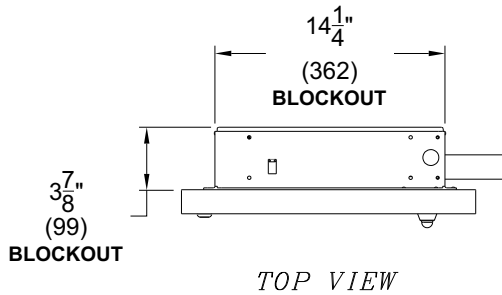


# WHBF3 Series

## MODEL WHBF3

SEMI-RECESSED PUSHBUTTON OPERATED  
 LIGATURE RESISTANT CUP FILLER

Cape Cod Systems  
 888-227-8555  
[www.capecodsystems.com](http://www.capecodsystems.com)



**GENERAL NOTES:**  
 1. ALL DIMENSIONS ARE IN INCHES (MM).

**DISCLAIMER:**

This product is designed to decrease the probability that it may be utilized as an apparatus for ligature. It is not a replacement for professionals who are trained in the proper evaluation, management and supervision of persons at risk of suicide.

**SELECTION SUMMARY & APPROVAL FOR MANUFACTURING**

Model Number & Options \_\_\_\_\_ Quantity \_\_\_\_\_  
 Company \_\_\_\_\_ Date \_\_\_\_\_  
 Contact \_\_\_\_\_ Title \_\_\_\_\_  
 Approval for Manufacturing/Signature \_\_\_\_\_

All dimensions are nominal and subject to manufacturer's change without notice. Whitehall assumes no responsibility for use of void or superseded data © Whitehall Manufacturing, Member of Morris Group International. Please visit [www.whitehallmfg.com](http://www.whitehallmfg.com) for most current specifications.