



Whitehall
Manufacturing™

A MEMBER OF
MORRIS GROUP
INTERNATIONAL

**CAPE COD SYSTEMS
CORPORATION
TEL. 1-888-227-8555**

**Whitehall
Ligature Resistant
ADA & CBC (Calif. Title 24)
Compliant Wall Shower
with Hand Held Shower**

**Models:
WH418ADA-WHCHS
WH418ADA-WHCHS-LRD**

**Best-Care™ Healthcare and Ligature
Resistant Products**



WH418ADA-WHCHS-R

Fixture May Show Some Available Options

Ligature Resistant Accessible Shower

Shower assembly includes Control Valve, Conical Showerhead, Handheld Shower and Hose with Collapsible Mounting Bracket, Diverter Valve, and Recessed Soap Dish option. Shower is to be installed on a finished wall and serviced through a removable front Panel. When installed properly and in accordance with all other Shower Stall Type requirements, unit will conform with 2010 ADA Standards and 2019 California Access Compliance Reference Manual with DSA Access Compliance Code Cycle Supplement, Effective July 1, 2021. Refer to applicable Accessibility Guidelines for complete details.

Note: Compliance is subject to the interpretation and requirements of the local Code Authority.

Shower Panel is fabricated from 18 gage, type 304 stainless steel with a white powder coat finish. In-wall stainless steel Mounting Frame is provided. Controls are 38" to 48" from the finished floor and should be located on wall in accordance with shower stall type and configuration [ADA & CBC 11B: 608.5.1, 608.5.2, 608.5.3]. Stainless steel Recessed Soap Dish is offered and located at 40" maximum from the finish floor for CBC requirements [CBC 11B-608.10].

Fixed Upper Conical Showerhead is provided with 6'-0" discharge height. Showerhead is WaterSense Certified with 1.5 GPM flow rate and is chrome plated brass to provide vandal and ligature resistance. Spray pattern is a non-adjustable multi-stream style.

Ligature Resistant Handheld Shower is provided. Handheld Shower Spray assembly includes Pushbutton for On/Off control with Non-positive

Shutoff, 1.5 GPM Flow Control, 60" long Stainless Steel Hose. Hose assembly is removable and includes a Ligature Resistant Collapsible Mounting Bracket.

Temperature / Pressure Balancing Mixing Valve is IAPMO Certified and delivers blended water to meet performance requirements of ASSE 1016-2011. Control Handle is patented Tri-lever Ligature Resistant design. Valve conforms with lead free requirements of NSF61, Section 9, 1997 and CHSC 116875. Refer to WHSV16 series submittal for additional Data.

Vandal Resistant Stainless Steel Fasteners are provided to complete shower assembly. Wall Fasteners and Wall Anchors are not furnished.

GUIDE SPECIFICATION

Provide and install Best-Care™ Ligature Resistant ADA and CBC Compliant Accessible Shower. Front Mounted Shower Panel provides access and shall be fabricated of 18 gage type 304 stainless steel, powder coated white. Wall Mounting Frame with Tiling Flanges shall be fabricated from type 304 stainless steel. Fixture shall be furnished with WaterSense Certified Conical Showerhead with 1.5 GPM flow rate. Provide Hand Held Shower with Pushbutton for On/Off control with Non-positive Shutoff, 1.5 GPM Flow Control, 60" long Stainless Steel Hose, with Ligature Resistant Collapsible Mounting Bracket. Provide Diverter Valve and ASSE 1016 Compliant Temperature/Pressure Balance Mixing Valve. Both Controls shall be provided with Chrome Plated, Patented ADA Compliant Ligature Resistant Tri-Lever Handles. Housing shall include stainless steel Recessed Soap Dish (Specify). Fixture shall be furnished with necessary fasteners for proper installation.

Please visit www.whitehallmfg.com for most current specifications.



Member of
U.S. Green
Building
Council



Recyclable
Product



Water
Conserving
Product

Complies
with the
following
standards:



Federal
Public Law
111-350
(No Lead)



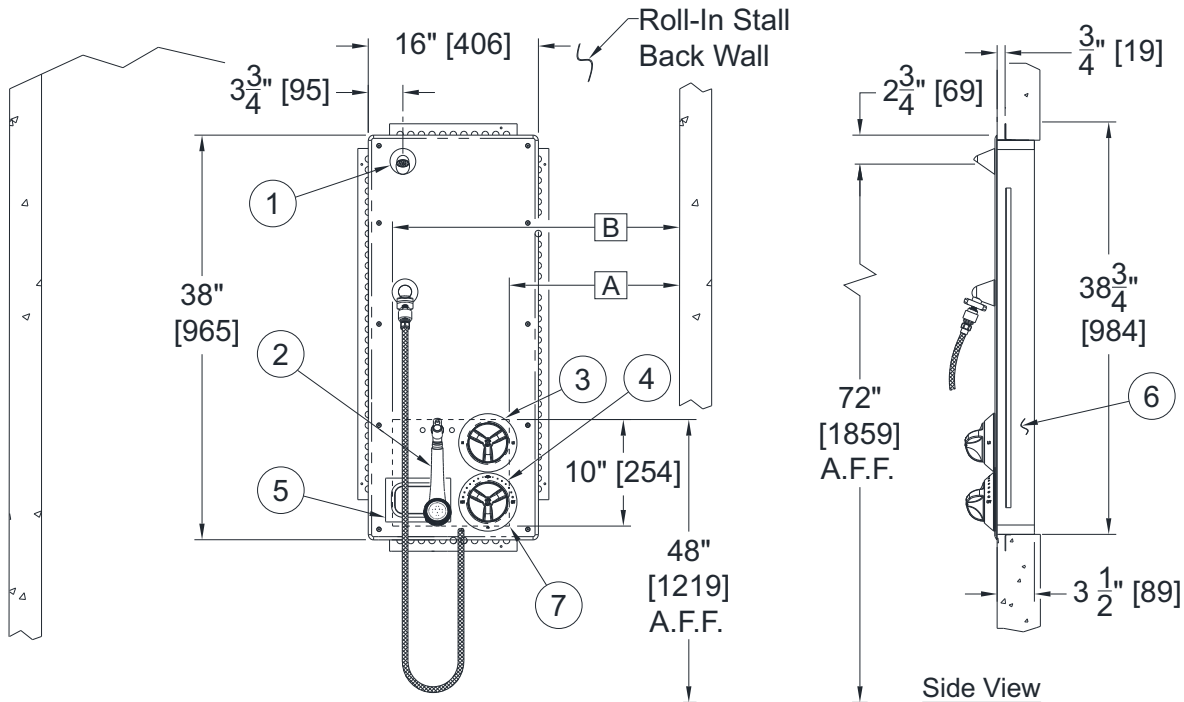
CAPE COD SYSTEMS CORPORATION
TEL. 1-888-227-8555

www.capecodsystems.com

MODEL NUMBER AND OPTIONS SELECTION:

BASE MODEL NUMBER

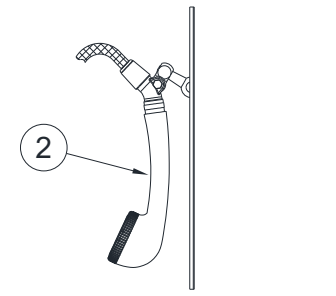
- WH418ADA-WHCHS-L Flush Mount ADA/CBC Wall Shower w/Hand Held Shower - Left Hand Valves
- WH418ADA-WHCHS-R Flush Mount ADA/CBC Wall Shower w/Hand Held Shower - Right Hand Valves
- WH418ADA-WHCHS-LRD-L Flush Mount ADA/CBC Wall Shower w/Hand Held, Less Recessed Soap Dish - L.H. Valves
- WH418ADA-WHCHS-LRD-R Flush Mount ADA/CBC Wall Shower w/Hand Held, Less Recessed Soap Dish - R.H. Valves



Front View Roll-In Type Compartment Shown
Model # WH418ADA-WHCHS-R Shown
Right Hand Valve Orientation Shown - Left Hand Opposite

NOTES:

1. Conical Showerhead: CSH series at 72" Discharge.
2. Handheld Shower with Collapsible Mounting Bracket: WHCHS Series.
3. Diverter Valve: WHDIV with Tri-Lever Handle (Standard).
4. Control Valve: WHSV16 Mixing Valve with Tri-Lever Handle (Standard).
5. Recessed Soap Dish: WH1832 series (Specify).
6. Wall Mounting Frame with Plaster Flanges.
7. Control Area, CBC Standard Roll-In Stall Type Shown. See Dimensional Details.



Hand Held Shower Detail

Dimensional Details		
	A Min.	B Max.
ADA	0"	*27"
CBC	16"	27"

*ADA dim shown is Roll-In Stall with Seat.
Refer to Guidelines for complete details.

DISCLAIMER:

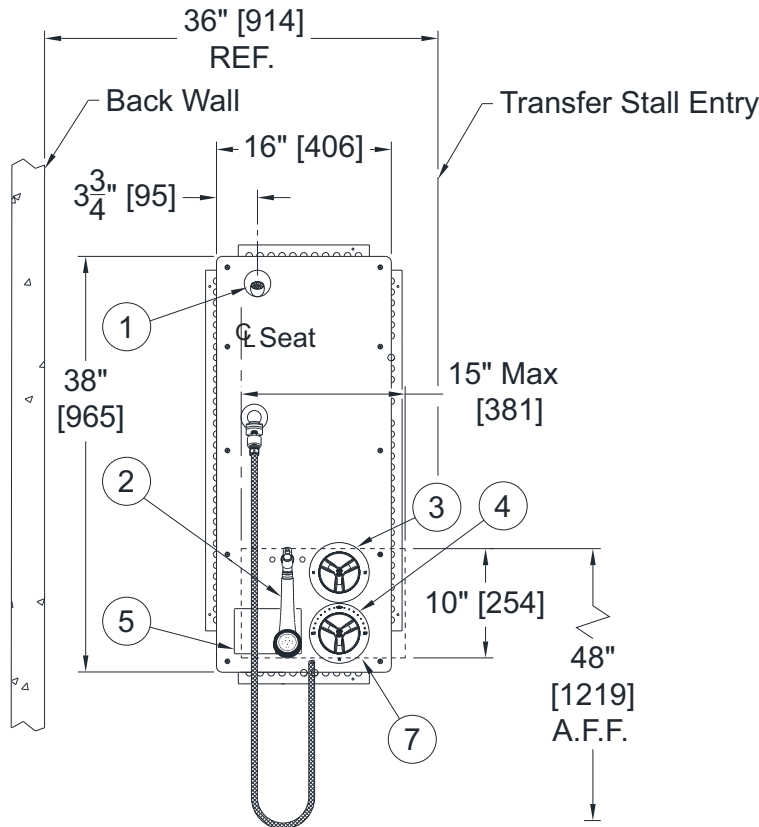
This product is designed to decrease the probability that it may be utilized as an apparatus for ligature. It is not a replacement for professionals who are trained in the proper evaluation, management and supervision of persons at risk of suicide.

⚠ WARNING: Cancer and Reproductive Harm - www.P65Warnings.ca.gov

SELECTION SUMMARY & APPROVAL FOR MANUFACTURING

Model Number & Options _____ Quantity _____
 Company _____ Date _____
 Contact _____ Title _____
 Approval for Manufacturing/Signature _____

Compliance Subject to Local Code Authority.
All dimensions are nominal and subject to manufacturer's change without notice. Whitehall assumes no responsibility for use of void or suspended data © Whitehall Manufacturing, Member of Morris Group International.



Model # WH418ADA-WHCHS-R Shown
 Right Hand Valve Orientation Shown - Left Hand Opposite
 Front View Transfer Type Compartment - Reference Only

NOTES:

1. Conical Shower Head: CSH series at 72" Discharge.
2. Handheld Shower with Collapsible Mounting Bracket: WHCHS Series.
3. Diverter Valve: WHDIV with Tri-Lever Handle (Standard).
4. Control Valve: WHSV16 Mixing Valve with Tri-Lever Handle (Standard).
5. Recessed Soap Dish: WH1832 series (Specify).
6. Wall Mounting Frame with Plaster Flanges.
7. Control Area, ADA/CBC Standard Transfer Stall Type Shown.

* Dimensions shown are Transfer Stall Type with Seat.
 Refer to appropriate Accessibility Guidelines for complete details.

DISCLAIMER:

This product is designed to decrease the probability that it may be utilized as an apparatus for ligature. It is not a replacement for professionals who are trained in the proper evaluation, management and supervision of persons at risk of suicide.

⚠ WARNING: Cancer and Reproductive Harm - www.P65Warnings.ca.gov

SELECTION SUMMARY & APPROVAL FOR MANUFACTURING

Model Number & Options _____ Quantity _____
 Company _____ Date _____
 Contact _____ Title _____
 Approval for Manufacturing/Signature _____

Compliance Subject to Local Code Authority.
 All dimensions are nominal and subject to manufacturer's change without notice. Whitehall assumes no responsibility for use of void or suspended data © Whitehall Manufacturing, Member of Morris Group International.