



Whitehall Manufacturing®
 Manufacturer of Healthcare and Rehabilitation Products since 1946

BestCare®
 Patients, Not Prisoners®

**Healthcare and Ligature
 Resistant Products**

CAPE COD SYSTEMS CORPORATION
TEL. 1-888-227-8555

Division of
 Acorn Engineering Company®



A MEMBER OF



**Whitehall
 Ligature Resistant
 Corterra®
 Dual Basin Vanity
 ADA Compliant**

Model WH3779



Patent #D936,804 S

WH3779-WH3375-SO

www.capecodsystems.com

Fixture May Show Some Available Options

Ligature Resistant Corterra® Dual Basin Vanity is engineered to combine the look and feel of commercial grade designer Basins and Countertops with durability and aesthetics in mind. Each standard height Washbasin complies with ANSI, UFAS, and ADA requirements. Compliance is subject to the interpretation and requirements of the local code authority.

Countertop and Basins are constructed of Corterra® Solid Surface Polymer Resin and conform with ANSI Z124.3 and ANSI Z124.6 and is ANSI/ICPA SS-1 compliant. Corterra® is Greenguard Gold listed. Standard Color furnished is Blanco Matte OCC11M (White). Basin includes Ligature Resistant Sidesplashes, Overflow, Grid Strainer, Waste Piping and 1-1/2" P-Trap.

Optional Ligature Resistant Faucet is available. See Individual BestCare Specification Sheets for 4" Centerset Faucet. (WH3375-SO shown above.)

Optional Mixing Valve WHST70-12 delivers tempered water flow by compensating for pressure and temperature fluctuations and is ASSE 1070 compliant. Valve is to be field set to 105° Fahrenheit. Operating range is 30 PSI to 100 PSI.

Enclosure conceals P-Traps and optional valve assemblies and is fabricated from 18 gage, type 304 stainless steel includes an Access Panels and is powder coated white.

GUIDE SPECIFICATION

Ligature Resistant Corterra® Dual Basin Vanity (specify model number and options). Unit with 34" standard rim height shall conform with ANSI, UFAS and ADA Accessibility Standards. Provide integral "D" Shaped Basin with an Integral, Rear Overflow. Basin, Countertop, Backsplash and Sidesplashes to be constructed of Corterra® Solid Surface Polymer Resin and shall be Greenguard Gold listed. Washbasin shall conform to ANSI Z124.3 and ANSI Z124.6. P-Trap Enclosure shall be constructed of heavy gage, type 304 stainless steel with white powder coat finish.

FIXTURE CERTIFICATION

Corterra™ solid surface polymer fixture complies with:

- IAPMO IGC 156, CSA B45 Series
- ASME A112.18.1/CSA B125.1

MATERIAL CERTIFICATION

Material of construction, Corterra® is flame spread and smoke developed rated "Class A" per the following standards:

- ASTM E84-10
- UL 723
- ANSI/NFPA No. 255
- UBC No. 8-1

Material also complies with Canadian requirements CAN/ULC-S102 for flame spread and smoke developed.

Material of Construction's physical properties in compliance with:

- CSA B45.5/IAPMO Z124
- ANSI/ICPA SS-1

Please visit www.whitehallmfg.com for most current specifications.



Member of
 U.S. Green
 Building
 Council



Recyclable
 Product



Water
 Conserving
 Product



Federal
 Public Law
 111-380
 (No Lead)



Whitehall Mfg. • P.O. Box 3527 • City of Industry, CA 91744 • (800) 782-7706 • (626) 968-6681 • Fax (626) 855-4862

WH3779

New: 02/01/2022



CAPE COD SYSTEMS CORPORATION

TEL. 1-888-227-8555

www.capecodsystems.com

MODEL NUMBER AND OPTIONS SELECTION:

BASE MODEL NUMBER

WH3779 Ligature Resistant Corterra® Dual Basin Vanity

VALVE SELECTION

See Individual BestCare Specification Sheets for 4" Centerset Faucet

(Refer to <https://www.whitehallmfg.com/faucets>)

PRODUCT OPTIONS

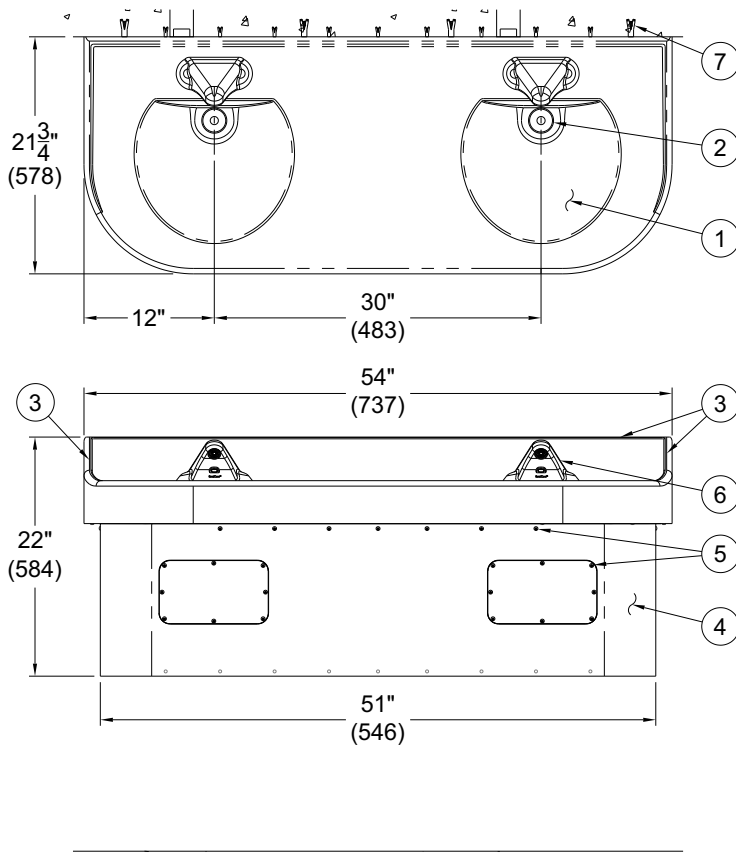
-MC Mounting Carrier

-MXTP Temperature-Pressure Balancing Mixing Valve (ASSE 1070 Compliant)

-OCC Optional Corterra® Color - Specify _____

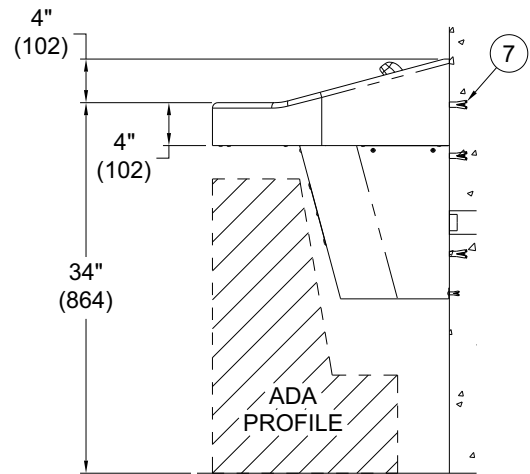
Standard Color furnished is Blanco Matte OCC11M

(Refer to <https://www.whitehallmfg.com/corterra-solid-surface> for available colors)



NOTES:

1. INTEGRAL "D" SHAPED BOWL
2. LIGATURE RESISTANT STRAINER
3. BACK/SIDE SPLASH
4. P-TRAP ENCLOSURE w/ ACCESS PANELS
5. TAMPER RESISTANT SCREWS
6. OPTIONAL WH3375L-SO SHOWN (SPECIFY)
7. WALL ANCHORING HARDWARE (BY OTHERS)



WH3779-WH3375L-SO

CAPE COD SYSTEMS CORPORATION
 TEL. 1-888-227-8555
www.capecodsystems.com

All dimensions are nominal and subject to manufacturer's change without notice. Whitehall assumes no responsibility for use of void or superseded data © Whitehall Manufacturing, Member of Morris Group International. Please visit www.whitehallmfg.com for most current specifications.

DISCLAIMER:

This product is designed to decrease the probability that it may be utilized as an apparatus for ligature. It is not a replacement for professionals who are trained in the proper evaluation, management and supervision of persons at risk of suicide.

WARNING: Cancer and Reproductive Harm - www.P65Warnings.ca.gov

SELECTION SUMMARY & APPROVAL FOR MANUFACTURING

Model Number & Options _____ Quantity _____
 Company _____ Date _____
 Contact _____ Title _____
 Approval for Manufacturing/Signature _____