



Whitehall Manufacturing®
 Manufacturer of Healthcare and Rehabilitation Products since 1946

BestCare®
 Patients, Not Prisoners®

**Healthcare and Ligature
 Resistant Products**

Cape Cod Systems
888-227-8555
www.capecodsystems.com

Division of
 Acorn Engineering Company®



A MEMBER OF



**Whitehall
 Ligature Resistant
 ADA Compliant Bariatric
 Stainless Steel Basin
 Powder Coated White**

Model WH3740BAR



WH3740BAR-WH3377

Fixture May Show Some Available Options

**Ligature Resistant Bariatric
 Stainless Steel Basin**

Ligature Resistant Bariatric Stainless Steel Basin is engineered to combine the look and feel of commercial grade designer basins and countertops with durability and economy in mind. Fixture is rated at 1,000 lbs when used with an appropriate system (Jay R. Smith 0848-M31). Each standard height Washbasin complies with ANSI, UFAS, and ADA requirements. Compliance is subject to the interpretation and requirements of the local code authority.

Countertop and Basin are constructed of 16 gage stainless steel with exposed surfaces powder coated white with a 14 gage stainless steel sub-frame. Basin includes ligature resistant side splashes, overflow, grid strainer, waste piping and 1-1/2" P-Trap.

Optional Ligature Resistant Faucet (WH3377 shown) is available. See **Individual BestCare Specification Sheets for 4" Centerset Faucet**.

Optional Mixing Valve WHST70-12 delivers tempered water flow by compensating for pressure and temperature fluctuations and is ASSE 1070 compliant. Valve is to be field set to 105° Fahrenheit and includes strainers and integral checks. Operating range is 30 to 100 PSI.

Enclosure conceals P-trap and optional valve assembly and is fabricated from 18 gage, type 304 stainless steel, powder coated white.

GUIDE SPECIFICATION

Ligature Resistant Bariatric Stainless Steel Washbasin. Unit with 34" standard rim height to conform with ANSI, UFAS and ADA Accessibility Standards. Provide integral "D" Shaped basin with an integral, rear overflow. Basin, countertop, backsplash and sidesplash to be constructed of type 304 stainless steel. Washbasin shall conform to ANSI Z124.3 and ANSI Z124.6. Trap cover to be constructed of 18 gage, type 304 stainless steel and powder coated white.

Please visit www.whitehallmfg.com for most current specifications.



Member of
 U.S. Green
 Building
 Council



Recyclable
 Product



Water
 Conserving
 Product



Federal
 Public Law
 111-308
 (No Lead)



Whitehall Mfg. • P.O. Box 3527 • City of Industry, CA 91744 • (800) 782-7706 • (626) 968-6681 • Fax (626) 855-4862

WH3740BAR

Updated: 07/15/2022



Cape Cod Systems
 888-227-8555

www.capecodsystems.com

MODEL NUMBER AND OPTIONS SELECTION:

BASE MODEL NUMBER

WH3740BAR Ligature Resistant Bariatric Stainless Steel Washbasin

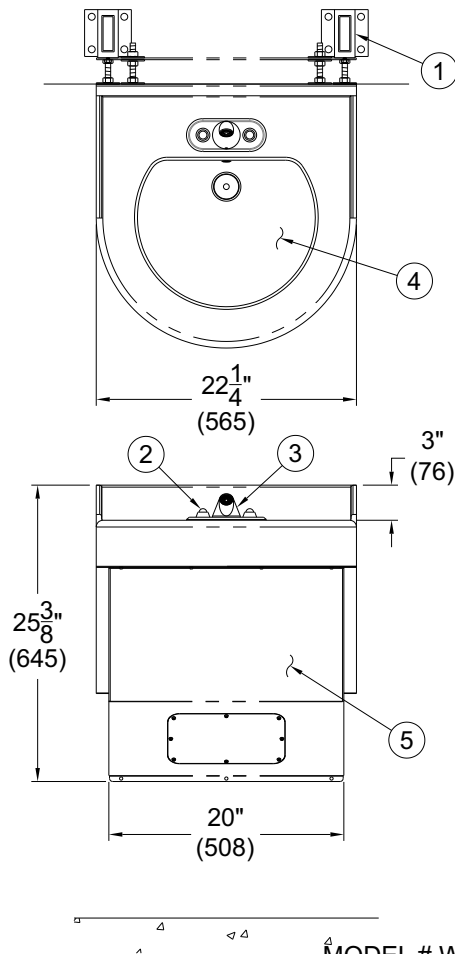
VALVE SELECTION

See Individual BestCare Specification Sheets for 4" Centerset Faucet

PRODUCT OPTIONS

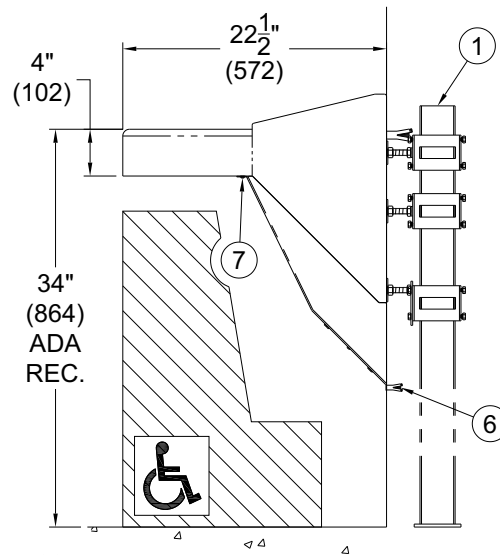
-MC Mounting Carrier

-WHST70-12 Tempering Valve With Integral Mounting Feet Brass Body With 1/2" NPT Connections



NOTES:

1. OPTIONAL -MC BARIATRIC MOUNTING CARRIER, SHOWN FOR REFERENCE ONLY
2. HEMISPHERICAL PUSHBUTTON
3. CONICAL SPRAYHEAD
4. D-SHAPE BOWL
5. ANTI-LIGATURE TRAP COVER
6. WALL ANCHORING HARDWARE (BY OTHERS)
7. TAMPER RESISTANT SCREWS



MODEL # WH3740BAR-WH3377

DISCLAIMER:

This product is designed to decrease the probability that it may be utilized as an apparatus for ligature. It is not a replacement for professionals who are trained in the proper evaluation, management and supervision of persons at risk of suicide.

WARNING: Cancer and Reproductive Harm - www.P65Warnings.ca.gov

SELECTION SUMMARY & APPROVAL FOR MANUFACTURING

Model Number & Options _____ Quantity _____
 Company _____ Date _____
 Contact _____ Title _____
 Approval for Manufacturing/Signature _____

All dimensions are nominal and subject to manufacturer's change without notice. Whitehall assumes no responsibility for use of void or superseded data © Whitehall Manufacturing, Member of Morris Group International. Please visit www.whitehallmfg.com for most current specifications.