



Whitehall Manufacturing[®]
 Manufacturer of Healthcare and Rehabilitation Products since 1946

BestCare[®]
 Patients, Not Prisoners[®]

**Healthcare and Ligature
 Resistant Products**

Cape Cod Systems
 888-227-8555
www.capecodsystems.com

Division of
 Acorn Engineering Company[®]



A MEMBER OF



Whitehall Ligature Resistant Siphon Jet Toilet

Model WH2142-W-EGE10
 (Wall Supply)



WH2142-W-EGE10

Ligature Resistant Siphon Jet Toilet

Ligature Resistant Siphon Jet Toilet is arranged to be installed against a finished wall from the front side with a fixture-to-wall mounting channel. Unit is fabricated from 16 gage, type 304 stainless steel and is seamless welded construction with exterior surfaces powder coated white (interior of toilet will have a satin finish and will not be powder coated). Toilet will be provided with WH-LRSC-GRAY Ligature Resistant ABS Toilet Seat Cover.

Toilet is siphon jet type with an elongated bowl manufactured to comply with ASME A112.19.3 and CSA B45.4 standards. Toilet requires a minimum of 25 PSI flow pressure and uses a minimum water consumption of 1.28 GPF. On-floor units can withstand load rating of 5000 lbs. without permanent damage. Trap has a minimum 3-1/2" seal, will pass a 2-1/8" ball and is fully enclosed. Toilet has a 1-1/2" NPT flushing inlet connection. Wall waste outlet connection is a 5-1/2" gasket flange. Floor waste outlet locations from rear of fixture are 10" or 12" with a 7-1/2 gasket flange.

Optional Flush Valve is concealed type with cast bronze body. Flush valve supply is available in 1.28 GPF and 1.6 GPF. All exposed parts are chrome plated.

GUIDE SPECIFICATION

Provide and install Whitehall Best-Care[™] Ligature Resistant Toilet (specify model number and options). Fixture shall be fabricated from 16 gage, type 304 stainless steel. On-floor units can withstand load rating of 5000 lbs. without permanent damage. Construction shall be seamless welded and exterior surfaces are powder coated white. Housing to include side access panels. Toilet shall be concealed siphon jet type with an elongated bowl and self-draining flushing rim. Toilet shall be ASME A112.19.3 and CSA B45.4 compliant. Toilet requires a minimum of 25 PSI flow pressure and uses a minimum water consumption of 1.28 GPF. Toilet trap shall have a minimum 3-1/2" seal and shall pass a 2-1/8" diameter ball and is fully enclosed. Provided with WH-LRSC-GRAY Ligature Resistant ABS Toilet Seat Cover.

• **Patented US 10,052,000 B2**

Please visit www.whitehallmfg.com for most current specifications.



Member of
 U.S. Green
 Building
 Council



Recyclable
 Product



Water
 Conserving
 Product

Complies
 with the
 following
 standards:



Whitehall Mfg. • P.O. Box 3527 • City of Industry, CA 91744 • (800) 782-7706 • (626) 968-6681 • Fax (626) 855-4862

WH2142-W

Revised: 12/03/21



MODEL NUMBER AND OPTIONS SELECTION:

BASE MODEL NUMBER

- WH2142W-2-EGE10 Wall Outlet, Siphon Jet Toilet
- WH2142W-3-EGE10_10 Floor Outlet, Siphon Jet Toilet (10" rough-in from wall to the center of waste outlet)
- WH2142W-3-EGE10_12 Floor Outlet, Siphon Jet Toilet (12" rough-in from wall to the center of waste outlet)

Optional Flush Valve:

- HET 1.28 GPF
- ULF 1.6 GPF

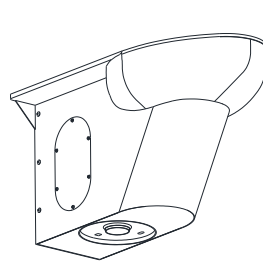
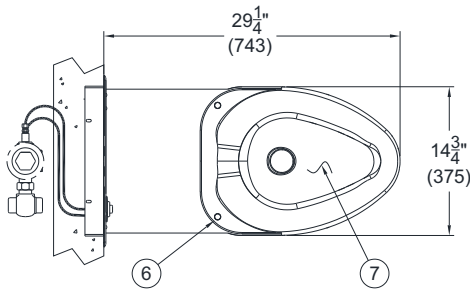
Accessories:

Note: Gray Ligature Resistant Seat Cover is Standard

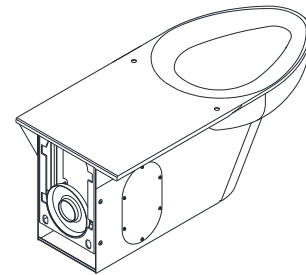
- WH-LRSC-WHITE Ligature Resistant Seat Cover, White (Shipped Loose)
- WH-LRSC-BLACK Ligature Resistant Seat Cover, Black (Shipped Loose)
- WH-LRSC-BLUE Ligature Resistant Seat Cover, Dignity Blue (Shipped Loose)

Cape Cod Systems
888-227-8555

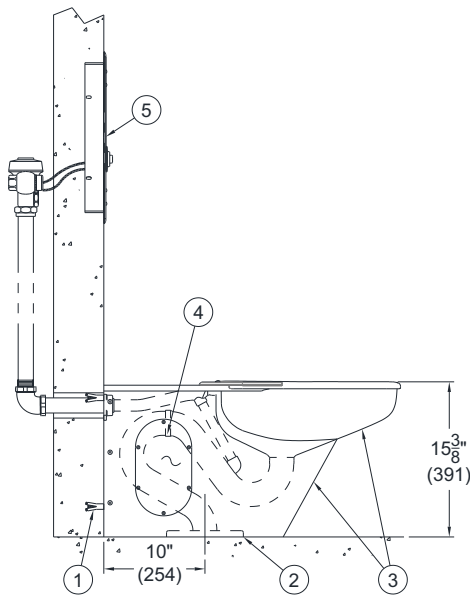
www.capecodsystems.com



FLOOR WASTE
 MODEL #WH2142-W-3



WALL WASTE
 MODEL #WH2142-W-2



MODEL# WH2142-W-3_10 SHOWN

IMPORTANT!
 TOILETS ARE SUPPORTED ON THE FLOOR AND BOLT TO REINFORCED WALL. FIXTURES ARE NOT INTENDED FOR USE WITH TOILET CARRIERS.

NOTES:

1. WALL MOUNTING HARDWARE BY OTHERS
2. -3, FLOOR WASTE OUTLET SHOWN)
3. EXTERIOR SURFACES POWDER COATED WHITE
4. ACCESS PANELS (BOTH SIDES)
5. WH2898-ADA FLUSH VALVE ACCESS PANEL w/ HYDRAULIC FLUSH VALVE SHOWN
6. WH-LRSC-GRAY WHITEHALL LIGATURE RESISTANT ABS TOILET SEAT COVER
7. INTERIOR OF TOILET w/ SATIN FINISH (NOT POWDER COATED)

DISCLAIMER:

This product is designed to decrease the probability that it may be utilized as an apparatus for ligature. It is not a replacement for professionals who are trained in the proper evaluation, management and supervision of persons at risk of suicide.

⚠ WARNING: Cancer and Reproductive Harm - www.P65Warnings.ca.gov

SELECTION SUMMARY & APPROVAL FOR MANUFACTURING

Model Number & Options _____ Quantity _____
 Company _____ Date _____
 Contact _____ Title _____
 Approval for Manufacturing/Signature _____

All dimensions are nominal and subject to manufacturer's change without notice. Whitehall assumes no responsibility for use of void or superseded data © Whitehall Manufacturing, Member of Morris Group International. Please visit www.whitehallmfg.com for most current specifications.