



Division of  
 Acorn Engineering Company<sup>®</sup>



A MEMBER OF

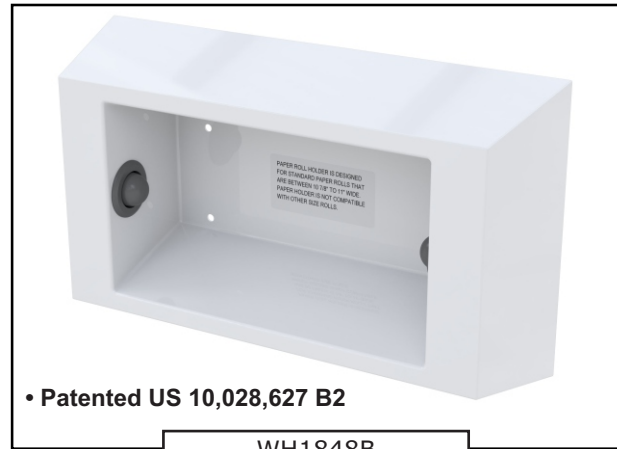


**Ligature-Resistant Spindle Button  
 Surface Mount Paper Towel Holder**

Towel holder is arranged to be installed on finished wall from the front. Towel holder housing fabricated from 16 gage, type 304 stainless steel with all exposed surfaces powder coated white. Towel Holder is furnished with 1/4"-20 UNC tamper resistant screws for use with installer provided wall anchors.

**Cape Cod Systems**  
**888-227-8555**

[www.capecodsystems.com](http://www.capecodsystems.com)



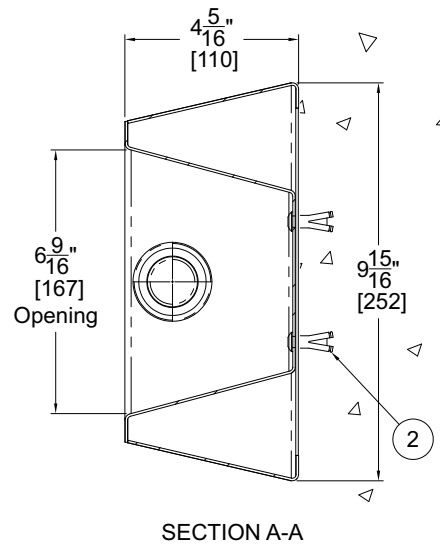
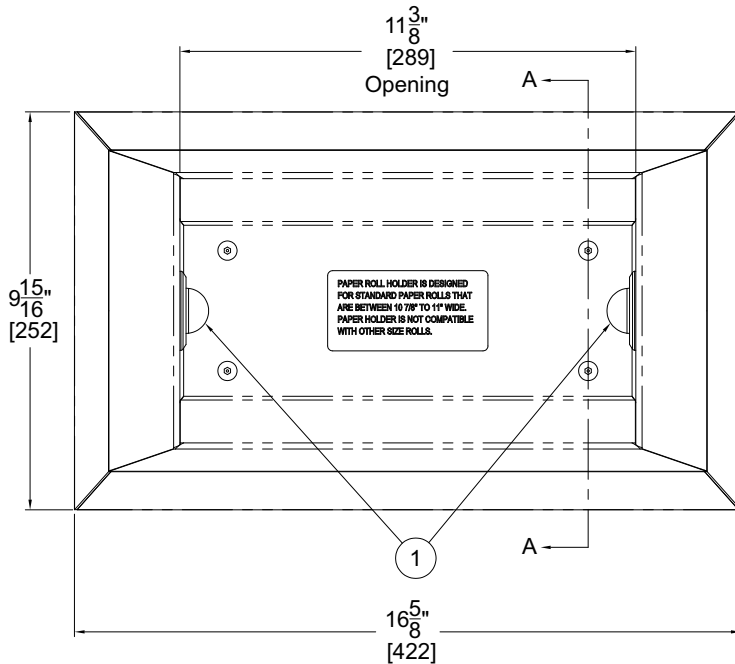
• Patented US 10,028,627 B2

WH1848B

**MODEL NUMBER AND OPTIONS SELECTION:**

**BASE MODEL NUMBER**

WH1848B Ligature-Resistant, Spring-Loaded, Spindle Button, Surface Mount Paper Towel Holder



- NOTES:  
 1. Spring-Loaded Spindle Buttons  
 2. Wall Mounting Anchors By Others

**DISCLAIMER:**

This product is designed to decrease the probability that it may be utilized as an apparatus for ligature. It is not a replacement for professionals who are trained in the proper evaluation, management and supervision of persons at risk of suicide.

**⚠ WARNING: Cancer and Reproductive Harm - [www.P65Warnings.ca.gov](http://www.P65Warnings.ca.gov)**

**SELECTION SUMMARY & APPROVAL FOR MANUFACTURING**

Model Number & Options \_\_\_\_\_ Quantity \_\_\_\_\_  
 Company \_\_\_\_\_ Date \_\_\_\_\_  
 Contact \_\_\_\_\_ Title \_\_\_\_\_  
 Approval for Manufacturing/Signature \_\_\_\_\_



Member of  
 U.S. Green  
 Building  
 Council



Recyclable  
 Product

All dimensions are nominal and subject to manufacturer's change without notice. Whitehall assumes no responsibility for use of void or superseded data © Whitehall Manufacturing, Member of Morris Group International. Please visit [www.whitehallmfg.com](http://www.whitehallmfg.com) for most current specifications.