



Division of
 Acorn Engineering Company®



A MEMBER OF



**Ligature-Resistant Spindle Button
 Semi-Recessed Paper Towel Holder**

Towel Holder is arranged to be installed on finished wall from the front. Towel holder housing fabricated from 16 gage, type 304 stainless steel with all exposed surfaces powder coated white. Flange perimeter edges are beveled to provide a uniform flat surface, ensuring a tight fit on the wall. Towel holder is furnished with 1/4"-20 UNC tamper resistant screws for use with wall anchors to be provided by others.

Cape Cod Systems
888-227-8555



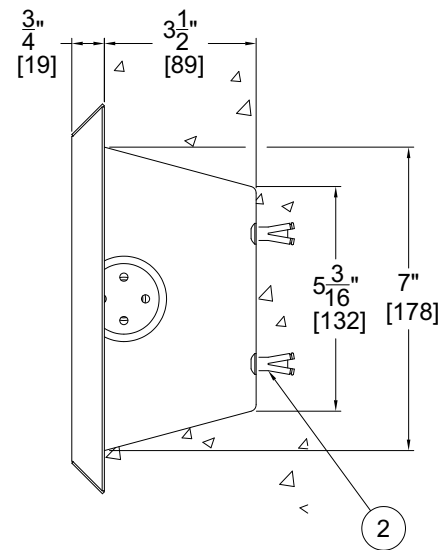
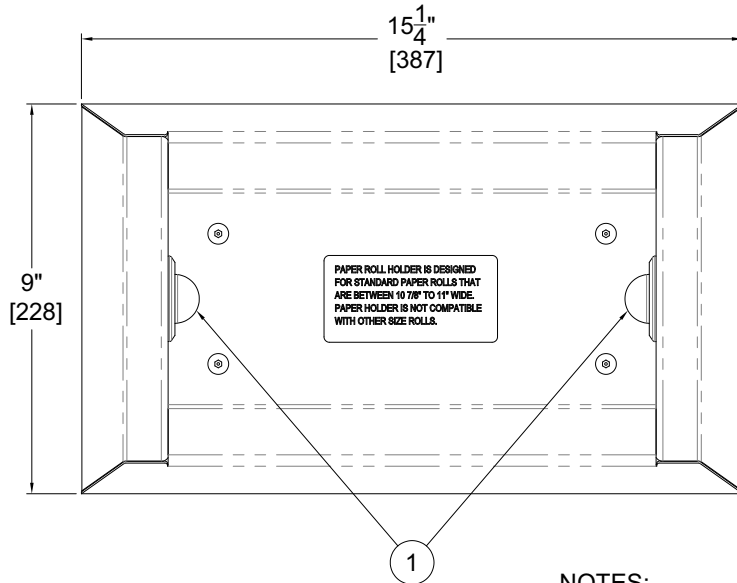
• Patented US 10,028,627 B2

WH1846B

MODEL NUMBER AND OPTIONS SELECTION:

BASE MODEL NUMBER

- WH1846B Ligature-Resistant, Spindle Button, Semi-Recessed Paper Towel Holder (White)
- WH1846B-SS Ligature-Resistant, Spindle Button, Semi-Recessed Paper Towel Holder (Stainless Steel)



NOTES:

1. Spring Loaded Buttons
2. Wall Mounting Anchors By Others

DISCLAIMER:

This product is designed to decrease the probability that it may be utilized as an apparatus for ligature. It is not a replacement for professionals who are trained in the proper evaluation, management and supervision of persons at risk of suicide.

WARNING: Cancer and Reproductive Harm - www.P65Warnings.ca.gov

SELECTION SUMMARY & APPROVAL FOR MANUFACTURING

Model Number & Options _____ Quantity _____
 Company _____ Date _____
 Contact _____ Title _____
 Approval for Manufacturing/Signature _____



Member of
 U.S. Green
 Building
 Council



Recyclable
 Product

All dimensions are nominal and subject to manufacturer's change without notice. Whitehall assumes no responsibility for use of void or superseded data © Whitehall Manufacturing, Member of Morris Group International. Please visit www.whitehallmfg.com for most current specifications.