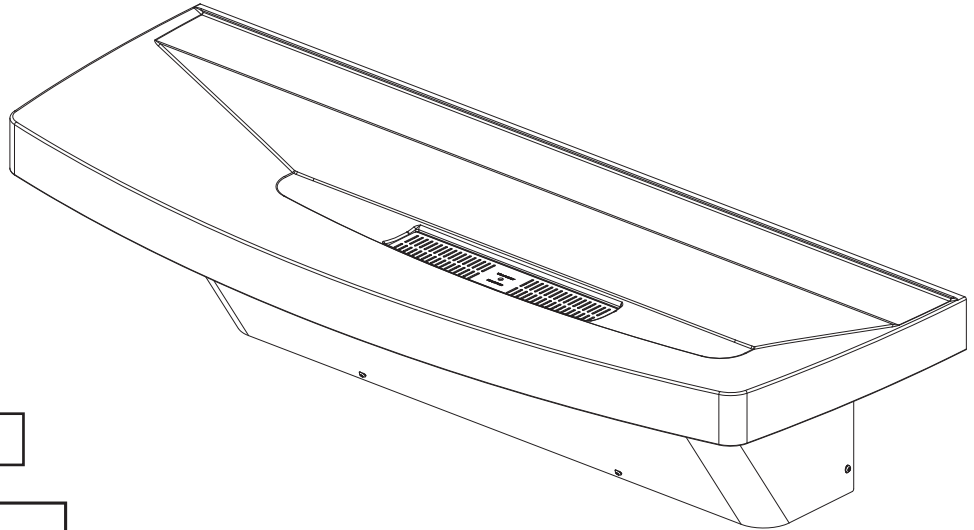


WELS-2260 Envy Series Two Station Solid Surface Lavatory System

CAPE COD SYSTEMS CORPORATION

TEL. 1-888-227-8555

www.capecodsystems.com



PATENTED: D803,996 S



IN COMPLIANCE
WITH A.D.A. 2010

(Unit may be shown with optional features)

To specify fixture and accessories, use the Model Number and Options page.

Example: To specify an Envy Series Two Station Solid Surface Lavatory System with standard wall mounting (34" rim height), two sets of 1" Center Shank faucet holes, in White Granite color

Use the following Willoughby Model Number:

WELS-2260-WALL-1CC-WG

Recommended Specifications

Envy Series Two Station Solid Surface Lavatory System shall be:
Willoughby Model No. **WELS-2260**
(select from model number and options list on next page)

Envy Two Station Solid Surface Lavatory System shall accommodate 1 to 2 users simultaneously. The single-piece lavatory bowl is constructed of Aquasurf® molded cast polymer densified solid surface material, composed of polyester/acrylic resin, UV stabilizer, aluminum trihydrate, mineral fillers and antimicrobial additive*.

Wall-mounted pedestal shall be fabricated entirely from T304 stainless steel, and will feature a removable shroud access panel for ease of fixture installation and maintenance. Included drain grate shall be constructed of heavy gauge stainless steel, and will secure directly to the drain assembly. All exposed stainless steel surfaces shall be polished to a #4 satin finish.

*Antimicrobial properties are built-in to inhibit the growth of bacteria that may affect this product. The antimicrobial properties do not protect users or others against bacteria, viruses, germs, or other disease organisms. Always use good hygienic cleaning practices.

Vandal resistance:

Valves (by others), water supplies, and waste connections are concealed within the pedestal. Removable stainless steel access panel is secured with vandal-resistant security screws. The Aquasurf® solid surface material is resistant to stains, impact and burns. Surface damage can be easily repaired with everyday cleansers and/or fine grit abrasives.

ADA and ANSI Compliant:

The lavatory is designed to comply with all applicable ADA and ANSI Z124.3 and Z124.6 accessibility guidelines, whether mounted at standard adult rim height (34" Max A.F.F.) or (JR) junior height (31" Max A.F.F.)

Optional Features:

Envy Lavatory Systems offer a wall mounted stainless steel kick plate (KPWW) for installations with floor-based plumbing rough-ins.



WARNING: Cancer and Reproductive Harm

- www.P65Warnings.ca.gov



MODEL NUMBER AND OPTIONS:

1.) Washfountain Model:

- WELS-2260 Envoy Series Two Station Solid Surface Lavatory System

2.) Pedestal Type:

- WALL Wall Mounted, Low-profile, All-Stainless Steel Shroud (Standard)

3.) Junior Height Option:

- JR Junior Height (31" Rim Height, JR. ADA Compliant)

4.) Faucet Drilling:

- NV No Valve, No Faucet Holes (Standard)
 4CC Set of 4" Centerset, Ø1-1/4" Holes (Specify 2 or 3 holes: ___)
 8CC Set of 8" Centerset, Ø1-1/4" Holes (Specify 2 or 3 holes: ___)
 1CC Center Shank, (1) Ø1-1/4" Hole
 SP Special Drilling (Specify hole diameter and dimensions)
 SP: _____

5.) Solid Surface Colors:

- BN Bone
 GW Glacier White
 GG Grey Granite
 SS Sandstone
 WG White Granite
 BG Black Granite
 NB Nocturnal Blue
 RC Red Coral
 SG Sea Green

6.) Other Options:

- KPWV Wall Mounted Stainless Steel Kick Plate
 Other _____
 Other _____

CAPE COD SYSTEMS CORPORATION

TEL. 1-888-227-8555

www.capecodsystems.com

PATENTED: D803,996 S

Approved For Manufacturing By: _____ Date: _____ Company: _____
 Wall Thickness: _____ Wall Type: _____

VERIFY ALL DIMENSIONS WITH FACTORY PRIOR TO ROUGH-IN
 WILLOUGHBY RESERVES THE RIGHT TO MAKE CHANGES IN DESIGN AND DIMENSIONS WITHOUT FORMAL NOTICE AND WITHOUT INCURRING OBLIGATION.

