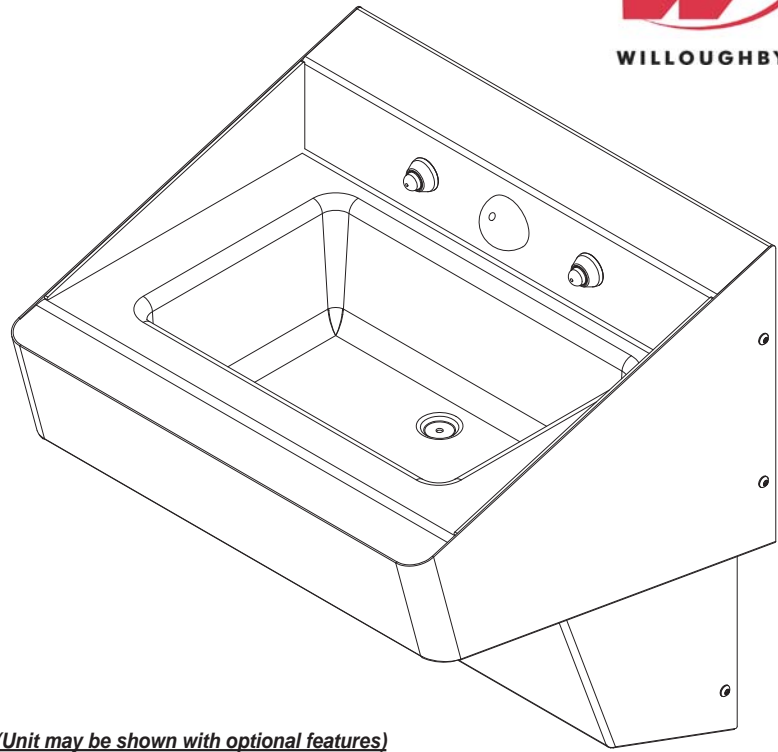




WBLS-2018-HC-FA Stainless Steel Ligature-resistant Front Mounted Behavioral Lavatory

**CAPE COD SYSTEMS
CORPORATION
TEL. 1-888-227-8555**



(Unit may be shown with optional features)



To specify fixture and accessories, use the Model Number and Options page.
Example: To specify a Ligature-resistant Front Mounted Stainless Steel Behavioral Lavatory with ligature-resistant bubbler/filler, dual temp. pneumatic metering valve, ligature-resistant pneumatic push buttons, and removable P-trap
Use the following Willoughby Model Number:
WBLS-2018-HC-FA-BPH-PML2-PBH-RPT

Recommended Specifications

Stainless Steel, Ligature-resistant, Front Mounted, Behavioral Lavatory shall be: Willoughby Model No. **WBLS-2018-HC-FA** (Select from model number and options list on next page)

Wall-hung angular profile fixture shall accommodate one user and is designed to minimize ligature points. Fixture shall be fabricated from 14GA. / 16GA. Type 304 stainless steel. The construction shall consist of an all-welded lavatory cabinet and all-welded trap enclosure, with exposed stainless surfaces polished to a #4 satin finish.

Standard lavatory shall include:

- Rectangular bowl, 14" x 9" x 5" deep
- Stainless steel ligature-resistant bubbler/filler
- Slow drain w/ air vent
- Removable P-trap (1-1/2" F.I.P.)
- Angular profile with sloped top
- Removable trap enclosure attached with security screws
- 0.5 GPM flow rate

* Use "DFBH" suffix to be CBC compliant

Vandal Resistance/Safety Features:

The bubbler, push buttons, and slow drain are non-removable from the user-side and are designed to minimize ligature points. Valve, water supplies, and waste connection are concealed within the trap enclosure. All exposed fasteners shall be vandal-resistant security type screws.

ADA and ANSI Compliant:

When the lavatory is mounted at the standard adult rim height it is designed to comply with all applicable ADA and ANSI (Z124.3 and Z124.6) accessibility guidelines.

Mounting:

Anchoring shall be from the front with mounting plate with anchoring holes. Unit does not require chase area for installation and maintenance; proper backing and anchoring hardware for lavatory mounting provided by others.

LIGATURE-RESISTANT DISCLAIMER

This product is designed to minimize ligature points. While every effort has been made to reduce the possibility of ligature points, this product does not eliminate all risks. Ligature-Resistant products by Willoughby Industries are to be used in conjunction with, not as a replacement for, trained professionals.



WARNING: Cancer and Reproductive Harm

- www.P65Warnings.ca.gov

MODEL NUMBER AND OPTIONS:

1.) Base Model Number:

- WBSL-2018-HC-FA Stainless Steel, Ligature-resistant,
Front Mounted, Behavioral Lavatory

2.) Bubbler Selection:

- BPH Ligature-resistant Bubbler/Filler (Standard)
 FLH Ligature-resistant Lav. Filler

2A.) ADA/CBC Drinking Fountain Bubbler Selection:

- DFBH Ligature-resistant DM Drinking Fountain Bubbler**
** (Compliant to ADA, Sec 602.5, w/ Panel Mounted Push Button)

3.) Lavatory Valve Selection:

- NV No Valve
 PML1 Single Temp. Pneumatic Metering
 PML2 Dual Temp. Pneumatic Metering
 E1L1 Single Temp. Electronic (pick control)*
 E1L2 Dual Temp. Electronic (pick control)*

4.) Lavatory Valve Actuation:

- PBH Ligature-resistant Push Buttons
 PZPB Ligature-resistant Piezo Electronic Push Buttons*

5.) Electronic Controls* (Must Use Electronic Push Button):

- WUCC-3010 Pneutronic WMSII
(The WUCC-3010 Control can be used to pair a Lavatory with a Toilet)

6.) Lavatory Waste:

- RPT Removable P-trap (Standard)
 OV Lavatory Overflow
 SLOW Slow Drain (Standard)

7.) Options:

- MT Wall Template
 TF24H Hard-wired Transformer, 110VAC to 24VAC*
 TF24P Plug-in Transformer, 110VAC to 24VAC*
 TH1 Single Towel Hook
 Right Left
 TH2 Dual Towel Hook
 Right Left
 DC Decorator Color
 TMV In-line Thermostatic Mixing Valve
 Other: _____
 Other: _____

*(Req. 110V power through ground fault interrupter (GFCI) receptacle)

CAPE COD SYSTEMS CORPORATION
TEL. 1-888-227-8555
www.capecodsystems.com

Approved For Manufacturing By: _____ Date: _____ Company: _____
Wall Thickness: _____ Wall Type: _____

VERIFY ALL DIMENSIONS WITH FACTORY PRIOR TO ROUGH-IN
WILLOUGHBY RESERVES THE RIGHT TO MAKE CHANGES IN DESIGN AND DIMENSIONS WITHOUT FORMAL NOTICE AND WITHOUT INCURRING OBLIGATION.

