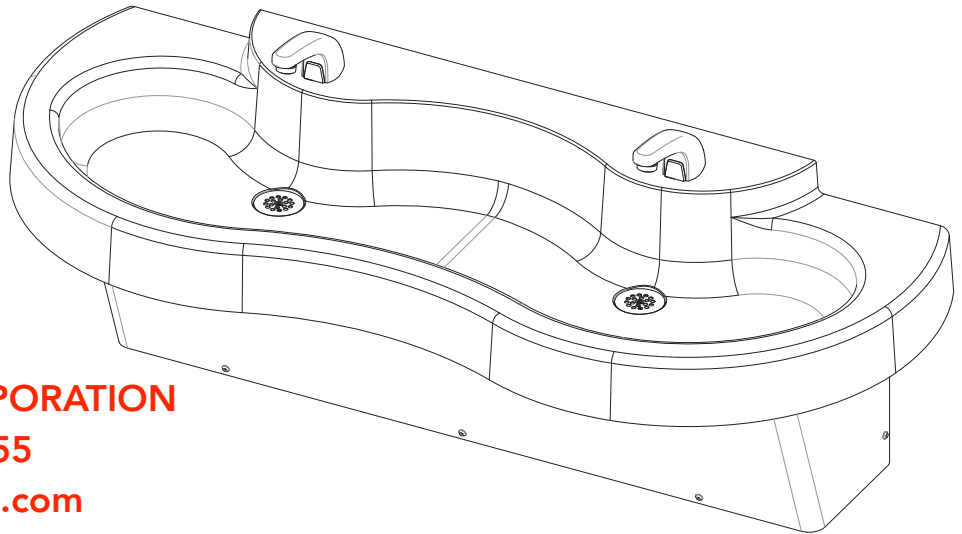


WAW-2322-DMF AquaWave® Two Station Solid Surface Lavatory System for (DMF) Deck Mounted Faucets

CAPE COD SYSTEMS CORPORATION

TEL. 1-888-227-8555

www.capecodsystems.com



IN COMPLIANCE
WITH A.D.A. 2010

(FAUCETS SHOWN FOR ILLUSTRATIVE PURPOSES ONLY; FAUCETS SUPPLIED BY OTHERS)

(Unit may be shown with optional features)

To specify fixture and accessories, use the Model Number and Options page.

Example: To specify a two station AquaWave® lavatory for a deck mounted faucet with standard wall mounting (34" rim height), two sets of 4" Centerset 1" faucet holes, in White Granite color

Use the following Willoughby Model Number:

WAW-2322-DMF-WALL-4CC-WG

Recommended Specifications

AquaWave® Two Station, Solid Surface Lavatory System for use with Deck Mounted Faucets shall be:

Willoughby Model No. **WAW-2322-DMF**

(select from model number and options list on next page)

AquaWave® Lavatory System shall accommodate 1 to 2 users simultaneously. The lavatory system bowl is constructed of Aquasurf® molded cast polymer densified solid surface material composed of polyester/acrylic resin, UV stabilizer, aluminum trihydrate, mineral fillers and antimicrobial additive*. The pre-assembled low-profile pedestal base and included drain grates shall be constructed of heavy gauge, Type 304 stainless steel. Exposed stainless steel surfaces shall be polished to a #4 satin finish.

*Antimicrobial properties are built-in to inhibit the growth of bacteria that may affect this product. The antimicrobial properties do not protect users or others against bacteria, viruses, germs, or other disease organisms. Always use good hygienic cleaning practices.

Vandal resistance:

Valves (by others), water supplies, and waste connections are concealed within the pedestal. Removable shroud is secured with vandal-resistant security Torx screws. The Aquasurf® solid surface material is resistant to stains, impact and burns. Surface damage can be easily repaired with everyday cleansers and/or fine grit abrasives.

ADA, TAS, and ANSI Compliant:

The lavatory is designed is designed to comply with all applicable ADA, TAS, and ANSI Z124.3 and Z124.6 accessibility guidelines, whether mounted at standard adult rim height (34" Max AFF) or (JR) junior height (31" Max AFF).

Optional Features:

AquaWave® Lavatory Systems offer liquid soap dispensers as optional accessories. A wall mounted stainless steel kick plate (KPWF) is available for installations with floor-based plumbing rough-ins.



WARNING: Cancer and Reproductive Harm

- www.P65Warnings.ca.gov



MODEL NUMBER AND OPTIONS:

1.) Washfountain Model:

- WAW-2322-DMF AquaWave® 2 Station Solid Surface Lavatory System for Deck Mounted Faucets

2.) Pedestal Type:

- WALL Wall Mounted, Low-profile, All-Stainless Steel Shroud (Standard)

3.) Junior Height Option:

- JR Junior Height (31" Rim Height, JR. ADA Compliant)

4.) Faucet Drilling:

- NV No Valve, No Faucet Holes (Standard)
 4CC Set of 4" Centerset, Ø1-1/4" Holes (Specify 2 or 3 holes: ___)
 8CC Set of 8" Centerset, Ø1-1/4" Holes (Specify 2 or 3 holes: ___)
 1CC Center Shank, (1) Ø1-1/4" Hole
 SP Special Drilling (Specify hole diameter and dimensions)
 SP: _____

5.) Solid Surface Colors:

- BN Bone
 GW Glacier White
 GG Grey Granite
 SS Sandstone
 WG White Granite
 BG Black Granite
 NB Nocturnal Blue
 RC Red Coral
 SG Sea Green

6.) Other Options:

- LSDM Liquid Soap Dispensers- Deck-mounted Spout and Bottle
 KPWW Wall Mounted Stainless Steel Kick Plate
 Other _____
 Other _____

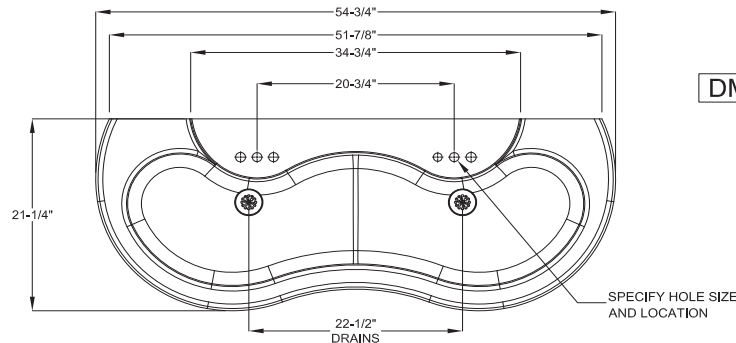
CAPE COD SYSTEMS CORPORATION

TEL. 1-888-227-8555

www.capecodsystems.com

Approved For Manufacturing By: _____ Date: _____ Company: _____

Wall Thickness: _____ Wall Type: _____



DMF

IN COMPLIANCE WITH A.D.A. 2010

*NOTE:
 33-1/2" RIM HEIGHT SHOWN (34" MAX ADULT ADA)
 ADA) ADJUST DIMENSIONS FOR ACCORDINGLY ALTERNATE HEIGHTS

VERIFY ALL DIMENSIONS WITH FACTORY PRIOR TO ROUGH-IN
 WILLOUGHBY RESERVES THE RIGHT TO MAKE CHANGES IN DESIGN AND DIMENSIONS WITHOUT FORMAL NOTICE AND WITHOUT INCURRING OBLIGATION.

