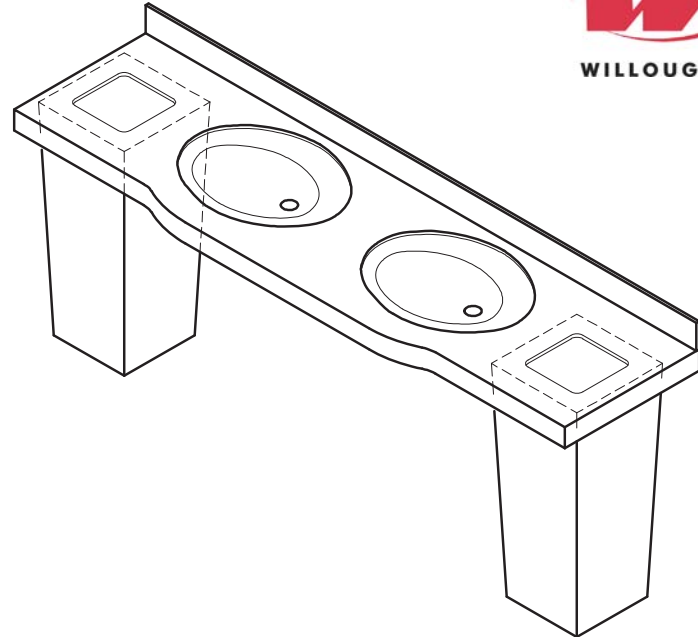


AquaDeck 2260 Series Contoured Front Solid Surface Lavatory Deck



CAPE COD SYSTEMS CORPORATION

TEL. 1-888-227-8555

www.capecodsystems.com



(Unit may be shown with optional features)

To specify fixture and accessories, use the Model Number and Options Guide.

Example: To specify an AquaDeck 2260 Series, Contoured Front, Solid Surface Lavatory Deck with the trash receptacle design option, no faucet holes (standard), Sea Green color, bullnose front edge, and right and left integral side aprons

Use the following Willoughby Model Number:

WAD-2260-2-W-SS-TR-NV-SG-BLN-WAD-APIS-422R-WAD-APIS-422L

Recommended Specifications

AquaDeck 2260 Series, Contoured Front, Solid Surface Lavatory Deck shall be:

Willoughby Model No. **WAD-2260**

(Select from model number and options list on next page)

The lavatory deck shall be constructed of Aquasurf® molded cast polymer densified solid surface material composed of polyester/acrylic resin, UV stabilizer, aluminum trihydrate, mineral fillers and antimicrobial additive*. The Aquasurf® solid surface material is resistant to stains, impact and burns. Surface damage can be easily repaired with everyday cleansers and/or fine grit abrasives.

AquaDeck lavatory deck shall be a modular cast component with standard integral features:

- Contoured front apron
- Oval bowl with soap/faucet ledge
- 4" coved backsplash
- All square-eased front edges
- Basin overflow
- Drain hole for 1-1/4" pop-up drain

Mounting:

Unit is designed to be supported by in-wall carriers (supplied by others). Optional stainless steel wall mounting brackets are available; specify left or right brackets when ordering.

ADA, TAS, and ANSI Compliant:

When the lavatory deck is mounted at the standard 34" adult rim height, it complies with applicable ADA, TAS, and ANSI Z124.3 and Z124.6 accessibility guidelines.

Optional Features:

The AquaDeck WAD-2260 (W-SS-TR) Waste Receptacle Design option (shown above) adds (2) stainless steel waste receptacles and (15") deck extensions with waste cut-outs to both sides of the lavatory deck. Cut-outs are positioned to provide ease of waste disposal into the receptacles below.

AquaDeck lavatory decks offer liquid soap dispensers as optional accessories.

AquaDeck lavatory decks can be ordered with Bullnosed or Beveled front edge styles instead of standard square-eased edges and/or 31" rim heights for juvenile use (JR).

***Antimicrobial properties are built-in to inhibit the growth of bacteria that may affect this product. The antimicrobial properties do not protect users or others against bacteria, viruses, germs, or other disease organisms. Always use good hygienic cleaning practices.**



WARNING: Cancer and Reproductive Harm

- www.P65Warnings.ca.gov



MODEL NUMBER AND OPTIONS:

1.) Lavatory Model:

- WAD-2260 AquaDeck 2260 Series, Contoured Front,
Solid Surface Lavatory Deck

2.) Number of Wash Stations:

- 1 2

3.) Waste Receptacle Design Option (WAD-2260 only):

- W-SS-TR (2) Stainless Steel Waste Receptacles (Option adds
(15") deck extensions to both sides of the deck)

4.) Hole Drilling Selection (Faucet by Others):

- NV No Faucet Holes (Standard)
 4CC 4" Centerset, \varnothing 1-1/4" Holes (Specify 2 or 3 holes: ___)
 8CC 8" Centerset, \varnothing 1-1/4" Holes (Specify 2 or 3 holes: ___)
 1CC Center Shank, (1) \varnothing 1-1/4" Hole
 SP Special Drilling (Specify hole drilling dim.)
 SP: _____

6.) Edge Style:

- Square-eased Front Edge (Standard)
 BLN Bullnosed
 BV Beveled

7.) Options:

- LSDM Liquid Soap Dispensers- Deck-mounted Spout and Bottle
 JR Junior Height, 31" Rim Height (JR. ADA Compliant)
 WADSS-BRKT-R Wall Mounting Bracket- Right
 WADSS-BRKT-L Wall Mounting Bracket- Left
 WADSS-0422R Right Side Splash
 WADSS-0422L Left Side Splash
 WAD-APIS-422R Integral Right Side Apron
 WAD-APIS-422L Integral Left Side Apron
 W-SS-DS54 54" Stainless Steel Modular Drain Shroud
 Other _____
 Other _____

5.) Solid Surface Colors:

- BN Bone
 GW Glacier White
 GG Grey Granite
 SS Sandstone
 WG White Granite
 BG Black Granite
 NB Nocturnal Blue
 RC Red Coral
 SG Sea Green

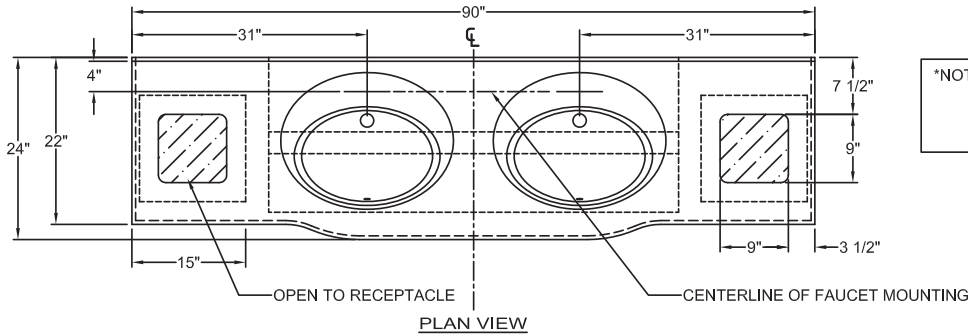
CAPE COD SYSTEMS CORPORATION

TEL. 1-888-227-8555

www.capecodsystems.com

Approved For Manufacturing By: _____ Date: _____ Company: _____
 Wall Thickness: _____ Wall Type: _____

VERIFY ALL DIMENSIONS WITH FACTORY PRIOR TO ROUGH-IN
 WILLOUGHBY RESERVES THE RIGHT TO MAKE CHANGES IN DESIGN AND
 DIMENSIONS WITHOUT FORMAL NOTICE AND WITHOUT INCURRING OBLIGATION.



*NOTE: 34" RIM HEIGHT SHOWN (MAX ADULT ADA) ADJUST DIMENSIONS ACCORDINGLY FOR ALTERNATE HEIGHTS (31" MAX JR. ADA)

IN COMPLIANCE WITH A.D.A. 2010

