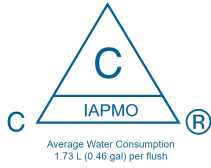


BARREN WATERLESS URINAL



Cape Cod Systems
888-227-8555
www.capecodsystems.com

features and benefits

- Satin stainless body and mirror stainless bowl
- No cartridge, bio-block or sealant fluids required
- The cheapest waterless urinal to maintain
- Ultra vandal resistant waterless urinal
- Fully concealed plumbing connections
- Quick and easy to install
- IAPMO Certified
- Grade 304 SS (1.2mm -16/18 gauge)

about

The *BRITEX Barren Waterless Urinal* is a contemporary looking urinal which provides enormous water saving benefits without compromising on aesthetics. Key to the Barren is its unique outlet that requires no costly replaceable cartridge, sealant fluid or biological block. Instead, the Barren utilises a self-sealing one-way diaphragm that allows urine to pass, whilst trapping odours within the plumbing. Robust in construction but sleek in profile, the Barren Waterless Urinal is highly vandal resistant and easily retrofitted. Perfect for public toilets, clubs and hotels.

sample spec. text

BRITEX 'Barren' Stainless Steel Waterless Urinal Pod - IAPMO Certified. Supplied complete with Waterless one-way valve outlet - Product Code US-UBW

*RED TEXT may denote a **variable** where one option only is to be selected, a **nominal dimension** that needs to be specified, or an **optional feature** that can be removed if not required. Please refer to the back of this page for additional specification details and options.

VISIT BRITEXUSA.COM TO DOWNLOAD THE MOST CURRENT PRODUCT LITERATURE.

BARREN WATERLESS URINAL

PRODUCT CODE

US-UBW

FULLY WATERLESS

- No water connection

Cape Cod Systems

888-227-8555

www.capecodsystems.com

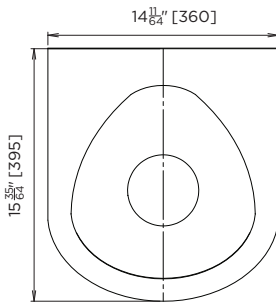
Suggested Mounting Heights:

Dimension from finished floor to front edge/rim of urinal

Adults - 610 mm

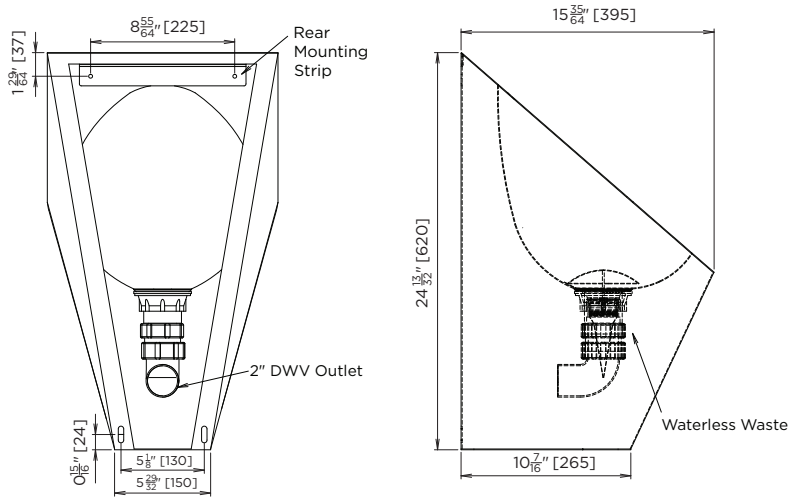
Juniors - 510 mm

NB: Heights are suggestions only, subject to suitability of users for each individual project.

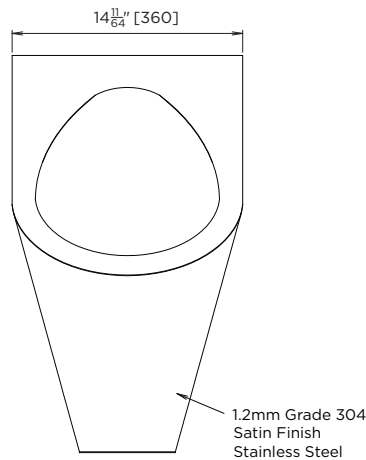


MODEL US-UBW Plan

Internal waste connection can be accessed through a void in the underside of the urinal body = 110mm x 200mm.



MODEL US-UBW Rear Elevation and Section



MODEL US-UBW Front Elevation

When specifying this product please include:

- Product Name and Code
- Product Features
- Product Dimensions

specifying guide

VISIT BRITEXUSA.COM TO DOWNLOAD THE MOST CURRENT PRODUCT LITERATURE.