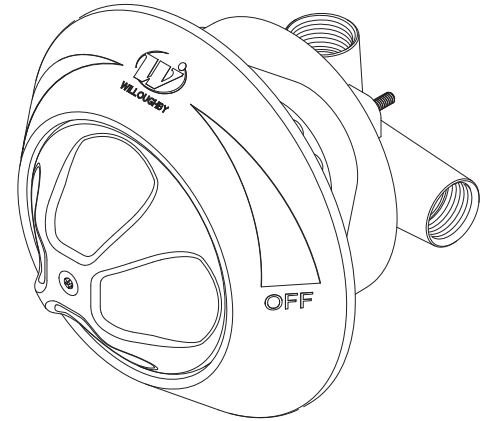


TPLR
Ligature-resistant
Mixing Valve

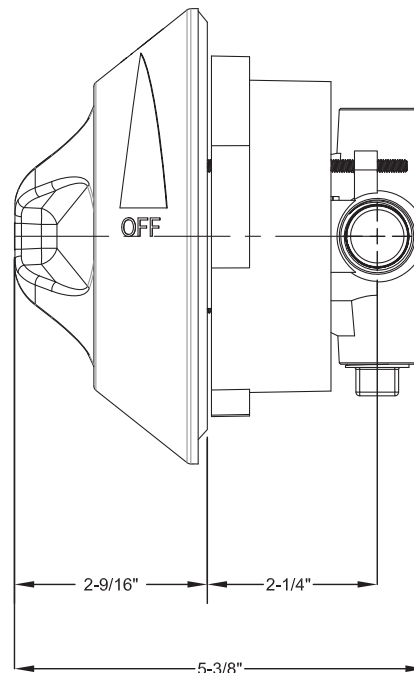
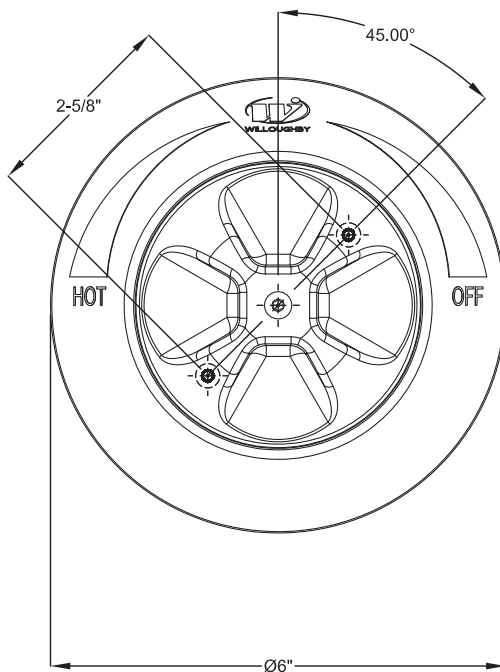
CAPE COD SYSTEMS CORPORATION
TEL. 1-888-227-8555



Recommended Specifications

Willoughby model TPLR Ligature-resistant, Temperature and Pressure Mixing Valve shall be chrome-plated, die-cast construction. The vandal resistant shower mixing valve shall be rear mounted with one safety screw fastener visible. The shower mixing valve shall have a recommended operational water pressure of 35 psi minimum and 70 psi maximum. The inlet connections shall be 1/2" M.P.T. and the outlet connection shall be 1/2" M.P.T. Valve meets the performance criteria for temperature and pressure changes, defined by ASSE 1016 (Type T/P). Valve meets American with Disabilities Act (ADA).

CAPE COD SYSTEMS CORPORATION
TEL. 1-888-227-8555
www.capecodsystems.com



LIGATURE-RESISTANT DISCLAIMER

This product is designed to minimize ligature points. While every effort has been made to reduce the possibility of ligature points, this product does not eliminate all risks. Ligature-Resistant products by Willoughby Industries are to be used in conjunction with, not as a replacement for, trained professionals.



WARNING: Cancer and Reproductive Harm

- www.P65Warnings.ca.gov

