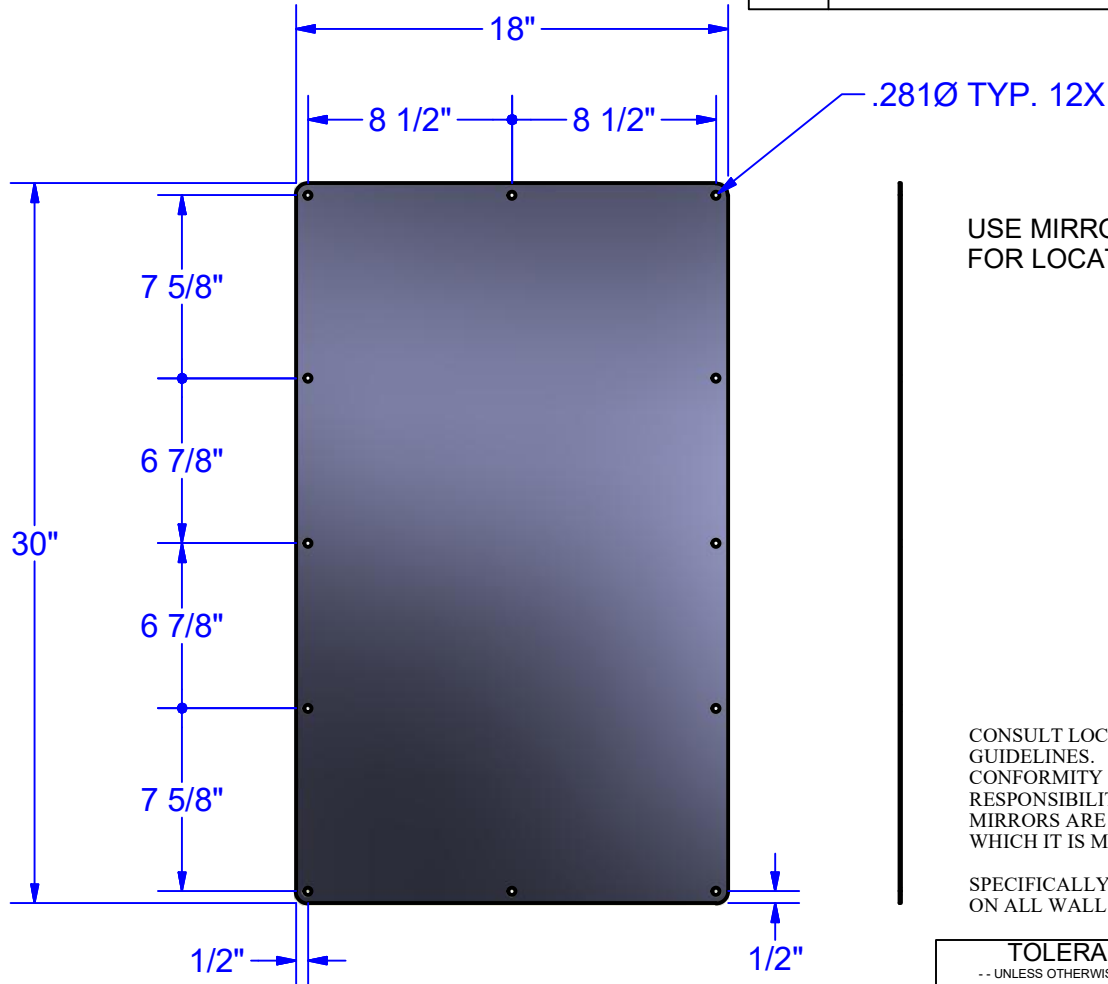


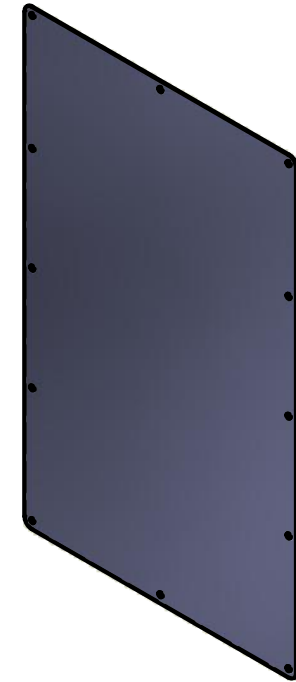
DWG T-8010-05-BS

REVISION HISTORY

REV	DESCRIPTION	DATE	APPROVED
1			
2	HOLE CL WERE 7.250 4X	8/14/2017	DAM



USE MIRROR AS TEMPLATE FOR LOCATING WALL ANCHORS.



CONSULT LOCAL AND NATIONAL ACCESSIBILITY CODES FOR PROPER INSTALLATION GUIDELINES.
 CONFORMITY AND COMPLIANCE TO LOCAL AND NATIONAL CODES IS THE RESPONSIBILITY OF THE INSTALLER.
 MIRRORS ARE ONLY AS STRONG AS THE ANCHORING DEVICES AND THE WALL ON WHICH IT IS MOUNTED TO.

SPECIFICALLY ENGINEERED TAMPER RESISTANT SECURITY SEALANT MUST BE USED ON ALL WALL JOINTS.

16 GAUGE TYPE 304 STAINLESS STEEL.
 POLISH #8 BRIGHT FINISH. ONE SIDE.
 (SHIPPED WITH PROTECTIVE WHITE VINYL COVERING).
 .281 MOUNTING HOLES 12X,
 FASTENERS AND WALL ANCHORS ARE NOT INCLUDED.

CAPE COD SYSTEMS CORPORATION
TEL. 1-888-227-8555
www.capecodsystems.com

TOLERANCES		FRAMELESS ONE PIECE EXPOSED MOUNT SECURITY MIRROR 18" 30"		
-- UNLESS OTHERWISE SPECIFIED --				
∠ : ± 1°				
FRACTIONAL : ± 1/8"				
X.XX : ± 0.015				
X.XXX : ± 0.010				
X.XXXX : ± 0.0002				
DRAWN	dmartin	8/14/2017	SIZE	DWG NO.
CHECKED			A	T-8010-05-BS
RELEASE	Dave M	11-10-08	SCALE	REV
APPROVED				2
			SHEET 1 OF 1	
THIS DRAWING IS PROPRIETARY AND CONFIDENTIAL The information contained in this drawing is the sole property of Brey-Krause Mfg. Any reproduction, in part or as a whole without the permission of Brey-Krause Mfg. is prohibited.				