

**Cape Cod Systems Corporation**  
**Tel. 1-888-227-8555**

# STREAMLAV LEGACY

SL03-B-SEN

## Three User Lavatory System

Dimensions	Water Use	Certifications	Technical	Barrier Free
90" x 21 1/2" x 25 3/4"	0.5 gpm	 IAPMO Z124-2011 CSA B45.5-11 IAPMO IGC156 ASME A112.18.2-2011 CSA B125.2-11	Drain: 1 1/2" Supplies: 1/2" IPS Inlet Pressure: 20-100 psi	ADA TAS Alberta Building Code Code Construction Québec

### Material & Construction

The countertop, skirt sides and water distribution head are made from anti-microbial solid surface. Solid surface is a composite material of acrylic polyester polymer resins and aluminum trihydrate fillers. The material is resistant to stains and burns and complies with ANSI Z124.3. Solid surface cleans easily with Scotchbrite®, household cleaners or fine grit sandpaper. Solid surface is available in 15 colors.

The Streamlav includes a heavy 18 gauge steel support frame. The frame is pre-assembled. The front skirt is made from 20 gauge type 304 stainless steel.

The Streamlav™ is supplied with 1 1/2" chromed brass grid strainers and drain assembly.

### Anti-microbial

The Streamlav bowl, sides, and water distribution head are manufactured with an anti-microbial agent. The agent is present both on the surface and on the inside of the material and will not dissipate or scratch off. In contact with moisture, anti-microbial ions will be released and effectively kill bacteria.

### Standard Equipment

One-piece bowl in anti-bacterial solid surface material, solid surface side covers, stainless steel mounting frame and skirts, Sensor water distribution head, 3 x 6V batteries, drain assembly, and tail piece.

### LEED Compliance

When supplied with AquaDesign's faucets, The Streamlav contributes to meeting LEED requirements in the following categories:

- WEp1 - Water Efficiency
- WEc3 - Water Use Reduction

Each nozzle has a flow rate of 0.50 gpm. The water cycle for the pushbutton operated units lasts 10 seconds dispersing that 0.083 gallons of water per cycle.

### Accessibility

**Standard Height:** The Streamlav is designed to meet all ADA and TAS guidelines when mounted at the standard rim height of 34".

**Juvenile Height:** The Streamlav complies with ADA and TAS guidelines for the various juvenile categories when mounted at the proper rim height.

### Technical

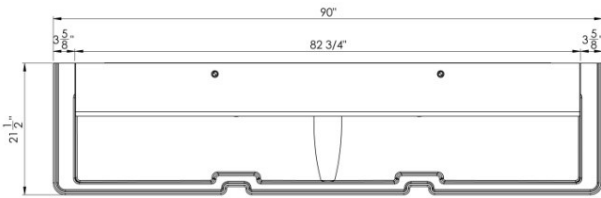
- Drain size: 1 1/2"
- Warranty: 5 years limited warranty on material and 1 year limited warranty on components.

### SAMPLE SPECIFICATION

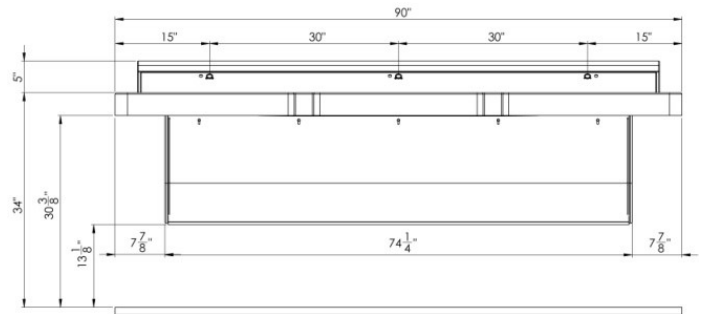
Fixture shall be AquaDesign Streamlav 3-user handwash station. Countertop, side panels and water distribution head are made from anti-microbial solid surface. Front cover plate and frame assembly are constructed of 304 stainless steel.



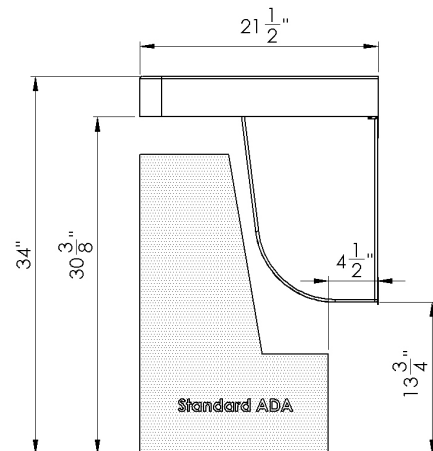
Top View



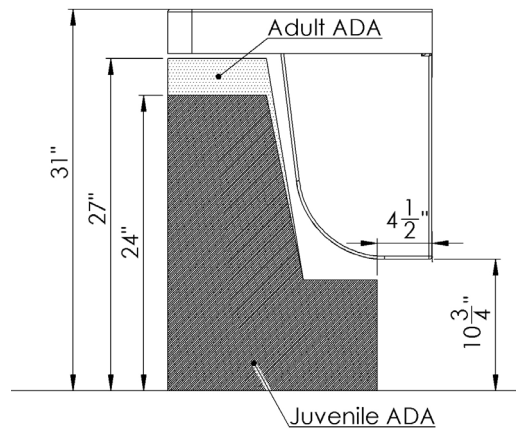
Front View



Side View Standard Height

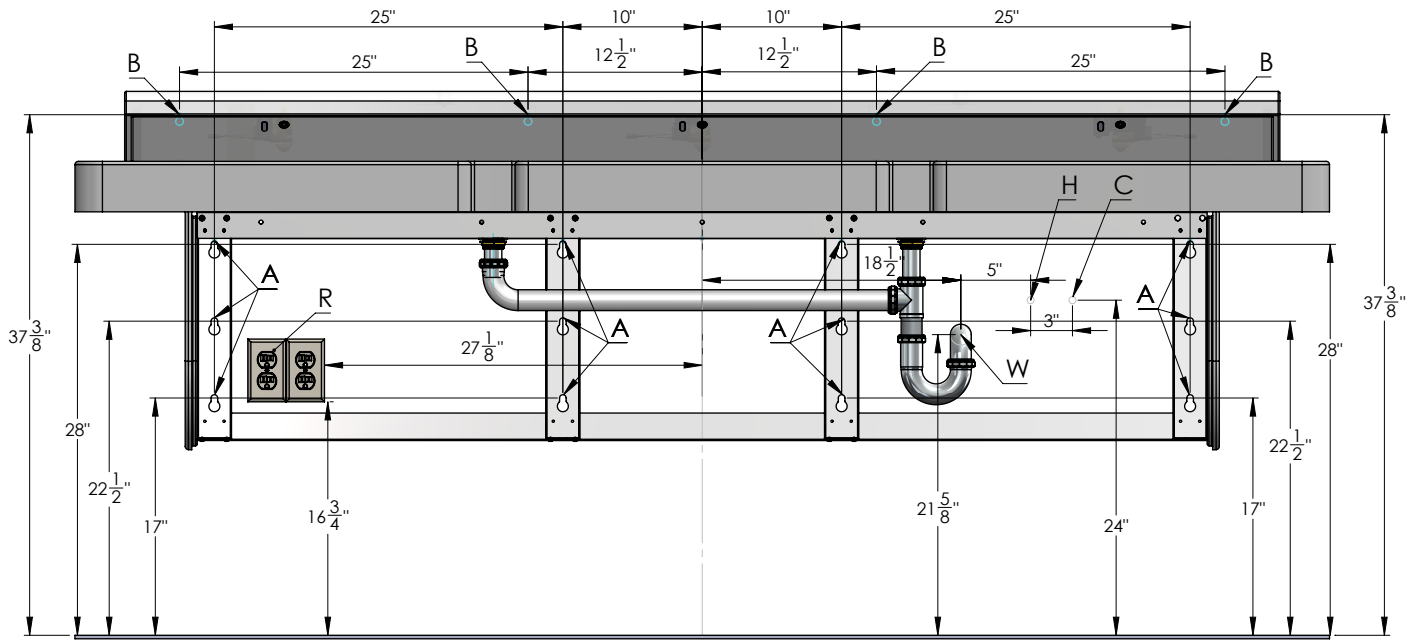


Ada Adult and Juvenile with Single Mounting Height



**Cape Cod Systems Corporation**  
**Tel. 1-888-227-8555**  
**[www.capecodsystems.com](http://www.capecodsystems.com)**

**Rough-In Dimensions**  
**Cape Cod Systems Corporation**  
**Tel. 1-888-227-8555**  
**www.capecodsystems.com**



**Notes:**

1. Electrical receptacle must be wired to a GFCI protected circuit. Fixture must be earth grounded.
2. Consult local electrical code for need and use of extra electrical conduit box.
3. All height measurements are measured from the FINISHED floor.

Code	Description
A	3/8" Anchors
B	1/4" Anchors
W	1-1/2" Drain
S	1/2" Hot Water Supply
S	1/2" Cold Water Supply
R	120V Receptacle

**Cape Cod Systems Corporation**  
**Tel. 1-888-227-8555**  
**www.capecodsystems.com**

**Height Adjustments**

Standard	Rim Height	Adjustment of A, B & W
ADA & TAS Adult	34"	None
ADA Juvenile, Age 6-12	31"	Subtract 3" from height in drawing
TAS, Grades 6 through 8 or 9	32"	Subtract 2" from height in drawing
TAS, Grades Pre-K through Grades 5 or 6	30"	Subtract 4" from height in drawing
Alberta Building Code	865 mm	None
Code de Construction Québec	865 mm	Aucune

**Cape Cod Systems Corporation**  
**Tel. 1-888-227-8555**  
**www.capecodsystems.com**

<b>001</b>	<b>Base Model Number (must specify)</b>	
<input type="checkbox"/>	SL03-B	Three user Streamlav Legacy - Stainless Skirt
<b>002</b>	<b>Operation (must specify)</b>	
<input type="checkbox"/>	-SEN	Sensor Water Distribution Head
<b>003</b>	<b>Supply (must specify)</b>	
<input type="checkbox"/>	-TEM	Tempered or Cold Water
<input type="checkbox"/>	-TMV	Thermostatic Mixing Valve
<input type="checkbox"/>	-STE	240V Instantaneous Water Heater
<b>004</b>	<b>Color (must specify)</b>	
	<u>Standard Colors</u>	
<input type="checkbox"/>	-AB	Adobe Brown
<input type="checkbox"/>	-AW	Ash White
<input type="checkbox"/>	-BF	Black Forrest
<input type="checkbox"/>	-CO	Concrete Grey
<input type="checkbox"/>	-ES	Egyptian Sand
<input type="checkbox"/>	-MB	Midnight Blue
<input type="checkbox"/>	-MG	Misty Grey
<input type="checkbox"/>	-PB	Pearl Black
<input type="checkbox"/>	-PW	Polar White
<input type="checkbox"/>	-SA	Sandstone
<input type="checkbox"/>	-TG	Twilight Grey
	<u>Designer Colors</u>	
<input type="checkbox"/>	-BB	Belgian Blue
<input type="checkbox"/>	-MQ	Montreal Quartz
<input type="checkbox"/>	-PS	Paris Stone
<input type="checkbox"/>	-SR	Sydney Rock Oyster
<b>005</b>	<b>Faucet Options</b>	
<input type="checkbox"/>	-HW	Low Voltage Class II Plug-In Transformer (1 per faucet)

**Approved by:**

Name: \_\_\_\_\_

Title: \_\_\_\_\_

Signature: \_\_\_\_\_

Date: \_\_\_\_\_