

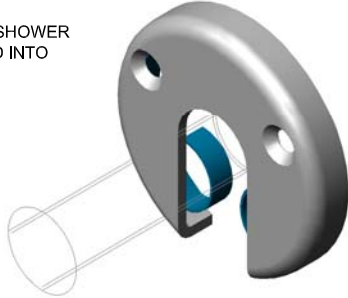


# Technical Data S-4650-SS

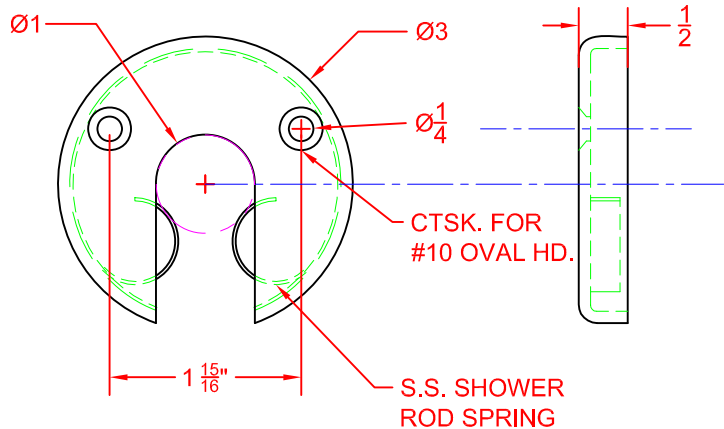
## BREAK-AWAY SHOWER ROD FLANGE

**CAPE COD SYSTEMS CORPORATION**  
**TEL. 1-888-227-8555**

SHOWN WITH SHOWER  
ROD INSERTED INTO  
FLANGE.



ONE PAIR SHOWN



### Construction:

FLANGE: 11 GAUGE X 3" DIAMETER TYPE 304 STAINLESS STEEL WITH (2)  $\frac{1}{4}$ " MTG. HOLES CTSK. FOR #10 OVAL HEAD.  
SPRING: .032 THICK X 301 STAINLESS STEEL SPRING TEMPER, FORMED TO FIT INSIDE FLANGE. SECURED IN FLANGE ONCE INSTALLED.

### Operation:

HOLDS A 1" DIAMETER SHOWER ROD BY INSERTING THE SHOWER ROD INTO THE FLANGE OPENING AND SPRING. SHOWER ROD RELEASES UNDER EXCESSIVE LOAD.

CAUTION: SHOWER ROD WHEN RELEASED UNDER EXCESSIVE LOAD IS NO LONGER SECURED TO FLANGES.

### Installation:

WITH THE SPRING INSERTED INTO THE FLANGE BACK, MOUNT AT DESIRED LOCATION USING THE (2)  $\frac{1}{4}$ " MOUNTING HOLES PROVIDED (SCREWS NOT PROVIDED).  
INSERT SHOWER ROD INTO FLANGE OPENING AND SPRING, MAKING SURE SHOWER ROD EXTENDS PAST THE SPRING RETENTION LOOPS.  
THIS REQUIRES THE SHOWER ROD TO BE THE SAME DIMENSION AS THE DIMENSION BETWEEN THE TWO MOUNTING WALLS

CAUTION: FLANGE IS ONLY AS STRONG AS THE ANCHORING DEVICES AND THE WALL ON WHICH IT IS MOUNTED TO.

### Guide Specification:

BREAK-AWAY SHOWER FLANGE IS FABRICATED AS EXPOSED MOUNTING, TYPE 304 STAINLESS STEEL.  
STAINLESS STEEL SPRING RELEASES SHOWER ROD WHEN UNDER EXCESSIVE LOAD  
SHOWER ROD AND MOUNTING SCREWS NOT INCLUDED WITH THIS PART NUMBER