

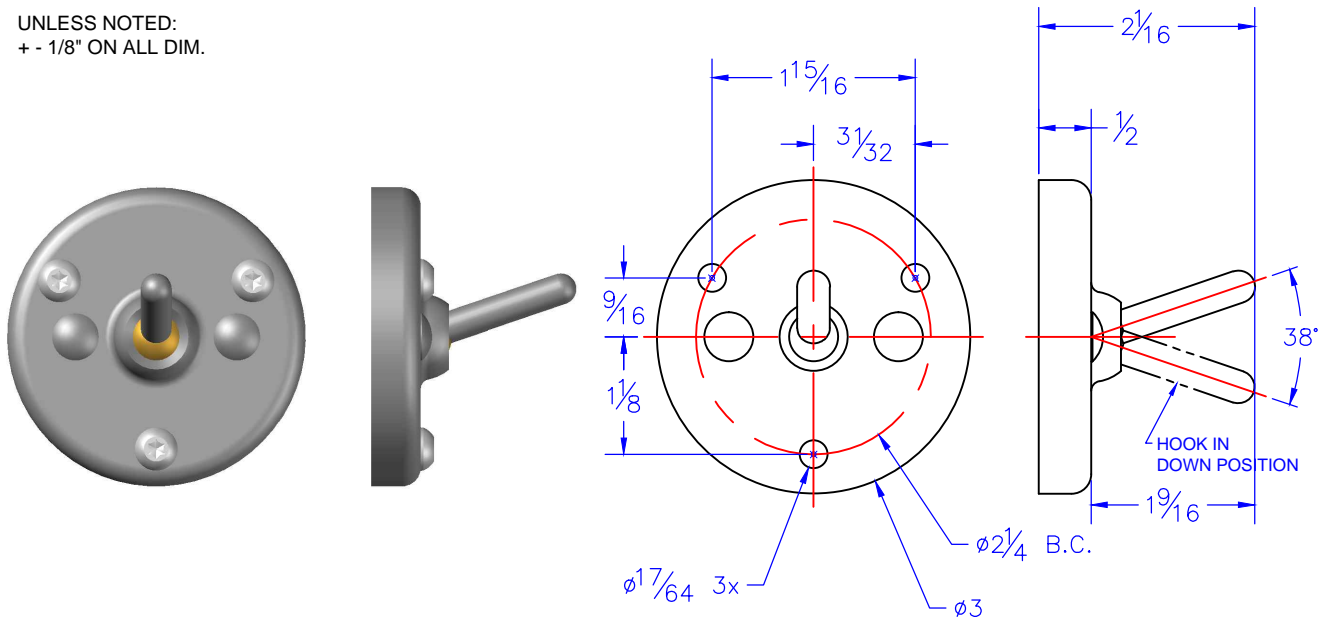


Technical Data

S-4040-SS

SECURITY TOWEL HOOK, EXPOSED MOUNT

UNLESS NOTED:
+ - 1/8" ON ALL DIM.



Construction:

FLANGE: 11 GAUGE X 3" DIAMETER TYPE 304 STAINLESS STEEL.
HOOK: $\frac{5}{16}$ " DIAMETER STAINLESS STEEL ROD WITH PIVOTING BALL JOINT THAT RELEASES UNDER EXCESSIVE LOAD.

Operation:

HOOK WITH PIVOTING BALL JOINT RELEASES WHEN EXCESSIVE LOAD IS APPLIED. THE HOOK CAN BE RESET BY HAND WHEN REQUIRED.

Installation:

USE THE FLANGE TO MARK HOLES AT DESIRED HEIGHT. INSTALL THE (3) SUPPLIED $\frac{1}{4}$ "-20 x $1\frac{1}{2}$ " TORX SCREWS TO FASTEN THE EXPOSED MOUNT TO THE WALL. WALL ANCHORS ARE NOT PROVIDED.
CAUTION: THE INSTALLATION IS ONLY AS STRONG AS THE ANCHORING DEVICES AND THE WALL ON WHICH IT IS MOUNTED.

Guide Specification:

EXPOSED MOUNT, SECURITY TOWEL HOOK.
HOOK RELEASES WHEN EXCESSIVE LOAD IS APPLIED.
HOOK IS RESET BY HAND WHEN REQUIRED.
ONE PIECE CONSTRUCTION, #4 SATIN FINISH.

**CAPE COD SYSTEMS
CORPORATION
TEL. 1-888-227-8555**