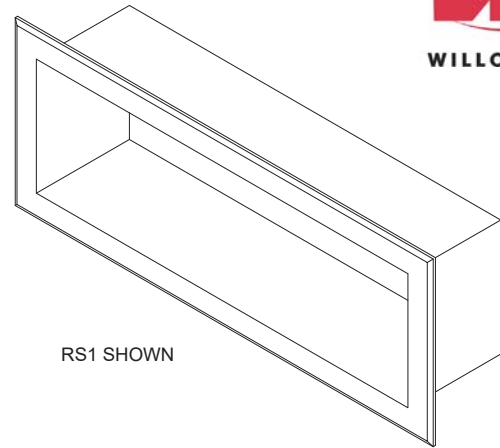


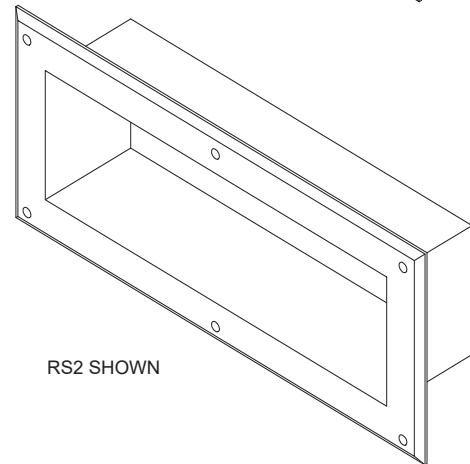
## RS Series Recessed Shelf

**CAPE COD SYSTEMS  
CORPORATION  
TEL. 1-888-227-8555**

✓	MODEL NUMBER	MOUNTING CONFIGURATION
	RS1	REAR MOUNTED
	RS2	FRONT MOUNTED



RS1 SHOWN



RS2 SHOWN

RS \_\_\_ recessed shelf shall be fabricated entirely of 16 GA, Type 304 stainless steel. Exposed flange surfaces are polished to a #3 satin finish. Shelf is available in both rear mounting (RM) or flange mounting (FM) configuration.

Shelf assembly (RS1) supplied with anchoring hardware.

Shelf assembly (RS2) supplied with vandal-resistant security screws, wall anchors by others.

