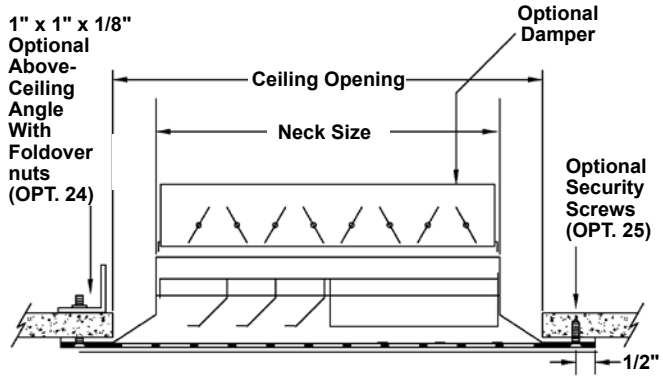
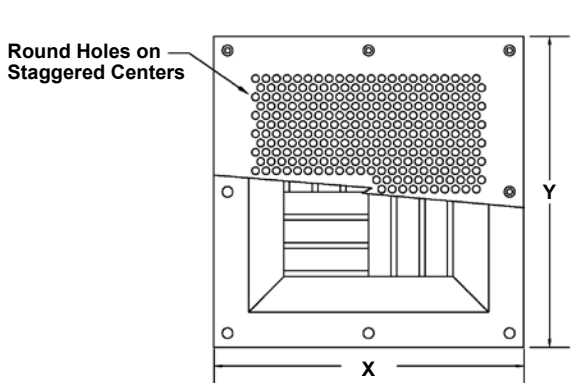


MODEL SDMP3 MODULAR CORE SECURITY CEILING DIFFUSER

Complies with NIC recommendations and California BoP Title 24



CAPE COD SYSTEMS CORPORATION

STANDARD CONSTRUCTION

Face: 14 ga. steel.
Hole Pattern: 3/16" dia. holes on 1/4" staggered centers.
Diffuser: Commercial modular core ceiling diffuser.
 *Neck sizes are available in 2" increments only.
Finish: Two part polyurethane. White.

REQUIRED CONSTRUCTION:

- Face Material:** 14 ga. steel (Std.)
 Other (consult factory) _____
- Hole Pattern:** 3/16" dia. holes on 1/4" staggered centers (reduced risk)
 Other (consult factory) _____
- Finish:** White (Std.)
 Other _____

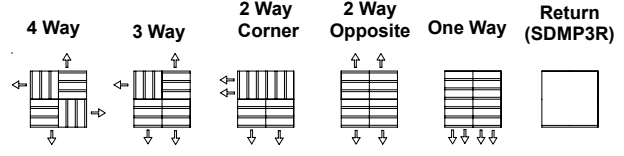
MOUNTING OPTIONS:

- 25A.** (Std) Countersunk screw holes in face 10" o.c. with #10 x 2" long Torx security flat head sheet metal screws. Clearance hole in diffuser for securing to structure above diffuser. Other screw style/size/length _____
- 25B.** Countersunk screw holes in face 10" o.c. with #10 x 1" long Torx security flat head sheet metal screws. Starter hole in diffuser for securing face plate directly to diffuser. Other screw style/size/length _____
- 24.** Countersunk screw holes in face 10" o.c. with #10-24 x 2" long Torx security flat head machine screws for 1-1/2" maximum ceiling thickness. 1" x 1" x 1/8" steel angle frame with matching holes and foldover nuts. Other screw style/size/length _____

ACCESSORIES:

- 16F.** Face operated opposed blade damper, loose for field installation.
- SXR.** Square to round transition, loose for field installation. Advise round size _____
- Other Options:** _____

THROW PATTERNS



Qty.	Neck Size *	X x Y	Ceiling Opening	Throw Pattern	Accessories	Damper	Mounting Option	Tag

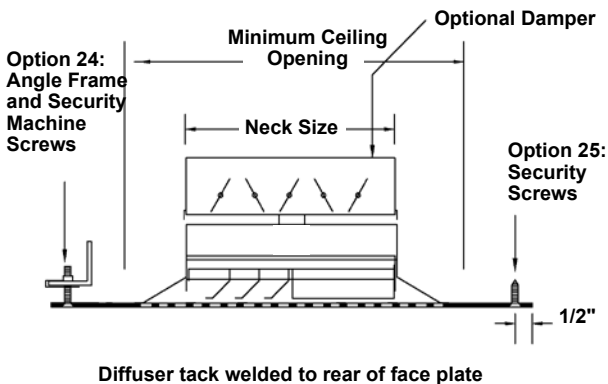
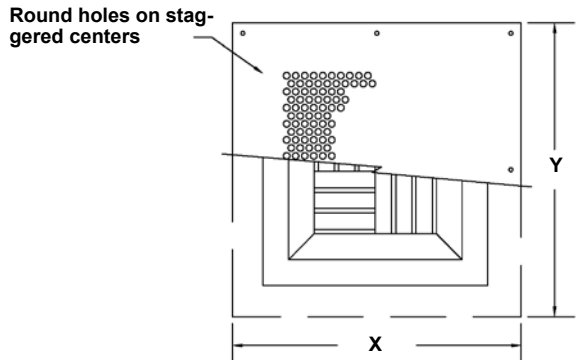
To maintain KEESS' policy of continuous product improvement, we reserve the right to change prices, specifications, ratings or dimensions without notice or obligation.

Project	Location
----------------	-----------------

MODEL SDMP3E

MODULAR CORE SECURITY CEILING DIFFUSER WITH EXTENDED FACE PLATE

Complies with NIC recommendations and California BoP Title 24



Diffuser tack welded to rear of face plate

STANDARD CONSTRUCTION

Face: 14 ga. steel.
Hole Pattern: 3/16" dia. holes on 1/4" staggered centers.
Diffuser: Commercial modular core surface mount ceiling diffuser.
 *Neck sizes are available in 2" increments only.
Finish: Two part polyurethane. White.

REQUIRED CONSTRUCTION:

- Face Material:** 14 ga. steel (Std.)
 Other (consult factory) _____
- Hole Pattern:** 3/16" dia. holes on 1/4" staggered centers (reduced risk)
 Other (consult factory) _____
- Finish:** White (Std.)
 Other _____

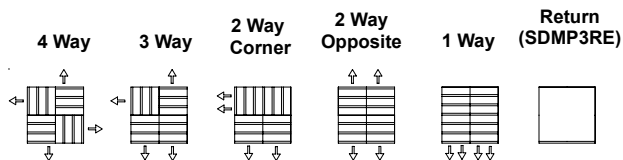
MOUNTING OPTIONS:

- 25A.** (Std) Countersunk screw holes in perimeter of face 10" o.c. with #10 x 2" long Torx security flat head sheet metal screws. Clearance hole in diffuser for securing to structure above diffuser. Other screw style/size/length _____
- 24.** Countersunk screw holes in face 10" o.c. with #10-24 x 2" long Torx security machine screws for 1-1/2" maximum ceiling thickness. 1" x 1" x 1/8" steel angle frame with matching holes and foldover nuts, Other angle size _____
 Other screw style/size/length _____

ACCESSORIES:

- 16F.** Face operated opposed blade damper, loose for field installation.
- SXR.** Square to round transition, loose for field installation. Advise round size _____
- Other Options:** _____

THROW PATTERNS



Qty.	Neck Size *	X x Y	Minimum Ceiling Opening	Throw Pattern	Accessories	Damper	Mounting Option	Tag

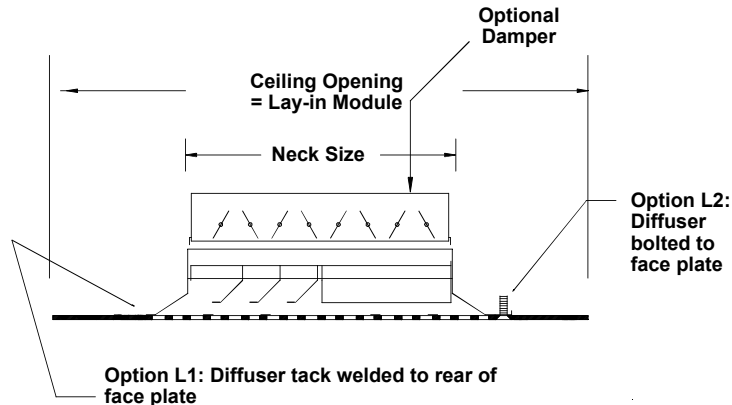
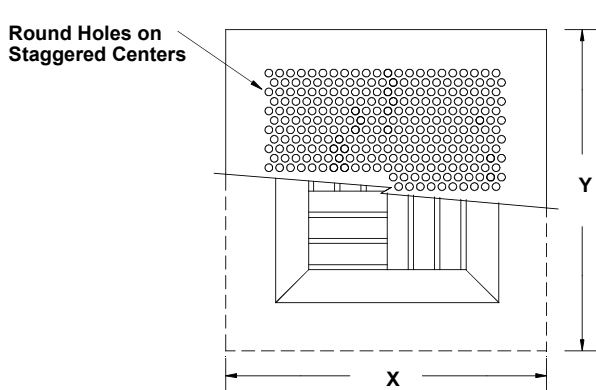
To maintain KEES' policy of continuous product improvement, we reserve the right to change prices, specifications, ratings or dimensions without notice or obligation.

Project		Location
----------------	--	-----------------

MODEL SDMP3L

MODULAR CORE SECURITY CEILING DIFFUSER FOR LAY-IN MOUNTING

Complies with NIC recommendations and California BoP Title 24



STANDARD CONSTRUCTION

Face: 14 ga. steel.
Hole Pattern: 3/16" dia. holes on 1/4" staggered centers.
Diffuser: Commercial modular core ceiling diffuser.
 *Neck sizes are available in 2" increments only.
Finish: Two part polyurethane. White.

REQUIRED CONSTRUCTION:

- Face Material:** 14 ga. steel (Std.)
 Other (consult factory) _____
- Hole Pattern:** 3/16" dia. holes on 1/4" staggered centers (reduced risk)
 Other (consult factory) _____
- Finish:** White (Std.)
 Other _____

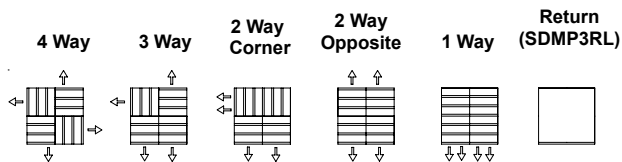
MOUNTING OPTIONS:

- L1.** Diffuser tack welded to rear of face plate. (Std)
- L2.** Diffuser attaches to face plate using countersunk screw holes in face 10" o.c. and #10-24 x 1" long Torx security flat head machine screws threaded into nuts on rear of face plate.
 Other screw style/size/ _____

ACCESSORIES:

- 16F.** Face operated opposed blade damper, Shipped loose for field installation.
- SXR.** Square to round transition, loose for field installation.
 Advise round size _____
- Other Options:** _____

THROW PATTERNS



Qty.	Neck Size *	X x Y	Ceiling Opening	Throw Pattern	Accessories	Damper	Mounting Option	Tag

To maintain KEES' policy of continuous product improvement, we reserve the right to change prices, specifications, ratings or dimensions without notice or obligation.

Project		Location	
----------------	--	-----------------	--