

M-DFBF Series

HEAVY DUTY, BARRIER FREE, WALL MOUNTED DRINKING FOUNTAIN WITH CONCEALED SENSOR AND BOTTLE FILLER WITH SENSOR OPERATION

STANDARD FEATURES

Drinking Fountain

- Ligature Resistant with Optional LR Bubbler
- Hands-Free Sensor with Wave-on / Wave-off Operation
- Child or Adult ADA Compliant (When Properly Installed)
- Sensor with maximum run time of 10 seconds or less
- Lead-Free
- 100-Mesh Inlet Strainer

Bottle Filler

- Hands-Free Sensor Operation
- ADA Compliant (Reach Requirement)
- 120VAC/9.0VDC Plug-In Transformer and Battery Pack
- Laminar Flow Water Supply to Reduce Splashing
- 1 GPM Fill Rate
- Sensor Has a 20 Seconds Maximum Run Time

SUGGESTED SPECIFICATIONS

Provide Murdock Manufacturing Model M-DFBF Stainless Steel Drinking Fountain with Bottle Filler. Unit shall have ligature resistant design when provided with optional -LR Drinking Bubbler. Unit shall be activated by a 9 Volt Infrared Sensor concealed beneath basin skirt for wave-on and wave-off operation. Bubbler shall deliver a 0.3 GPM flow with maximum run time of 10 seconds. Fountain to include an integral basin with ligature resistant Grid Strainer, waste piping and P-trap waste fitting.

Bottle Filler shall be provided with Sensor Operated Control with 20 second maximum run time. Sensor Solenoid Valve Assembly to include 120VAC Plug-In Transformer and 9VAC Battery Pack. Provide Trap Enclosure to conceal P-Trap and Solenoid Valve Assembly. Drinking Fountain, Bottle Filler and Trap Enclosure to be constructed of heavy gauge type 304 stainless steel with exposed surfaces polished to a #4 satin finish. Unit to conform with ANSI, UFAS and ADA Accessibility Standards, when installed properly. Unit shall conform with ANSI A117.1, Public Law 111-380 (NO-LEAD), CHSC 116875 and NSF/ANSI 61, Section 9.

Options Notes:

¹ Refer to supplemental submittal sheet for additional information.

Complies with the following standards:



NSF/ANSI 61



Model M-DFBF-F Shown

MODEL:

(Must Specify)

- M-DFBF-F Gray Flexible Code Bubbler (Shown)
- M-DFBF-LR Ligature Resistant Stn Stl Bubbler (See note)
- M-DFBF-S Satin Stainless Code Bubbler

OPTIONS:

(additional costs may apply)

- EG Enviro-Glaze, Specify Color: _____
(Drinking Fountain, Bottle Filler, Trap Cover)
- WF1 1500-Gallon Capacity Water Filter ¹
- WF3 3000-Gallon Capacity Water Filter ¹
- A9100080-A Remote Chiller, 8 G.P.H. ¹

IMPORTANT:

Only model M-DFBF-LR with Stainless Steel Drinking Bubbler provides maximum ligature resistance.

DISCLAIMER:

This product is designed to decrease the probability that it may be utilized as an apparatus for ligature. It is not a replacement for professionals who are trained in the proper evaluation, management and supervision of persons at risk of suicide.



Member of
U.S. Green
Building
Council



Recyclable
Product



Water
Conserving
Product

WARNING: Cancer and Reproductive Harm - www.P65Warnings.ca.gov

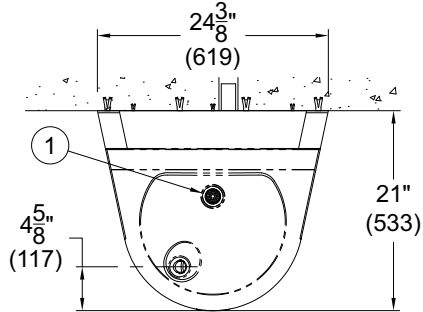
CAPE COD SYSTEMS CORPORATION

TEL. 1-888-227-8555

www.capecodsystems.com

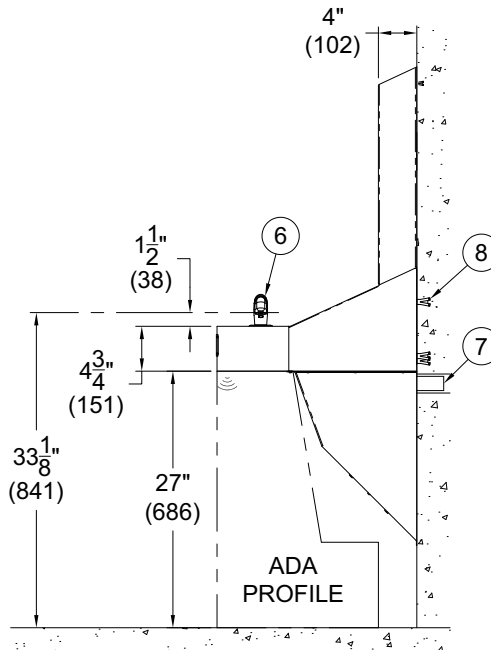
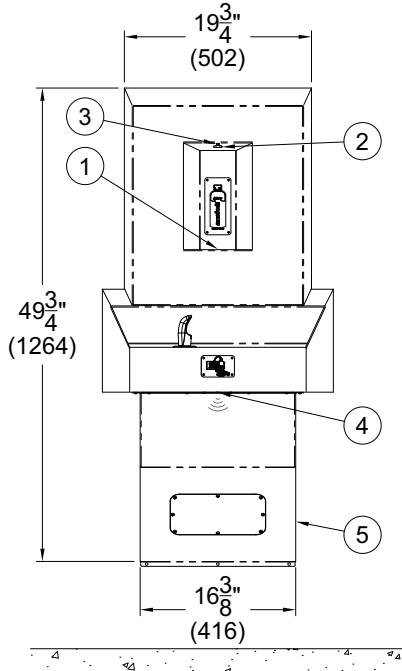
M-DFBF Series

HEAVY DUTY, BARRIER FREE, CONCEALED
SENSOR OPERATED WALL MOUNTED
DRINKING FOUNTAIN WITH BOTTLE FILLER



NOTES:

1. LIGATURE RESISTANT GRID STRAINER
2. BOTTLE FILLER SPOUT
3. BOTTLE FILLER SENSOR
4. CONCEALED DRINKING FOUNTAIN SENSOR
5. LIGATURE RESISTANT TRAP COVER WITH ACCESS PANEL
6. DRINKING BUBBLER
7. 1-1/2" O.D. WASTE OUTLET
8. WALL ANCHORING HARDWARE (BY OTHERS)



IMPORTANT: Refer to installation instructions for complete rough-in and technical data.
NOTE: Some options may change standard roughs.

Murdock Mfg.™ warrants that its products are free from defects in material or workmanship under normal use and service for a period of one year from date of shipment. Murdock's liability under this warranty shall be discharged solely by replacement or repair of defective material, provided Murdock™ is notified in writing within one year from date of shipment, F.O.B. Industry, California.

SELECTION SUMMARY & APPROVAL FOR MANUFACTURING	Model Number & Options _____	Quantity _____	All dimensions are subject to manufactures tolerance of plus or minus 1/2" nominal and subject to change without notice. Murdock assumes no responsibility for use of void or superseded data. Dimensions may change with the addition of optional accessories. Murdock Mfg.™, Member of Morris Group International™. Please visit www.murdockmfg.com for most current specifications.
	Company _____		
	Contact _____	Title _____	
	Signature (Approval for Manufacturing) _____	Date _____	