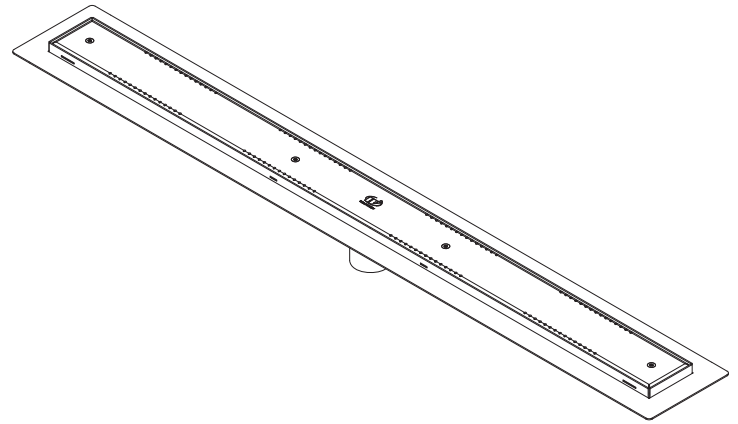


**LRTD Series
Ligature-Resistant
Recessed Trench
Floor Drain**

Cape Cod Systems Corporation
Tel. 1-888-227-8555



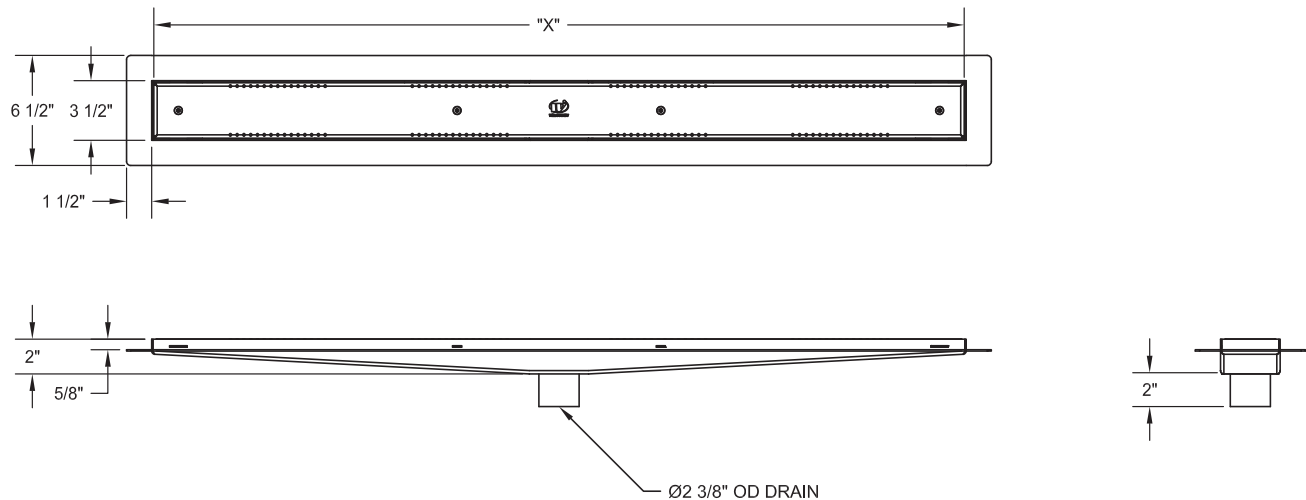
Recommended Specifications

Ligature-Resistant Recessed Trench Floor Drain shall be Willoughby Model No. **LRTD-__** (select from model number from list below). Floor drain assembly shall be 14 gauge stainless steel, with a 14 gauge ligature-resistant drain cover polished to a satin finish.

✓	MODEL NUMBER	TRENCH DRAIN COVER LENGTH ("X")
	LRTD-12	12"
	LRTD-24	24"
	LRTD-36	36"
	LRTD-48	48"
	LRTD-60	60"

LIGATURE-RESISTANT DISCLAIMER

This product is designed to minimize ligature points. While every effort has been made to reduce the possibility of ligature points, this product does not eliminate all risks. Ligature-Resistant products by Willoughby Industries are to be used in conjunction with, not as a replacement for, trained professionals.



WARNING: Cancer and Reproductive Harm

- www.P65Warnings.ca.gov

