



**CAPE COD SYSTEMS
CORPORATION**
TEL: 1-888-227-8555

Anti-Ligature Sink

LRS01

Stainless Steel Behavioral Sink

Dimensions	Material	Technical	Barrier Free
Height: 21" Width: 19" Depth: 18-1/8"	14 gauge / 11 gauge 304 Stainless Steel	Bowl Depth: 6-1/4" Faucet: punched for 4" centerset	ADA TAS Alberta Building Code Ontario Barrier Free

Material and Construction

The LRS01 is made from AISI304, 14 gauge stainless steel. The mounting brackets are 11 gauge stainless steel.

The LRS01 is available in a brushed stainless or white powder coated finish

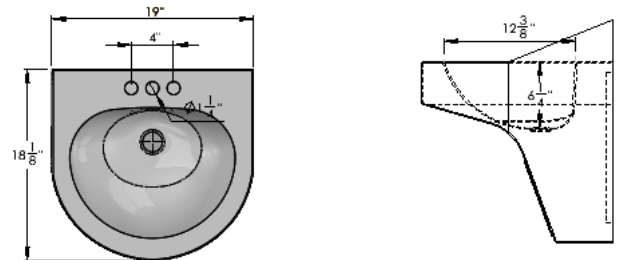
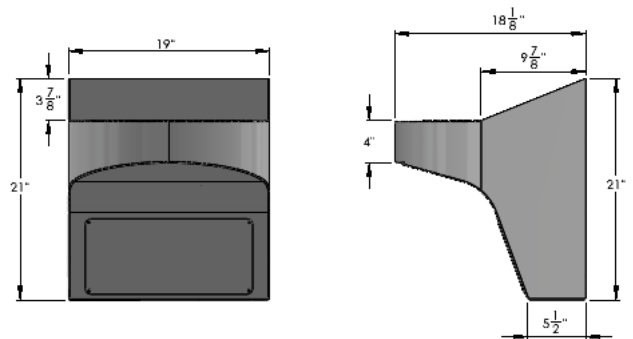
The bowl of the sink is 6-1/4" (160mm) deep and is supplied with a strainer and tailpiece.

The front of the sink has an access panel that allows for easy servicing and installation. The access panel is attached to the sink with 6 vandal resistant torx screws.

The LRS01 comes standard with faucet holes for 4" center set faucets.

Activation & water distribution

The LRS01 can be supplied with AquaDesign's ADM21 anti-ligature sensor faucet.



001 Base Model Number (must specify)	<input type="checkbox"/> LRS01	Anti-Ligature Lavatory
002 Faucets	<input type="checkbox"/> -DEK	No Faucet
	<input type="checkbox"/> -ADM21	Anti-Ligature Sensor Faucet
003 Finish	<input type="checkbox"/> -	Brushed Stainless Steel
	<input type="checkbox"/> -PW	Polar White Powder Coat
004 Other Options	<input type="checkbox"/> -TEM	Tempered Water
	<input type="checkbox"/> -TMV	Thermostatic Mixing Valve



WARNING: Cancer and Reproductive Harm
www.P65Warnings.ca.gov