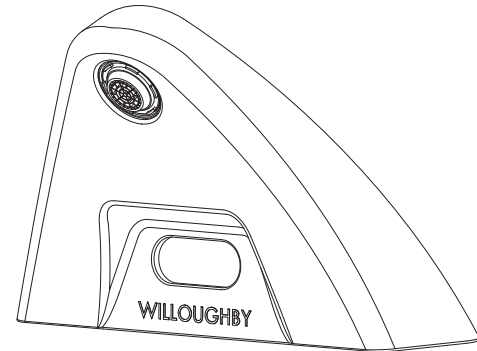




LRFC Ligature-resistant Infrared Faucet (4" Center Set)



Recommended Specifications

Willoughby model LRFC Ligature-resistant, Infrared Faucet shall be constructed of cast 304 stainless steel with a polished exterior finish. The ligature-resistant faucet shall be surface mounted with no visible fasteners. The faucet shall have a 35° angle of spray with 16° max swivel adjustment, with 1.5 GPM maximum flow rate. The LRFC features a concealed vandal resistant removable insert. The insert can be serviced and installed with a specifically designed key tool. The insert provides a non-aerated laminar flow with smart lime cleaning technology. The LRFC has a contoured design to minimize any potential ligature points. LRFC-IR is supplied with valve, plug-in transformer, and connection cable. LRFC-BO is supplied with valve, battery pack, (6) AA batteries, and connection cable.

Faucet conforms to ADA requirements for accessibility, when mounted properly on fixture. Consult local codes for ADA requirements as codes and interpretations may vary.

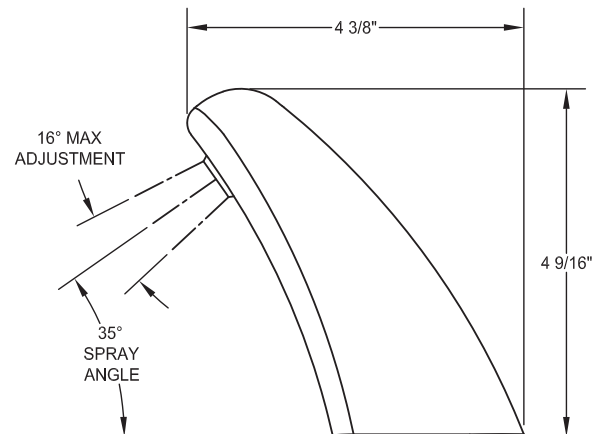
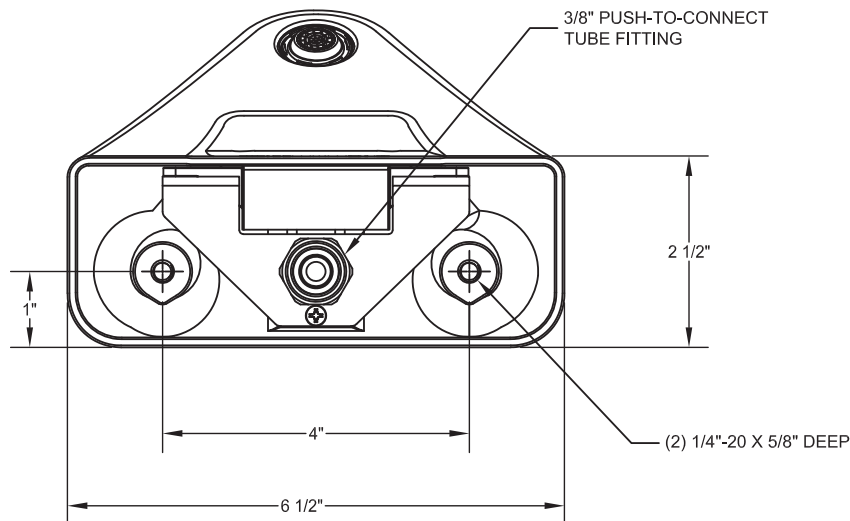
STANDARD:

- IR Infrared Sensor, Plug-in* (with supplied valve and transformer)
- BO Infrared Sensor, Battery Operated (with supplied valve, batteries and battery pack)

OPTIONS:

- TMV In-line Thermostatic Mixing Valve
- *(Req. 110V power through ground fault interrupter (GFCI) receptacle)

CAPE COD SYSTEMS CORPORATION
TEL. 1-888-227-8555
www.capecodsystems.com



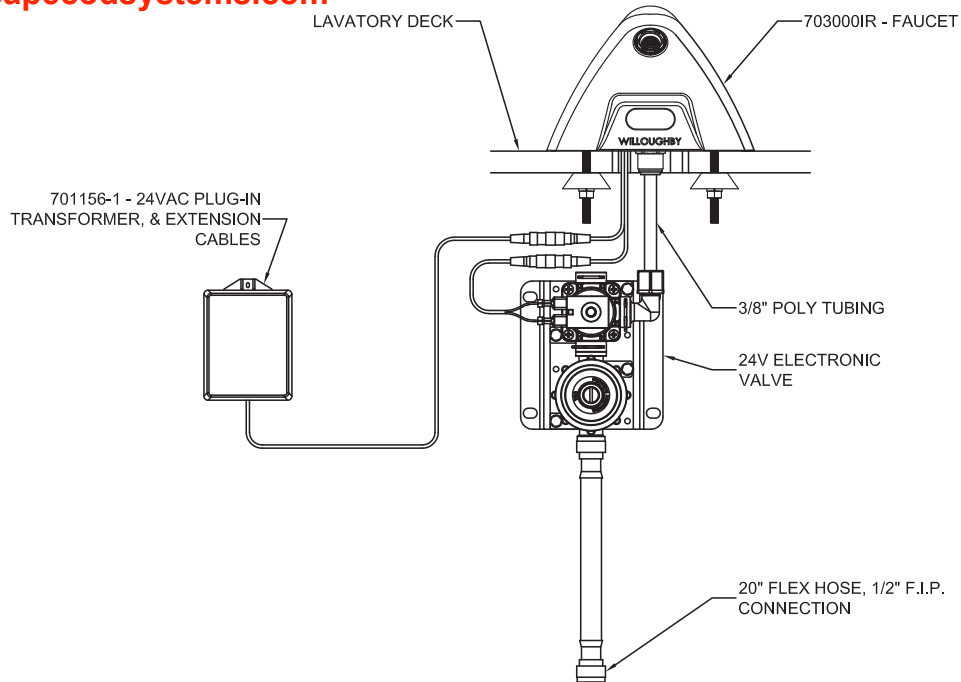
LIGATURE-RESISTANT DISCLAIMER

This product is designed to minimize ligature points. While every effort has been made to reduce the possibility of ligature points, this product does not eliminate all risks. Ligature-Resistant products by Willoughby Industries are to be used in conjunction with, not as a replacement for, trained professionals.

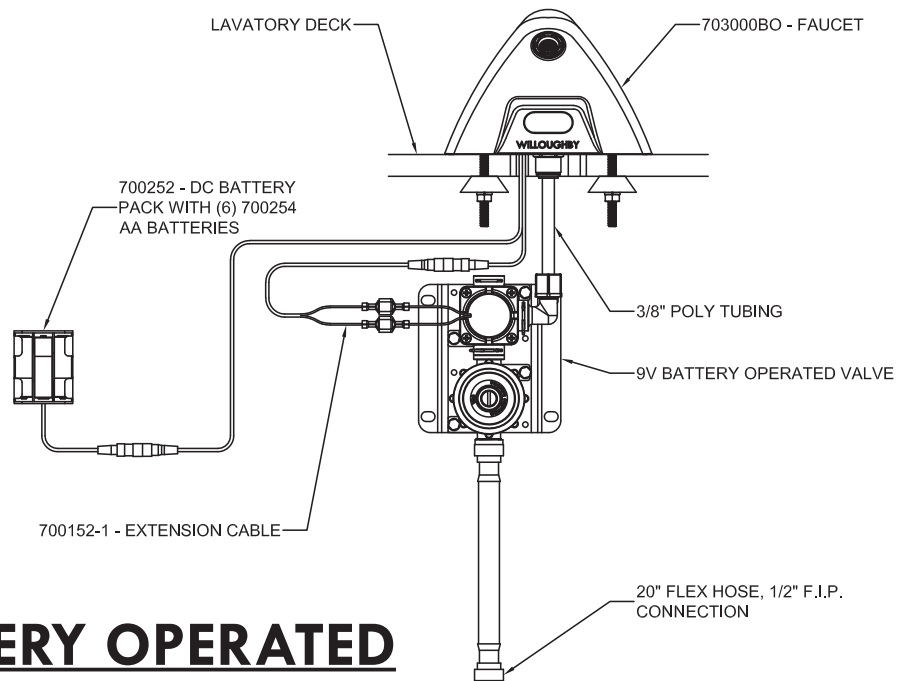


WARNING: Cancer and Reproductive Harm

- www.P65Warnings.ca.gov



HARD-WIRED



BATTERY OPERATED