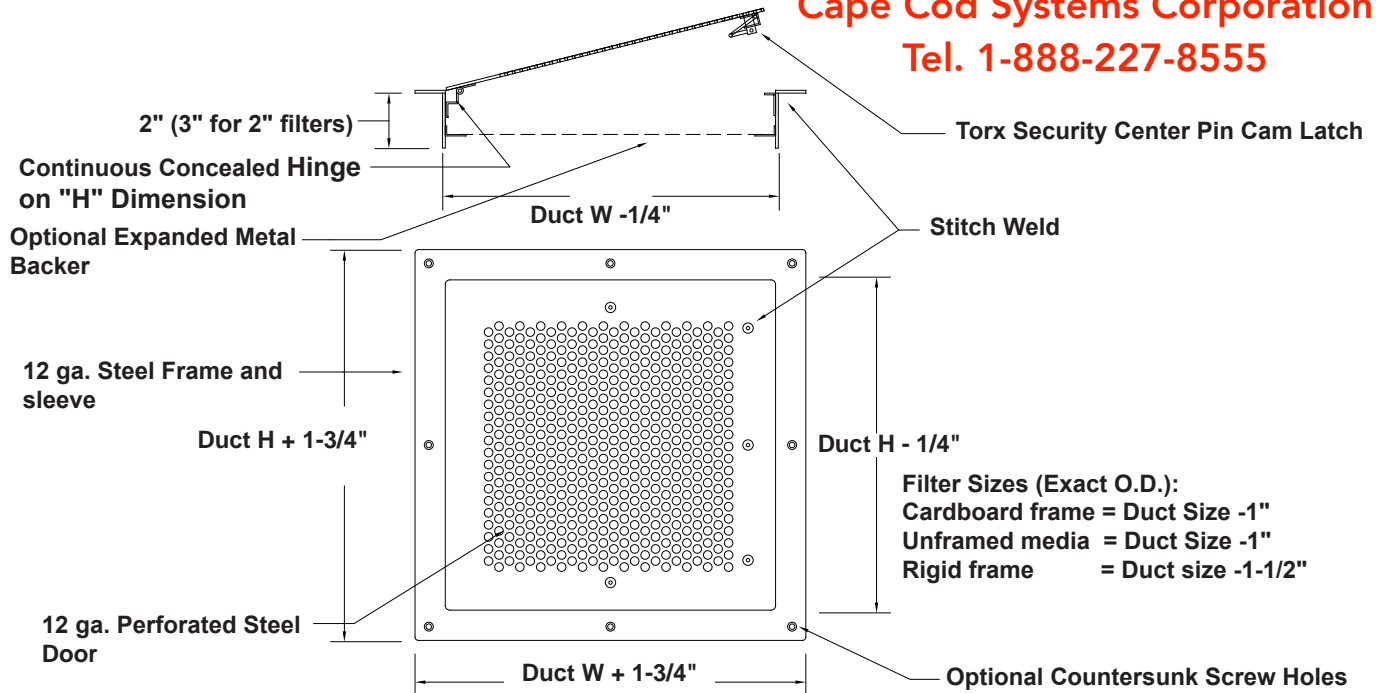


SEG-9HFG8 HINGED SECURITY FILTER GRILLE

Cape Cod Systems Corporation
Tel. 1-888-227-8555



STANDARD CONSTRUCTION:

- Frame:** 12 ga. steel with radiused corners.
- Door:** 12 ga. steel with radiused corners.
- Hinge:** Continuous concealed hinge welded to door and frame. Opens 90 degrees. Hinge is on H dimension.
- Latches:** Torx security center pin cam latches. One latch per door on sizes up to 6" x 6". Larger sizes will have additional latches.
- Sleeve:** 12 ga. steel with filter stop.
- Finish:** Two part polyurethane inside and out. White.

REQUIRED CONSTRUCTION:

- Perforations:**
 - 5/16" dia. holes on 7/16" staggered centers.(Std.)
Maximum one piece size 30" x 30"
 - 3/16" dia. holes on 9/32" staggered centers. Suicide deterrent. Meets NIC recommendations and Calif. Title 24
Maximum one piece size 24" x 24"
- Latches:**
 - Pinned allen head security cam latches. (Std)
 - Key operated cylinder cam latches.
- Finish:**
 - White (Std.)
 - Other _____

MOUNTING OPTIONS:

- Screw holes in side of frame 10" o.c. to allow attachment to framing behind door. (Std)
- Countersunk screw holes in face 10" o.c. with #10 x 1-1/2" long Torx security screws.
- None
- Other _____

Filters:

- Furnished by others (Std)
- Furnished by KEES (one set)
- No filters (filter stop deleted)

Filter depth "F":

- 1" (Std.)
- 2"
- Other _____

Filter Type:

- Fiberglass throwaway
- Aluminum mesh washable
- Other _____

Other Options:

- Expanded screen for use with non framed media.
- Other _____

Qty.	Duct Size/Rough Opening		Sleeve O.D. = Duct Size -1/4"		Filter Size (Exact O.D.)		Filter Depth	Number of Latches	Other Options	Tag
	W	H	W	H	W	H				

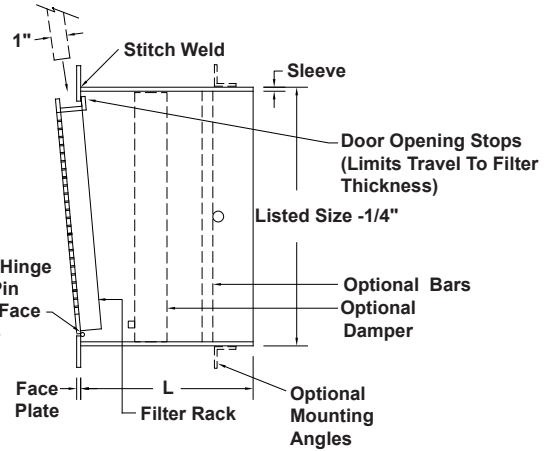
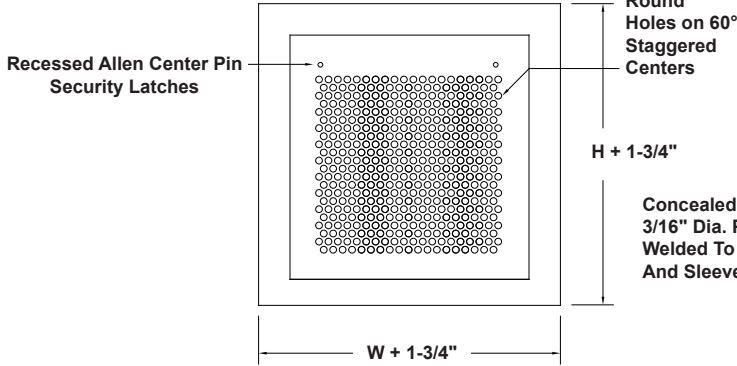
To maintain KEES' policy of continuous product improvement, we reserve the right to change prices, specifications, ratings or dimensions without notice or obligation.

Project				Location		
Architect/ Engineer						
Contractor			Dwg. No.	SEG-9HFG8w 04/05/2017		
Representative			Date			

SEG-9HFG3 SECURITY FILTER GRILLE – SUPPLY OR RETURN

Cape Cod Systems Corporation

Tel. 1-888-227-8555



STANDARD CONSTRUCTION:

Face: 3/16" thick steel stitch welded to sleeve. 1" face flange. Concealed hinges at bottom with 3/16" dia. pins, recessed Allen center pin security latches, track for 1" thick filter, and door stop to limit opening to filter thickness.

Hole Pattern: 5/16" diameter holes on 7/16" staggered centers.

Sleeve: 3/16" steel with continuously welded seams.

Finish: Two part polyurethane inside and out. White.

Maximum Size: 24" x 24"

REQUIRED CONSTRUCTION:

Face Material: 3/16" steel (Std.)
 Other _____(consult factory for availability)

Hole Pattern: 5/16" dia. holes on 7/16" centers (Std.)
 1/4" dia. holes on 3/8" centers
 Other _____consult factory for availability)

Flange "F": 1" (Std.)
 Other _____

Sleeve Material: 3/16" steel (Std.)
 Other _____(consult factory for availability)

Filters (1" thick): By Others
 Fiberglass Disposable Type, by KEES
 Aluminum Cleanable Type, by KEES
 Other _____

Exact filter o.d. = Listed W - 2.25" x Listed H - 2.75"
 When provided by KEES, filters ship loose for field installation. Initial set only.

Finish: White (Std.)
 Other _____

MOUNTING OPTIONS:

- 11A.** Two loose pieces of 1" x 1" x 3/16" mill finish steel angle loose for field welding. Length equal to longest side of grille. Other angle size _____
- 11B.** Rear angle frame of 1" x 1" x 3/16" mill finish steel completely assembled for field welding. Other angle size _____
- 12A.** Rear angle frame for bolting to sleeve. 1" x 1" x 3/16" steel with bolt holes 8" o.c. for 1/4" dia. bolts. No holes in sleeve. No bolts, nuts or washers. Other angle size _____
- 12B.** Same as **12A** with the addition of bolt holes in sleeve. (Advise wall or ceiling thickness). Other angle size _____
- 23.** Masonry anchors: 1/2" x 3" anchors 16" o.c., one per side minimum, welded to sleeve exterior. Other size or spacing _____
- 24.** Countersunk screw holes in face 10" o.c. with #10-24 x 2" long Torx security machine screws for 1-1/2" maximum ceiling thickness. 1" x 1" x 1/8" steel angle frame with matching holes and foldover nuts Requires 1-1/2" flange.
- 25.** Countersunk screw holes in face 10" o.c. with #10 x 1-1/2" long Torx security sheet metal screws. Other screw length _____

ACCESSORIES:

- 16F.** Face operated opposed blade damper tack welded into sleeve. Dampers are adjustable using flat bladed screwdriver with filter removed.
- 16R.** Rear operated opposed blade damper tack welded into sleeve. Dampers are adjustable using flat bladed screwdriver.
- 19.** 1/2" dia. A-36 steel bars 6" o.c., both ways (on sizes over 6" x 6") welded to sleeve and at intersections.
- Other:** _____

Qty.	Listed Size		Sleeve O.D. (Listed Size -1/4")		Masonry Opening (= Listed Size)		Sleeve Length L	Wall / Ceiling Thickness	Accessories	Mounting Option	Tag
	W	H	W	H	W	H					

To maintain KEES' policy of continuous product improvement, we reserve the right to change prices, specifications, ratings or dimensions without notice or obligation.

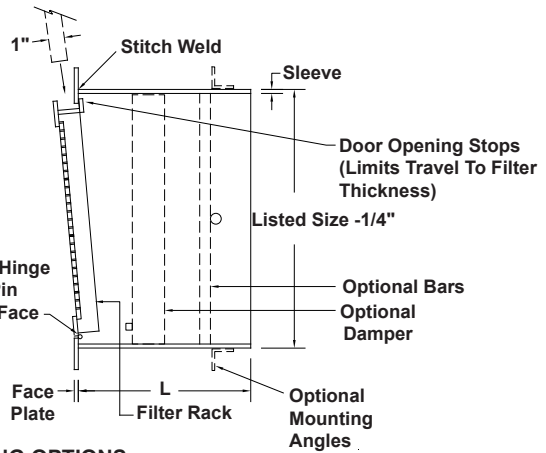
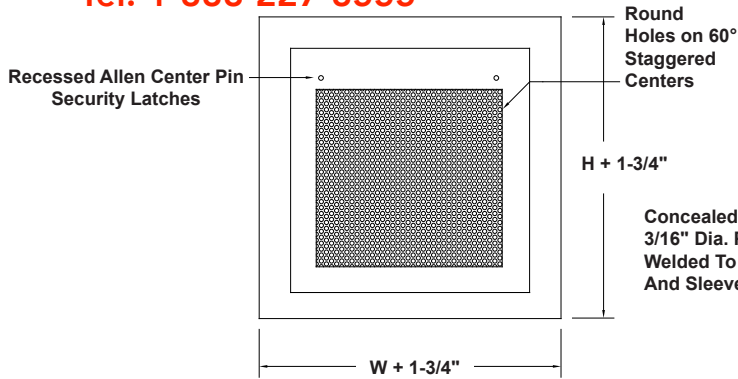
Project				Location			
Architect / Engineer							
Contractor				Dwg. No.	SEG-9HFG3w 04/10/17		
Representative				Date			

SEG-9HFG3SP SECURITY FILTER GRILLE — SUPPLY OR RETURN

Complies with NIC recommendations and California BoP title 24.

Cape Cod Systems Corporation

Tel. 1-888-227-8555



STANDARD CONSTRUCTION:

Flange: 3/16" thick steel stitch welded to sleeve, 1" outer flange.
Door Face: 3/16" steel frame with 3/16" steel sheet perforated with 3/16" diameter holes on 9/32" staggered centers stitch welded to back of frame. Concealed hinges at bottom with 3/16" dia. pins, recessed Allen center pin security latches, track for 1" thick filter, and door stop to limit opening to filter thickness.
Sleeve: 3/16" steel with continuously welded seams.
Finish: Two part polyurethane inside and out. White.
Maximum Size: 24" x 24"

REQUIRED CONSTRUCTION:

- Face Material:** 3/16" steel (Std.)
 Other _____ (consult factory for availability)
- Door Face:** 3/16" steel frame with 3/16" perf. having 3/16" dia. holes on 9/32" staggered centers (Std.)
 3/16" steel frame with 11 ga. perf. having 1/8" dia. holes on 3/16" staggered centers
- Flange "F":** 1" (Std.)
 Other _____
- Sleeve Material:** 3/16" steel (Std.)
 Other _____ (consult factory for availability)
- Filters (1" thick):** By Others
 Fiberglass Disposable Type, by KEES
 Aluminum Cleanable Type, by KEES
 Other _____

Exact filter o.d. = Listed W - 2.25" x Listed H - 2.75"
 When provided by KEES, filters ship loose for field installation.
 Initial set only.

- Finish:** White (Std.)
 Other _____

MOUNTING OPTIONS:

- 11A.** Two loose pieces of 1" x 1" x 3/16" mill finish steel angle loose for field welding. Length equal to longest side of grille. Other angle size _____
- 11B.** Rear angle frame of 1" x 1" x 3/16" mill finish steel completely assembled for field welding. Other angle size _____
- 12A.** Rear angle frame for bolting to sleeve. 1" x 1" x 3/16" steel with bolt holes 8" o.c. for 1/4" dia. bolts. No holes in sleeve. No bolts, nuts or washers. Other angle size _____
- 12B.** Same as **12A** with the addition of bolt holes in sleeve. (Advise wall or ceiling thickness). Other angle size _____
- 23.** Masonry anchors: 1/2" x 3" anchors 16" o.c., one per side minimum, welded to sleeve exterior. Other size or spacing _____
- 24.** Countersunk screw holes in face 10" o.c. with #10-24 x 2" long Torx security machine screws for 1-1/2" maximum ceiling thickness. 1" x 1" x 1/8" steel angle frame with matching holes and foldover nuts Requires 1-1/2" flange.
- 25.** Countersunk screw holes in face 10" o.c. with #10 x 1-1/2" long Torx security sheet metal screws. Other screw length _____

ACCESSORIES:

- 16F.** Face operated opposed blade damper tack welded into sleeve. Dampers are adjustable using flat bladed screwdriver with filter removed. (Requires on 3/16" dia. holes when 1/8" hole pattern used)
- 16R.** Rear operated opposed blade damper tack welded into sleeve. Dampers are adjustable using flat bladed screwdriver.
- 19.** 1/2" dia. A-36 steel bars 6" o.c., both ways (on sizes over 6" x 6") welded to sleeve and at intersections.
- Other:** _____

Qty.	Listed Size		Sleeve O.D. (Listed Size -1/4")		Masonry Opening (=Listed Size)		Sleeve Length L	Wall / Ceiling Thickness	Accessories	Mounting Option	Tag
	W	H	W	H	W	H					

To maintain KEES' policy of continuous product improvement, we reserve the right to change prices, specifications, ratings or dimensions without notice or obligation.

Project		Location	
Architect / Engineer			
Contractor	Dwg. No.	SEG-9HFG3SPw 04/10/17	
Representative	Date		