



- Ligature-resistant design
- ADA, ANSI, TAS and UFAS compliant
- Constructed of vandal-resistant Terreon® solid surface material
- Available in a variety of colors
- Choose Terreon or Terreon®RE
- Mount with optional surface bracket by Bradley or in-wall carriers by others

Specifications

Wall-hung single station fixture is designed to minimize ligature points. The preassembled sprayhead module is equipped with an independent streamformer that is served by an infrared sensing module and solenoid valve (Model HSL1/IRP), or an independent battery IR sensor and battery (Model HSL1/BIR3), TouchTime® electronic mechanical metering pushbutton (HSL1/TTPA), or TouchTime electronic piezo metering switch (HSL1/TTPB). Operating range is 20–80 psi.

Construction

Bowl and Sprayhead

Constructed of Terreon, a densified solid surface material composed of a bio-based resin, or TerreonRE, a densified solid surface material composed of a bio-based resin and preconsumer recycled granules. Terreon and TerreonRE are resistant to chemicals, stains, burns and impact. Surface damage can be easily repaired with everyday cleansers or fine grit abrasives. Terreon and TerreonRE are GREENGUARD® certified as low-emitting materials.

Trap Cover Options

Stainless Steel Access Panel

The stainless steel access panel option conceals all plumbing to minimize ligature points. The stainless steel access panel is constructed of 22 gauge type 304 stainless steel with a #4 finish. (4) ¼"-20 tamper proof fasteners and wall anchors are needed (supplied by installer).

High Impact Polymer Access Panel

The high impact polymer access panel offers a softer look with a neutral coal color. This unique design curves to the inside of the front apron to maximize ligature resistance and conceal all plumbing. This access panel features a full perimeter integral flange, pre-drilled with 6 mounting locations to help seal against wall imperfections. This material is highly resistant to impact, abrasion and corrosion.

Vandal and Ligature Resistance

The molded sprayhead is bolted securely to the lavatory bowl and sits flush to the bowl to minimize ligature points. The Terreon and TerreonRE bowls are resistant to chemicals, stains, burns and impact. Damage is repairable. The chrome plated brass streamformer and activation mechanism are secured to the unit from inside the sprayhead module. The infrared sensor will automatically shut off water flow after 30–45 seconds if a vandal attempts to trigger constant operation. Access panel completely conceals all valves, connections and other optional items underneath the deck.

Mounting

The HSL1 can be supported by a surface-mounted bracket supplied by Bradley or in-wall carriers supplied by others. The surface-mounted bracket is constructed of 1" square structural tubing and is zinc-plated mild steel. The surface-mounted bracket also includes a locking device and leveling screws.



Product Compliance

Listed by IAPMO R&T to

- Uniform Plumbing Code (UPC)
- National Plumbing Code of Canada
- International Plumbing Code (IPC)
- IGC 156 and the requirements of CSA B45.5/IAPMO Z124 and ASME A112.18.1/CSA B125.1



Listed by NSF International to

- NSF/ANSI 372



Complies with

- ADA
- ICC/ANSI 117.1
- TAS

Listed by UL Environment to

- GreenGuard Gold



Serves the American Disabilities Act and ICC/ANSI 117.1 guidelines, citations 306, 308, 309.4, 606.4, 606.5 when installed according to these requirements. Consult local codes and standards.



This plumbing fixture is designed for hand washing only. It is not intended to dispense water for human consumption through drinking or for preparation of food or beverages.



This plumbing fixture is non-cancelable and non-returnable.

Cape Cod Systems
888-227-8555
www.capecodsystems.com



Standard Equipment

Ligature resistant, individual bowl and sprayhead with 120VAC/12VDC plug-in adapter (Model HSL1/IRP, Model HSL1/TTPA and Model HSL1/TTPB). Battery included in HSL1/BIR3 only. The following fittings are provided: p-trap, grid strainer and tailpiece, flexible stainless steel supply connections and Navigator thermostatic mixing valve with stops.

Activation Types

Infrared

The streamformer is controlled by a slow-closing solenoid valve. Hands placed within the bowl are detected by an infrared sensor module, which activates a flow of tempered water to the streamformer at a rate of 0.50 gpm (1.9 Lpm). Shut-off is automatic after hands are removed from the detection area. The infrared sensor uses a conical shaped transmitting beam, having a detection area adapted to, but not exceeding, the bowl perimeter. The detection area projects forward 15° to each side and 15° below horizontal. The infrared sensor automatically adapts to the bowl after power is turned on. The infrared sensor is not affected by varying color tones or darkness. Direct sunlight or bright washroom lights will not activate the system. Includes solenoid valve and a low voltage plug-in adapter as standard equipment:

- Solenoid - 12VDC, 3/8" NPT. Few moving parts, and resistant to most chemicals, minerals, and impurities often present in municipal water supplies.
• Low Voltage Plug-In Adapter - UL/CSA listed, 120VAC/12V plug-in adapter. Plugs into a standard GFCI protected electrical outlet.

Battery Infrared

The battery-powered sensor uses a zone-focused infrared transmitting beam, creating a large detection area not exceeding the bowl perimeter. The sensor is not affected by varying skin tones or darkness. When hands enter the detection area, the sensor starts water flow by opening the valve electronically. Tempered water flows at a rate of 0.50 gpm (1.9 Lpm). When hands leave the detection area, the sensor stops the flow of water by closing the electronically activated solenoid valve. The 6V DC, electronically activated solenoid valve has few moving parts providing reliable operation which is unaffected by most chemicals and minerals often present in municipal water supplies. The station is powered by a single lithium battery. Battery type is Duracell® DL 223A 6V lithium or equivalent (batteries included) with a life expectancy of 4-5 years or approximately 200,000 cycles.

TouchTime

Each low voltage mechanical pushbutton or piezo switch actuates a non-hold-open, slow closing anti-hammer solenoid valve that is timed from an electronic potted assembly. The pushbutton activates the valve, which, in turn, activates tempered water flow at a rate of 0.10 gpc (0.38 Lpc). TouchTime controls water flow at each station through the use of solid-state, digital circuitry. Timing is factory set at a 15 second run time, but is field adjustable to pre-set timeout periods and optional auto-flush function. The 24 hour flush function will activate water flow for a period of 60 seconds any time there has been no activation within the past 24 hours. Pushbutton requires less than five pounds of pressure. Mechanical metering pushbutton and piezo metering switch are located on the top of the sprayhead.

Flow Control Rate

Operating range 20-80 psi. Flow restrictor keeps flow rate constant at all pressures.

Standard Selections (Must select one from each category)

Activation Type

Table with 2 columns: Activation Type (IRP, BIR3, TTPA, TTPB) and description (Infrared, Battery Infrared, TouchTime Pushbutton, TouchTime Piezo Switch)

Water Supply Type (select one)

Table with 2 columns: Water Supply Type (TMA, TL) and description (Navigator Thermostatic Mixing Valve, Single Tempered Line)

Color of Terreon Bowl/Sprayhead Cover (select one)

Standard Colors

Table with 4 columns: Color Name (CHAR, COBBLE, DRIFT, DUNE, E-GRAY, GRAPH, LANNON, LONDON, MOONSTONE, O-TAUPE, PEBBLE, PEP-WHT, SAND, S-CREEK, S-MIST, WHT-SAND) and description

Designer Colors (available at an additional charge)

Table with 4 columns: Designer Color Name (ARC-CHIP, COFFEE, RIVER) and description (Arctic Chip, Coffee Bean, Riverstone)

TerreonRE Colors (available at an additional charge)

Table with 4 columns: TerreonRE Color Name (BIRCH-BARK, DUSK, MOONDUST, OAT) and description (Birch Bark, Dusk, Moon Dust, Oat)

Access Panel Type (select one)

Table with 2 columns: Access Panel Type (STEEL, COAL) and description (Stainless Steel Access Panel, Coal High Impact Polymer Access Panel)

Mounting Type

Table with 2 columns: Mounting Type (BRKT, NONE) and description (Surface-Mounted Bracket, Customer-Supplied Carrier)

Waste Assembly Type

Table with 2 columns: Waste Assembly Type (S-POLY, S-CHROME) and description (Single Polypropylene P-Trap, Single Chrome-Plated P-Trap)

1 Select Terreon colors not available with IRP activation.
2 This color contains large, randomly distributed chips.
3 Non-cancelable, non-returnable

Cape Cod Systems
888-227-8555
www.capecodsystems.com



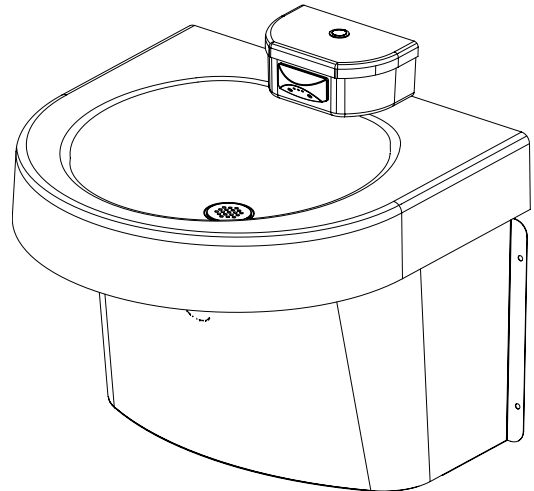
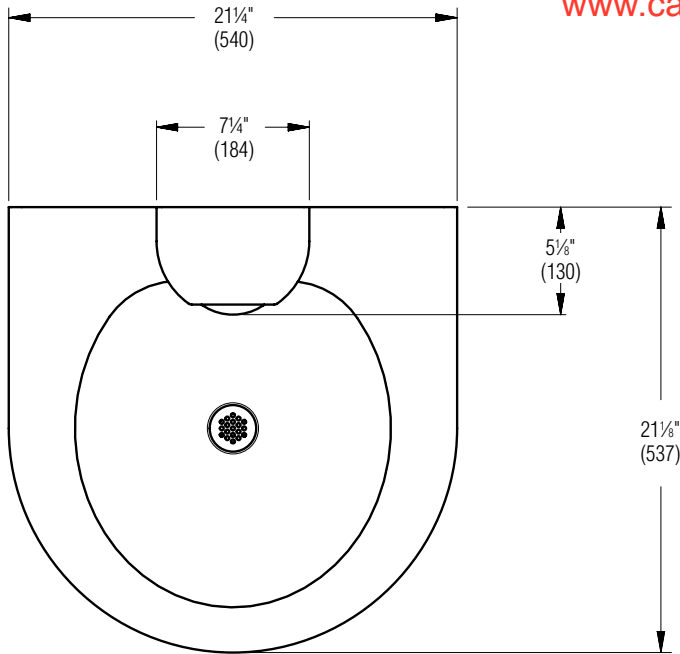
# HSL1 SafeCare™ Ligature-Resistant Single-Station Lavatory

## HSL1 – Dimensions (all activations)

Cape Cod Systems  
888-227-8555  
[www.capecodsystems.com](http://www.capecodsystems.com)

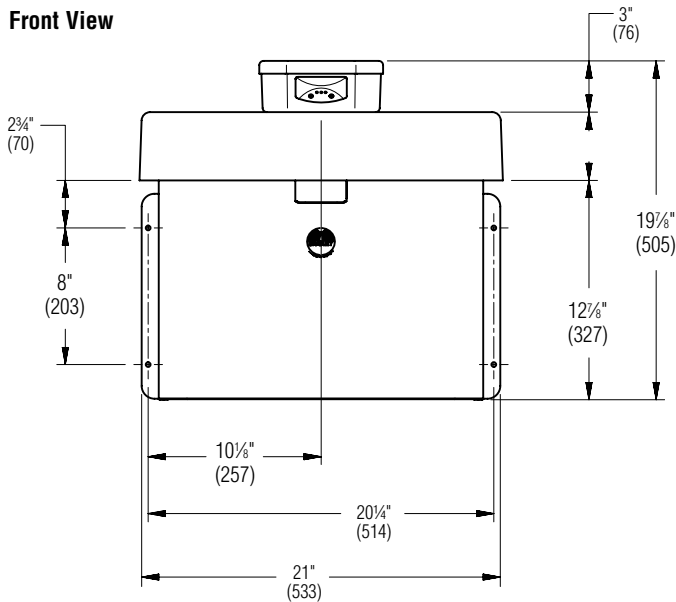
(mm)

### Top View

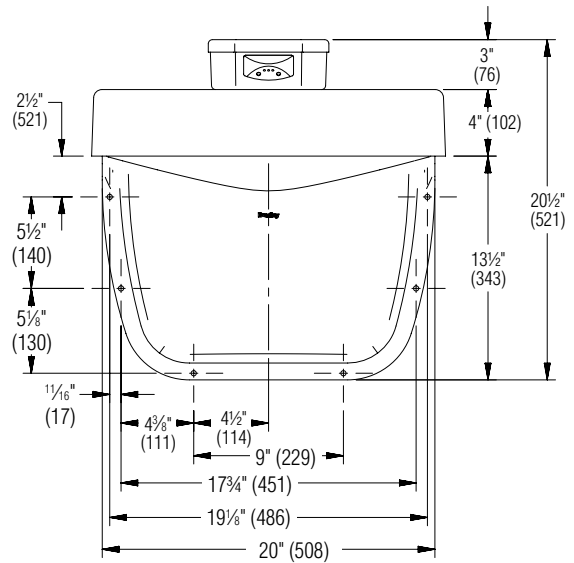


Representative of HSL1 with TouchTime activation.  
Dimensions shown apply to all activations.

### Front View



HSL1 with Optional Stainless Steel Access Panel



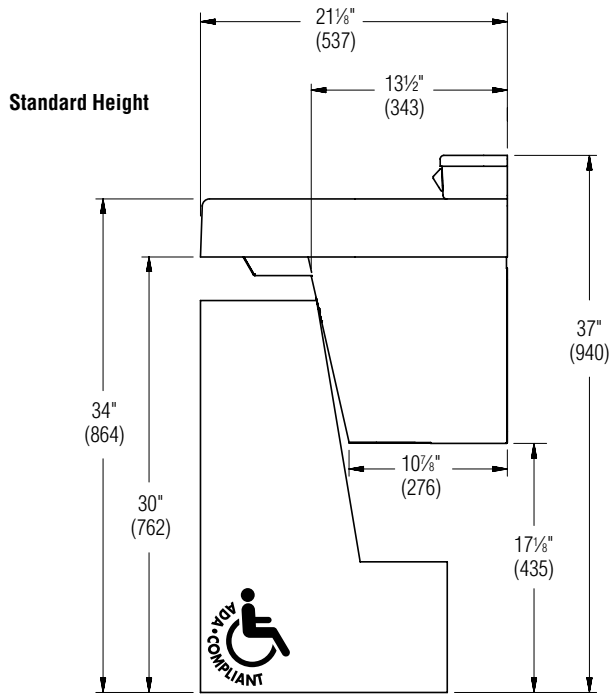
HSL1 with Optional Polymer Access Panel



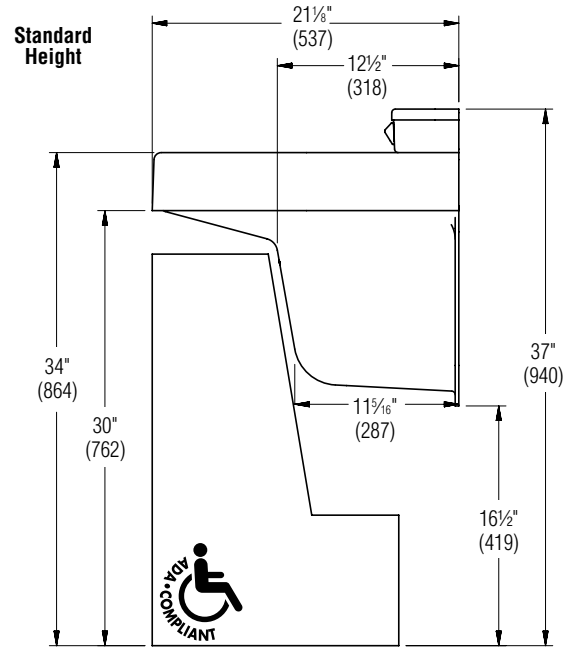
**HSL1 – Dimensions (all activations)**

(mm)

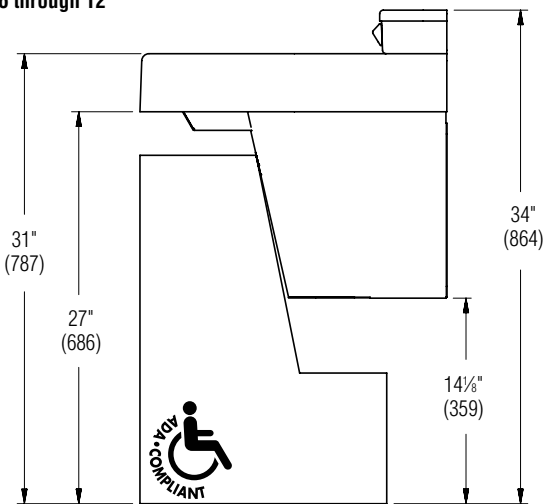
**Side View - Stainless Steel Access Panel**



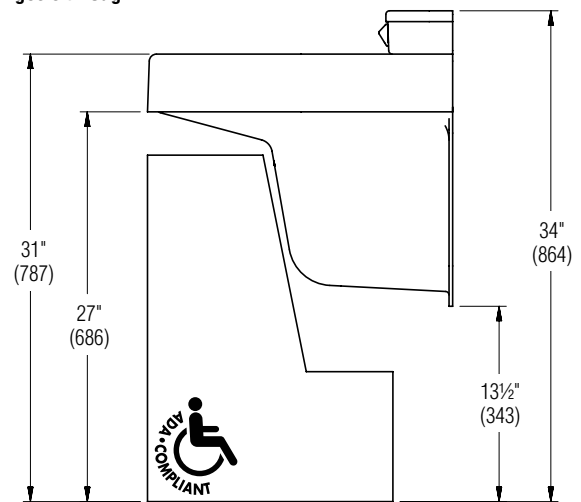
**Side View - Polymer Access Panel**



**Juvenile Height: Ages 6 through 12**



**Juvenile Height: Ages 6 through 12**

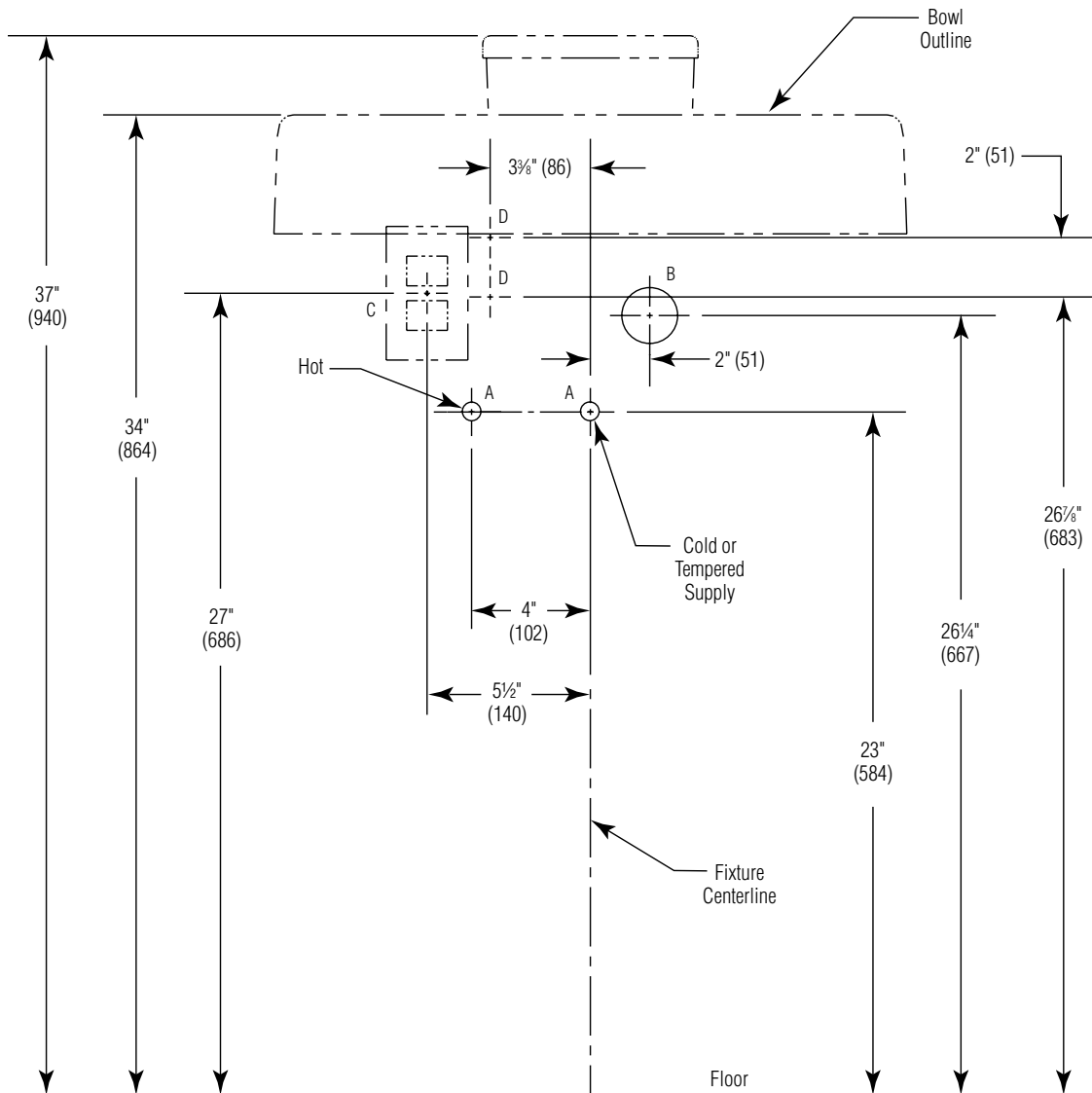




# HSL1 SafeCare™ Ligature-Resistant Single-Station Lavatory

HSL1 – Rough-In (all activations)

(mm)



**Chart 1**

Rim Height	Vertical Height Adjustments A – E	Fixture Style
34"	None	Standard Height
31"	Subtract 3"	Juvenile Height

**Chart 2**

Code	Description	Qty.
A	1/2" Nominal Copper Tubing for Hot/Cold Supplies, Stub-Out 2" from Wall	2
B	1 1/2" NPT Drain, Stub-Out 2" from Wall	1
C	110V GFCI Protected Electrical Outlet. Infrared and TouchTime Only	1
D	#10 Fasteners/Wall Anchors, Optional	2