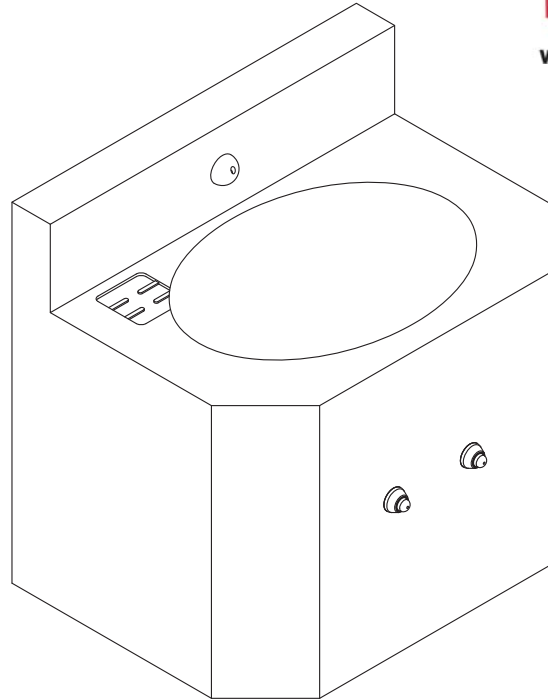


HS-1013-96-FA Stainless Steel 18" Wide Front Mounted Rectangular Cabinet Lavatory

Cape Cod Systems
888-227-8555
www.capecodsystems.com



(Unit may be shown with optional features)

To specify fixture and accessories, use the Model Number and Options page.
Example: To specify an 18" Wide, Front Mounted, Rectangular Cabinet Lavatory with ligature-resistant bubbler, dual temp. pneumatic metering valve, ligature-resistant pneumatic push buttons, and removable p'-trap
Use the following Willoughby Model Number:
HS-1013-96-FA-BPH-PML2-PBH-RPT

Recommended Specifications

Stainless Steel, 18" Wide, Front Mounted, Rectangular Cabinet Lavatory shall be: Willoughby Model No. **HS-1013-96-FA**
(Select from model number and options list on next page)

Fixture shall be fabricated from 14 GA., Type 304 stainless steel. The construction shall be all welded, with exposed stainless surfaces polished to a #4 satin finish.

Standard lavatory shall include:

- Oval-shaped bowl, 13" x 9-1/2" x 6" deep
- Stainless steel penal bubbler/filler
- Fast drain with air vent
- (1-1/2") slip joint, cast brass 'p'-trap
- Removable bottom panel attached w/ vandal resistant screws
- Self-draining soap dish
- 0.5 GPM flow rate

Anchoring shall be from the front with 'z'-clip and anchoring holes provided. Anchoring hardware by others. Unit requires no chase area for installation and maintenance.



WARNING: Cancer and Reproductive Harm

- www.P65Warnings.ca.gov

visit our website at www.willoughby-ind.com
5105 West 78th Street • Indianapolis, IN. 46268
(317) 875-0830 • Fax: (317) 875-0837 • (800) 428-4065



MADE IN THE U.S.A.

MODEL NUMBER AND OPTIONS:

1.) Base Model Number:

- HS-1013-96-FA Stainless Steel, 18" Wide, Front Mounted, Rectangular Cabinet Lavatory

2.) Bubblers Selection:

- BPH Ligature-resistant Bubbler/Filler (Standard)**
- BC Code Bubbler/Filler (w/ Non Ligature-Resistant Mouth Guard)
- FLH Ligature-resistant Lav. Filler**

3.) Lavatory Valve Selection:

- NV No Valve
- PSL1 Single Temp. Pneumatic Non-metering
- PSL2 Dual Temp. Pneumatic Non-metering
- PML1 Single Temp. Pneumatic Metering
- PML2 Dual Temp. Pneumatic Metering
- E1L1 Single Temp. Electronic (pick control)*
- E1L2 Dual Temp. Electronic (pick control)*

4.) Lavatory Valve Actuation:

- PBH Ligature-resistant Pneumatic Push Buttons**
- PZPB Ligature-resistant Piezo Electronic Push Buttons**

5.) Electronic Controls* (Must Use Electronic Push Button):

- WUCC-3010 Pneutronic WMSII
- (The WUCC-3010 Control can be used to pair a Lavatory with a Toilet)

6.) Lavatory Waste:

- RPT Removable 'P'-Trap (Standard)
- OV Lavatory Overflow
- SLOW Slow Drain

7.) Options:

- MT Wall Template
- TB1 Single Toothbrush Holder
 - Right Left
- TB2 Dual Toothbrush Holder
 - Right Left
- TF24H Hard-wired Transformer, 110VAC to 24VAC*
- TF24P Plug-in Transformer, 110VAC to 24VAC*
- TH1 Single Towel Hook
 - Right Left
- TH2 Dual Towel Hook
 - Right Left
- ISH Integral Shelf
- Other: _____
- Other: _____

*(Req. 110V power through ground fault interrupter (GFCI) receptacle / breaker)

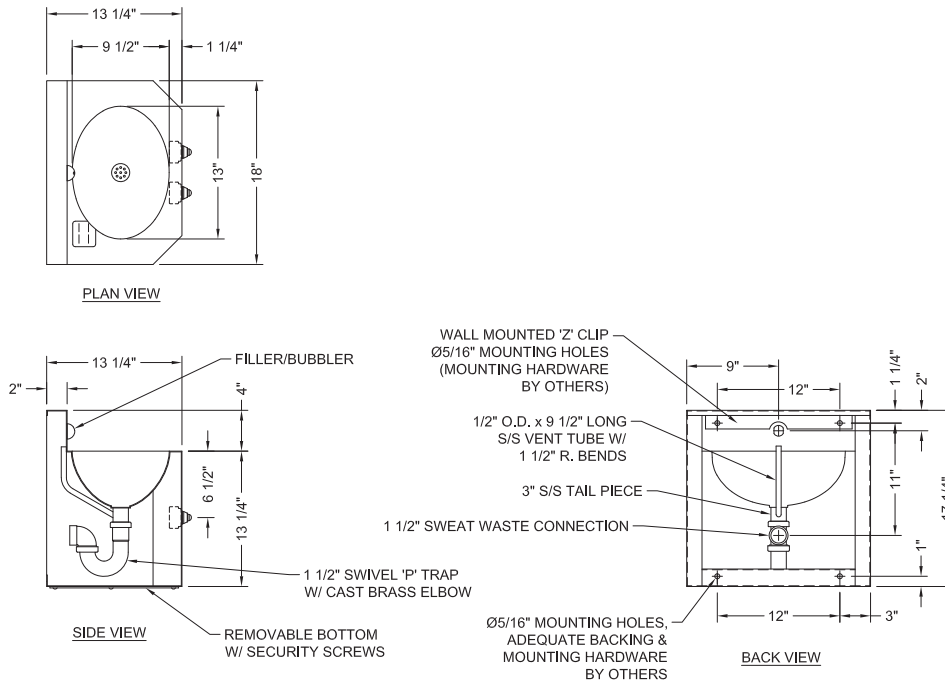
**LIGATURE-RESISTANT DISCLAIMER

This product is designed to minimize ligature points. While every effort has been made to reduce the possibility of ligature points, this product does not eliminate all risks. Ligature-Resistant products by Willoughby Industries are to be used in conjunction with, not as a replacement for, trained professionals.

Cape Cod Systems
888-227-8555
www.capecodsystems.com

Approved For Manufacturing By: _____ Date: _____ Company: _____
 Wall Thickness: _____ Wall Type: _____

VERIFY ALL DIMENSIONS WITH FACTORY PRIOR TO ROUGH-IN
 WILLOUGHBY RESERVES THE RIGHT TO MAKE CHANGES IN DESIGN AND DIMENSIONS WITHOUT FORMAL NOTICE AND WITHOUT INCURRING OBLIGATION.



visit our website at www.willoughby-ind.com
 5105 West 78th Street • Indianapolis, IN. 46268
 (317) 875-0830 • Fax: (317) 875-0837 • (800) 428-4065



MADE IN THE U.S.A.