

Flotronic Shower Pan

FLOT6032L/FLOT6032R

60" x 32" Shower Pan

Dimensions	Material	Technical	Barrier Free
60" x 32" x 2 ^{1/2} "	Anti-microbial Solid Surface	Allows for 3" strainer	not compliant

Material and Construction

The shower pan is made from anti-microbial solid surface. AquaDesign's solid surface is a composite material of acrylic polyester polymer resins and aluminum trihydrate fillers. The material is resistant to stains and burns and complies with ANSI Z124.3. The shower pan is available in 11 colors.

The shower includes a slip resistant textured pattern floor. The shower pan includes an integral water dam. The pan has a minimum of 1/4" per foot slope. The slope is specifically designed to slope away from the shower entrance.

Anti-Microbial

The shower pan is manufactured with an anti-microbial agent. The agent is present both on the surface and on the inside of the material and will not dissipate or scratch off. In contact with moisture, anti-microbial ions will be released and effectively kill bacteria.

Maintenance and Cleaning

Stubborn stains and superficial scratches can be cleaned with an abrasive cleaner and a wet sponge. You can also use a green Scotch Brite® pad. For surface staining soapy water or ammonia based cleansers are recommended.

Anti-ligature Drain

As an option the shower pan can be supplied with an anti-ligature drain. The drain can be supplied with bushing for installation on drain bodies by other.

001 Base Model Number (must specify)	<input type="checkbox"/> FLOT6032LD	Drain on Left Side
	<input type="checkbox"/> FLOT6032RD	Drain on Right Side
002 Color (must specify)	<input type="checkbox"/> -AB	Adobe Brown
	<input type="checkbox"/> -AW	Ash White
	<input type="checkbox"/> -BF	Black Forrest
	<input type="checkbox"/> -CO	Concrete Grey
	<input type="checkbox"/> -ES	Egyptian Sand
	<input type="checkbox"/> -MB	Midnight Blue
	<input type="checkbox"/> -MG	Misty Grey
	<input type="checkbox"/> -PB	Pearl Black
	<input type="checkbox"/> -PW	Polar White
	<input type="checkbox"/> -SA	Sandstone
	<input type="checkbox"/> -TG	Twilight Grey
003 Drain	<input type="checkbox"/> -303077XN	Anti-ligature Drain
004 Drain Options for Anti-Ligature Drain	<input type="checkbox"/> -JO	Bushing for Josam 30000 series
	<input type="checkbox"/> -JR	Bushing for JR Smith 2000 series
	<input type="checkbox"/> -ZU	Bushing for Zurn Z415 & Z2321 series, Watts FD100 series, and Mifab F1000 series

Approved by:

Name: _____

Title: _____

Signature: _____

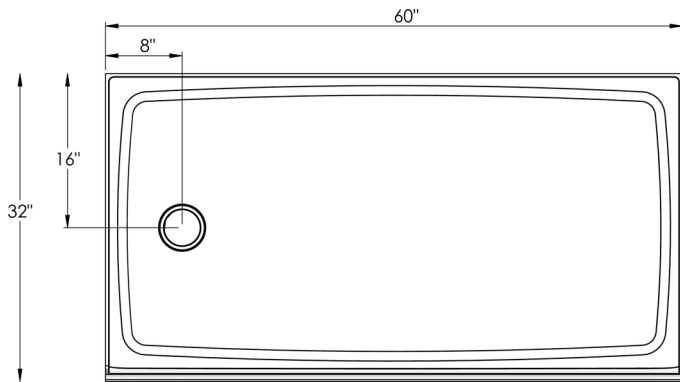
Date: _____



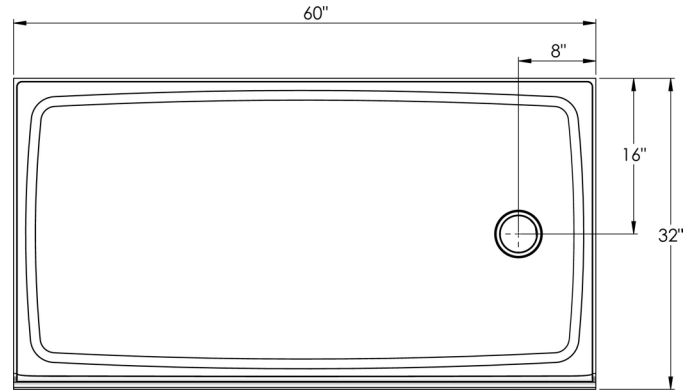
WARNING: Cancer and Reproductive Harm
www.P65Warnings.ca.gov

Dimensions

Cape Cod Systems Corporation
Tel. 1-888-227-8555



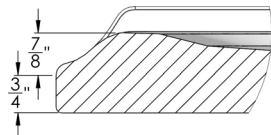
Drain Right (FLOT6032DR)



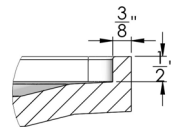
Drain Left (FLOT6032DL)



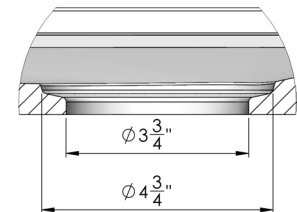
Front



Low Profile Threshold



Edge Detail



Drain Opening Detail