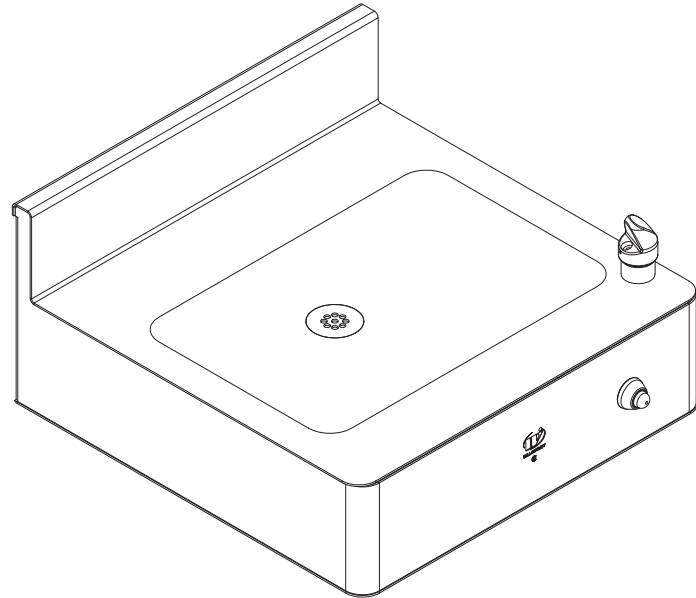


DF-1015-96-HC Stainless Steel Handicap-ADA Compliant Rear Mounted Drinking Fountain

**CAPE COD SYSTEMS
CORPORATION
TEL. 1-888-227-8555**



(Unit may be shown with optional features)

Recommended Specifications

To specify fixture and accessories, use the Model Number and Options page.
Example: To specify a Handicap-ADA Compliant, Rear Mounted Drinking Fountain with standard drinking fountain bubbler, standard single temp. non-metering pneumatic valve and ligature-resistant push button, and standard elbow waste
Use the following Willoughby Model Number:
DF-1015-96-HC-CDB-PSL1-PBH-EB

Stainless Steel, Handicap-ADA Compliant, Rear Mounted Drinking Fountain shall be:
Willoughby Model No. **DF-1015-96-HC**
(select from model number and options list on next page)

Fixture shall be fabricated from 14 gauge, type 304 stainless steel. The construction shall be all-welded, with exposed stainless surfaces polished to a #4 satin finish.

Standard equipment shall include:

- Rectangular-shaped basin, 13" x 9-1/2" x 1-1/2" deep
- Integral fast drain with air vent
- (CDB) stainless steel drinking fountain bubbler
- (PSL1) Single temperature, non-metering pneumatic valve w/ (PBH) ligature-resistant pneumatic push button
- (EB) Elbow Waste (1-1/2" Plain End)

Cabinet interior shall be sound deadened with fire-resistant material.

Mounting:

Anchoring shall be by standard 4-point system: 1/2" threaded rods, nuts and washers shall be furnished for walls up to 8" thick.

Unit shall require chase area for installation and maintenance.

Vandal Resistance:

All push buttons and escutcheons are secured to the unit from within the fixture. Valves, water supplies, and waste connections are concealed within.



WARNING: Cancer and Reproductive Harm

- www.P65Warnings.ca.gov



MODEL NUMBER AND OPTIONS:

1.) Drinking Fountain Model:

- DF-1015-96-HC Stainless Steel, Handicap-ADA Compliant, Rear Mounted Drinking Fountain

2.) Bubblers Selection:

- CDB Drinking Fountain Bubbler (Standard)
 DMBH Deck Mounted Ligature-resistant Bubbler*

3.) Valve Selection:

- PSL1 Single Temp. Pneumatic Non-metering (Standard)

4.) Push Button Selection:

- PBH Ligature-resistant Pneumatic Push Button (Standard)*

5.) Drinking Fountain Waste:

- EB Elbow Waste (1-1/2" Plain End) (Standard)
 PT Integral 'P'-Trap
 LWE Lavatory Waste Extension (Specify if more than 3")
 LW1 Thru-Wall Extension, 'P'-Trap and Clean-Out
 LWC1 Coupling, 1-1/2" Tube to 1-1/2" Tube
 LWC2 Coupling, 1-1/2" Tube to 1-1/2" PVC/Cast Iron

6.) Other Options:

- MT Wall Template
 WS Wall Sleeve (Requires Accessible Chase)
 DC Decorator Color (White)
 Other: _____
 Other: _____

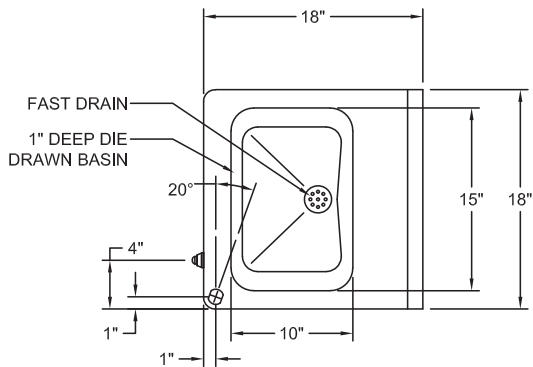
*LIGATURE-RESISTANT DISCLAIMER

This product is designed to minimize ligature points. While every effort has been made to reduce the possibility of ligature points, this product does not eliminate all risks. Ligature-Resistant products by Willoughby Industries are to be used in conjunction with, not as a replacement for, trained professionals.

Cape Cod Systems Corporation
Tel. 1-888-227-8555
www.capecodsystems.com

Approved For Manufacturing By: _____ Date: _____ Company: _____
 Wall Thickness: _____ Wall Type: _____

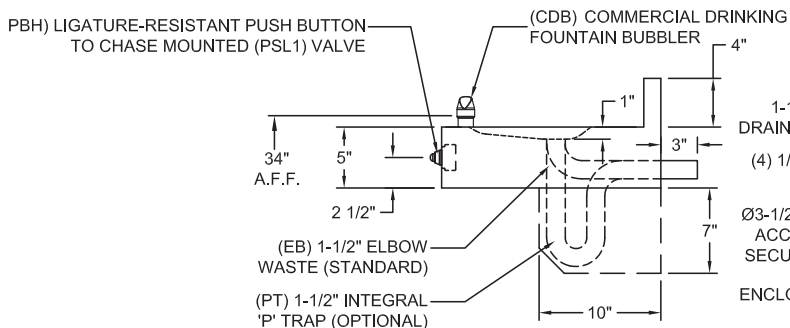
VERIFY ALL DIMENSIONS WITH FACTORY PRIOR TO ROUGH-IN
 WILLOUGHBY RESERVES THE RIGHT TO MAKE CHANGES IN DESIGN AND DIMENSIONS WITHOUT FORMAL NOTICE AND WITHOUT INCURRING OBLIGATION.



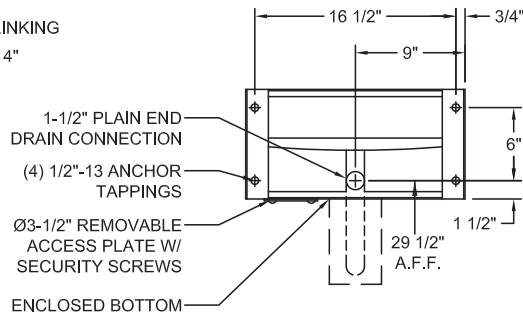
PLAN VIEW

IN COMPLIANCE WITH A.D.A. 2010

NOTE:
 33" RIM HEIGHT SHOWN, 34" BUBBLER (34" AND 36" MAX ADULT ADA HEIGHTS, RESPECTIVELY) ADJUST DIMENSIONS ACCORDINGLY FOR ALTERNATE HEIGHTS



SIDE VIEW



REAR VIEW

