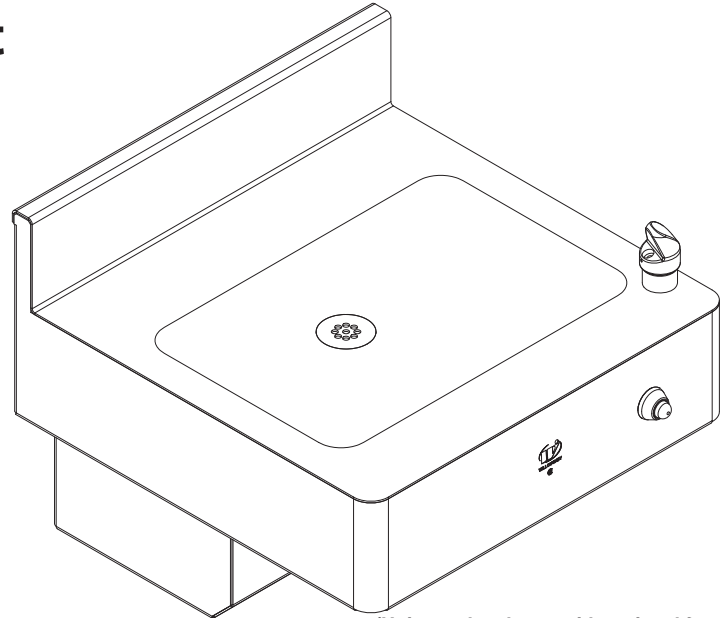


DF-1015-96-HC-FA Stainless Steel Handicap-ADA Compliant Front Mounted Drinking Fountain

CAPE COD SYSTEMS
CORPORATION
TEL. 1-888-227-8555



(Unit may be shown with optional features)

To specify fixture and accessories, use the Model Number and Options page.
Example: To specify a Handicap-ADA Compliant, Front Mounted Drinking Fountain with standard drinking fountain bubbler, standard single temp. non-metering pneumatic valve and ligature-resistant push button, and standard removable 'p'-trap
Use the following Willoughby Model Number:
DF-1015-96-HC-FA-CDB-PSL1-PBH-RPT

Recommended Specifications

Stainless Steel, Handicap-ADA Compliant, Front Mounted Drinking Fountain shall be:

Willoughby Model No. **DF-1015-96-HC-FA**
(select from model number and options list on next page)

Fixture shall be fabricated from 14 gauge, type 304 stainless steel. The construction shall be all-welded, with exposed stainless surfaces polished to a #4 satin finish.

Standard equipment shall include:

- Rectangular-shaped basin, 14-1/2" x 10" x 1" deep
- Integral fast drain with air vent
- (CDB) stainless steel drinking fountain bubbler
- (PSL1) Single temperature, non-metering pneumatic valve w/ (PBH) ligature-resistant pneumatic push button
- (RPT) slip joint, cast brass union 'p'-trap (1-1/2")
- Removable bottom panel attached w/ vandal resistant screws

Cabinet interior shall be sound deadened with fire-resistant material.

Mounting:

Anchoring shall be from the front with 'z'-clip and anchoring holes provided. Anchoring hardware by others.

Unit requires no chase area for installation and maintenance.

Vandal Resistance:

All push buttons and escutcheons are secured to the unit from within the fixture. Valves, water supplies and waste connections are concealed within the fixture and pipe shroud. The pipe shroud is removable and secured with vandal resistant security screws.

ADA and ANSI Compliant:

When the drinking fountain is mounted at standard 36" bubbler height, it is designed to comply with applicable ADA and ANSI Z124.3 and Z124.6 accessibility guidelines.



WARNING: Cancer and Reproductive Harm

- www.P65Warnings.ca.gov



MODEL NUMBER AND OPTIONS:

1.) Drinking Fountain Model:

- DF-1015-96-HC-FA Stainless Steel, Handicap-ADA Compliant,
Front Mounted Drinking Fountain

2.) Bubbler Selection:

- CDB Drinking Fountain Bubbler (Standard)
 DMBH Deck Mounted Ligature-resistant Bubbler*

3.) Valve Selection:

- PSL1 Single Temp. Pneumatic Non-metering (Standard)

4.) Push Button Selection:

- PBH Ligature-resistant Pneumatic Push Button (Standard)*

5.) Drinking Fountain Waste:

- RPT Slip Joint, Cast Brass Union 'P'-trap (Removable, 1-1/2") (Standard)

6.) Other Options:

- MT Wall Template
 DC Decorator Color (White)
 Other: _____
 Other: _____

*LIGATURE-RESISTANT DISCLAIMER

This product is designed to minimize ligature points. While every effort has been made to reduce the possibility of ligature points, this product does not eliminate all risks. Ligature-Resistant products by Willoughby Industries are to be used in conjunction with, not as a replacement for, trained professionals.

Cape Cod Systems Corporation

Tel. 1-888-227-8555

www.capecodsystems.com

Approved For Manufacturing By: _____ Date: _____ Company: _____
Wall Thickness: _____ Wall Type: _____

VERIFY ALL DIMENSIONS WITH FACTORY PRIOR TO ROUGH-IN
 WILLOUGHBY RESERVES THE RIGHT TO MAKE CHANGES IN DESIGN AND DIMENSIONS WITHOUT FORMAL NOTICE AND WITHOUT INCURRING OBLIGATION.

