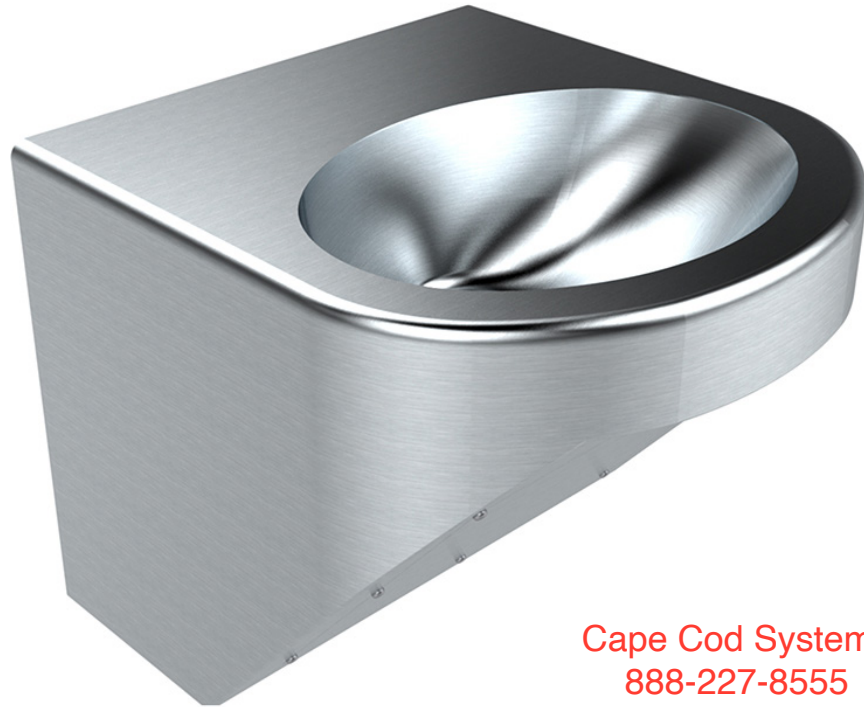


DISABLED HAND BASIN

6.06

HAND BASINS

#HBDA / DISABLED HAND BASIN



Scan QR code to view online



Cape Cod Systems
888-227-8555
www.capecodsystems.com

features and benefits

- Compliant with disability code - AS1428
- Optimal vandal resistance
- Fully welded, seamless construction
- Completely concealed plumbing
- P trap installation
- Rolled safety fascia
- 40mm waste outlet supplied
- Stylish, modern design
- Vandal resistant access panel
- Choice of disabled compliant tapware - AS1428
- 7 litre bowl capacity
- Suits public amenities, schools, sporting clubs, bars and correctional institutions

about

The *BRITEX Stainless Steel Disabled Hand Basin* is a vandal resistant fixture that is designed to conform to Australian Standards for disability access - AS1428 - and is ideal for use in public amenities, night clubs, pavilions and correctional institutions. Fabricated from heavy duty stainless steel with a rolled safety fascia, a 40mm waste outlet and can be supplied with fully certified disabled compliant tapware.

sample spec. text

BRITEX S.S. Disabled Hand Basin - 445 x 470 x 380D O/A. Supplied complete with XXXX tapware, rolled safety fascia, access panel, mounting bracket and 40mm waste outlet. AS1428 compliant - Product Code HBDA-TW-XXXX

NB Please refer to reverse page for tapware and basin options

*RED TEXT may denote a **variable** where one option only is to be selected, a **nominal dimension** that needs to be specified, or an **optional feature** that can be removed if not required. Please refer to the back of this page for additional specification details and options.

VISIT BRITEX.COM.AU TO DOWNLOAD BIM FILES, CAD DRAWINGS AND THE MOST CURRENT PRODUCT LITERATURE.



MELBOURNE
Britex Place, Mirra Crt
Bundoora VIC 3083
t (03) 9466 9000
f (03) 9466 9011

SYDNEY
16 Northumberland Drv
Taren Point NSW 2229
t (02) 9531 2100
f (02) 9531 2800

PERTH
14 Capital Rd
Malaga WA 6090
t (08) 9249 5464
f (08) 9248 6893

BRISBANE
19 Manila St
East Brisbane QLD 4169
t (07) 3363 2400
f (07) 3363 2444

ADELAIDE
The Britex Group
SA State Office
t 1300 764 744
f 1300 784 306

britex.com.au | info@britex.com.au | A.B.N 83 004 309 737

DISABLED HAND BASIN

PRODUCT CODE

HBDA Basin only - no tapware

HOW TO SPECIFY: Disabled Hand Basin

Sample Specification Code

A **B**
HBDA - TW-9108

= Disabled Hand Basin with Timed Flow Lever Pillar Tap

Specification Key

A = Product Code

B = Tapware - if required
 (see below for suggested tapware options)

Suggested Tapware Options:

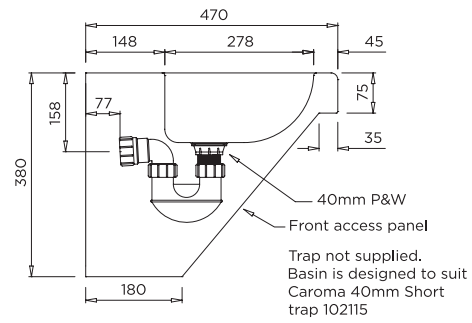
(see Tapware Section: 11 for complete range of options)



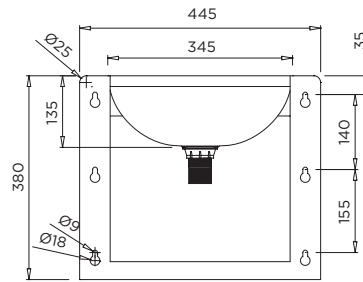
TW-9108
 Timed Flow Lever
 Pillar Tap



TW-MIX-L
 Fixed Basin Mounted
 Lever Mixer

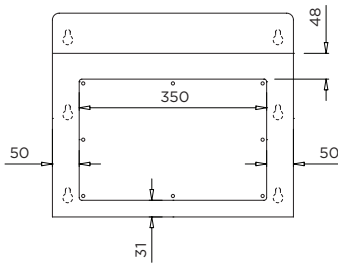


MODEL HBDA Side Elevation

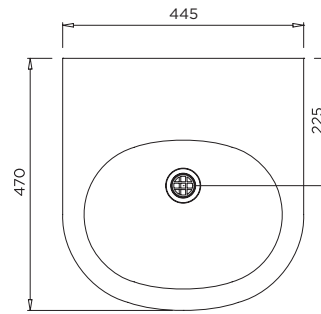


MODEL HBDA Rear Elevation

Cape Cod Systems
 888-227-8555
www.capecodsystems.com



MODEL HBDA Front Elevation



MODEL HBDA Plan

When specifying this product please include:

- Product Name and Code
- Product Dimensions
- Tapware details (if required)

specifying guide

options

- Tap holes
- Tapware - see Tapware Section: 11
- Anti-ligature Security Waste - ALWO-40
- Integral Splashback - up to 300mm high

VISIT BRITEX.COM.AU TO DOWNLOAD BIM FILES, CAD DRAWINGS AND THE MOST CURRENT PRODUCT LITERATURE.

Last Revised 2019



Due to ongoing research and our commitment to product development, details are subject to change without notice. Details accurate at time of print. Please refer to britex.com.au for the most current product information. Allow +/- 5mm tolerance for dimensions and setouts shown in product literature.

britex.com.au | info@britex.com.au | A.B.N 83 004 309 737

